

Excellent Integrated System Limited

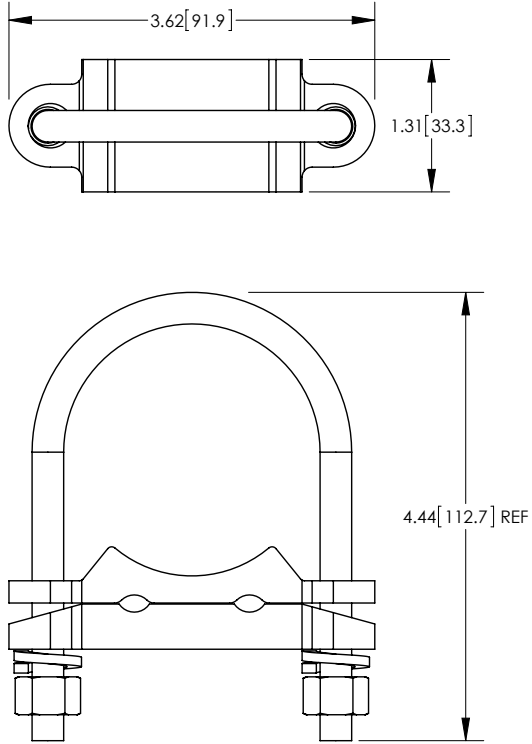
Stocking Distributor

Click to view price, real time Inventory, Delivery & Lifecycle Information:

[Panduit](#)
[GU-11-X](#)

For any questions, you can email us directly:
sales@integrated-circuit.com

THIS COPY IS PROVIDED ON A RESTRICTED BASIS AND IS NOT TO BE USED IN ANY WAY DETRIMENTAL TO THE INTERESTS OF PANDUIT CORP.



- NOTES:
- MATERIAL:
BODY: BRONZE (GUN METAL)
NUT/WASHER: PHOS. BRONZE
 - PARTS ARE cULus LISTED TO UL467 AS
GROUNDING & BONDING EQUIPMENT
 - RATED FOR DIRECT BURIAL
 - DIMENSIONS IN PARENTHESIS ARE MILLIMETERS.
 - PACKAGING QTY:
X = 10



PART NUMBER	DESCRIPTION	WIRE RANGE	PIPE SIZE
GU-11-X	GROUND CLAMP CONNECTOR	4 SOL - 2/0 STR	2"

REV	DATE	BY	CHK	APR	DESCRIPTION	ECN	TITLE	ITEM REVISION NAME	DATASET FILE NAME	MATERIAL	DRAWING NUMBER	SIZE
00	9/13	JHNU	SRBI	RGB	DRAWING RELEASED	13J051AD-JC	GROUND CLAMP (GU-11-X) CUSTOMER DRAWING	13J051AD/00	13J051AD-JC/00.SLDDRW	UNLESS OTHERWISE SPECIFIED, DIMENSIONAL TOLERANCES ARE: IN [mm] .X ± .XXX ± .XX ± .2 [5.2] ANGLES ±	SEE NOTES	A
							THIRD ANGLE PROJECTION				13J051AD-JC	
							DRAWN BY: JHNU	DATE: 9/13	CHK: SRBI	SCALE: NONE	SHEET 1 OF 1	