

Excellent Integrated System Limited

Stocking Distributor

Click to view price, real time Inventory, Delivery & Lifecycle Information:

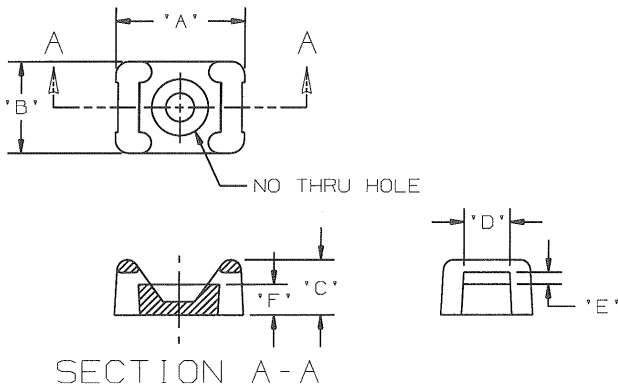
[Panduit](#)
[TM1.5A-C](#)

For any questions, you can email us directly:

sales@integrated-circuit.com

THIS COPY IS PROVIDED ON A RESTRICTED BASIS AND IS NOT TO BE USED IN ANY WAY DETRIMENTAL TO THE INTERESTS OF PANDUIT CORP.

PANDUIT PART NO.	'A'	'B'	'C'	'D'	'E'	'F'	USE WITH THESE CABLE TIE CROSS SECTIONS	WEIGHT (g) lbs/100 pcs
TM1.5A	.586 (14.9) ±0.020	.375 (9.5)	.274 (7.0)	0.210 (5.3) ±0.020	0.058 (1.5) ±0.020	0.152 (3.9)	MINIATURE INTERMEDIATE STANDARD	0.096 (43.4)



NOTES:

- SEE CURRENT PRICE SHEET FOR PART NUMBER SUFFIX DESIGNATION FOR PACKAGE SIZE.
- CUSTOMER MUST SUPPLY ADHESIVE FOR FASTENING.

DIMENSIONS IN BRACKETS ARE METRIC [mm]	
CAD FILENAME/LAYERS G03597JV_DC_GB0239MZ/00B	
PANDUIT CORP. TINLEY PARK, ILLINOIS	
TIE MOUNT - TM1.5A	
UNLESS OTHERWISE SPECIFIED, DIMENSIONAL TOLERANCES ARE: (.X) ±0.05 (1.3) (.XXX) ±0.010 (0.25) (.XX) ±0.02 (0.5) ANGLES ±5°	UNLESS OTHERWISE SPECIFIED, ALL DIMENSIONS ARE GIVEN IN INCHES, THIRD ANGLE PROJECTION.
DRAWN BY: ARHA	MAT'L: NYLON 6/6 NATURAL
DATE: 10/01/08	SCALE: NONE
CHK'D:	DRAWING NO. GB0239MZ
	DWG SIZE: A

REV	DATE	BY	CHK	DESCRIPTION	ECN	R	CUST	SUP	QC
00B	10/13/08	PSG		CHANGED TOLERANCE OF DIM 'A'	GB0239MZ	00B			
00A	10/01/08	ARHA		INITIAL RELEASE	GB0239MZ	00A			