

Excellent Integrated System Limited

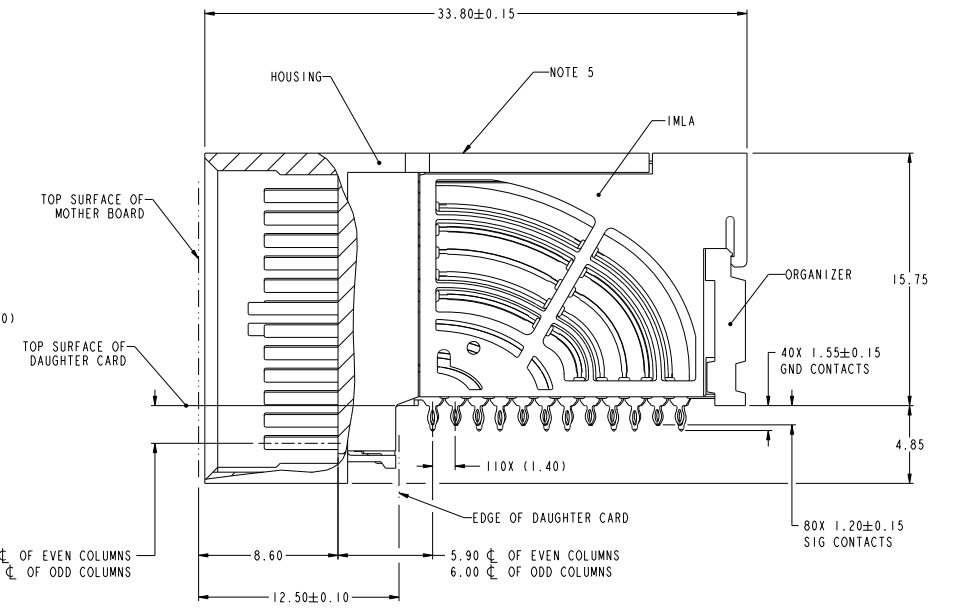
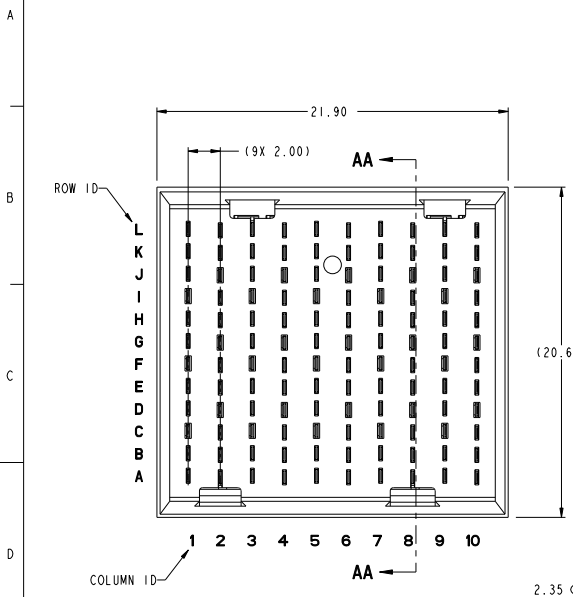
Stocking Distributor

Click to view price, real time Inventory, Delivery & Lifecycle Information:

[FCI](#)
[10120001-101LF](#)

For any questions, you can email us directly:
sales@integrated-circuit.com

PRODUCT NUMBER
SEE SHEET 3

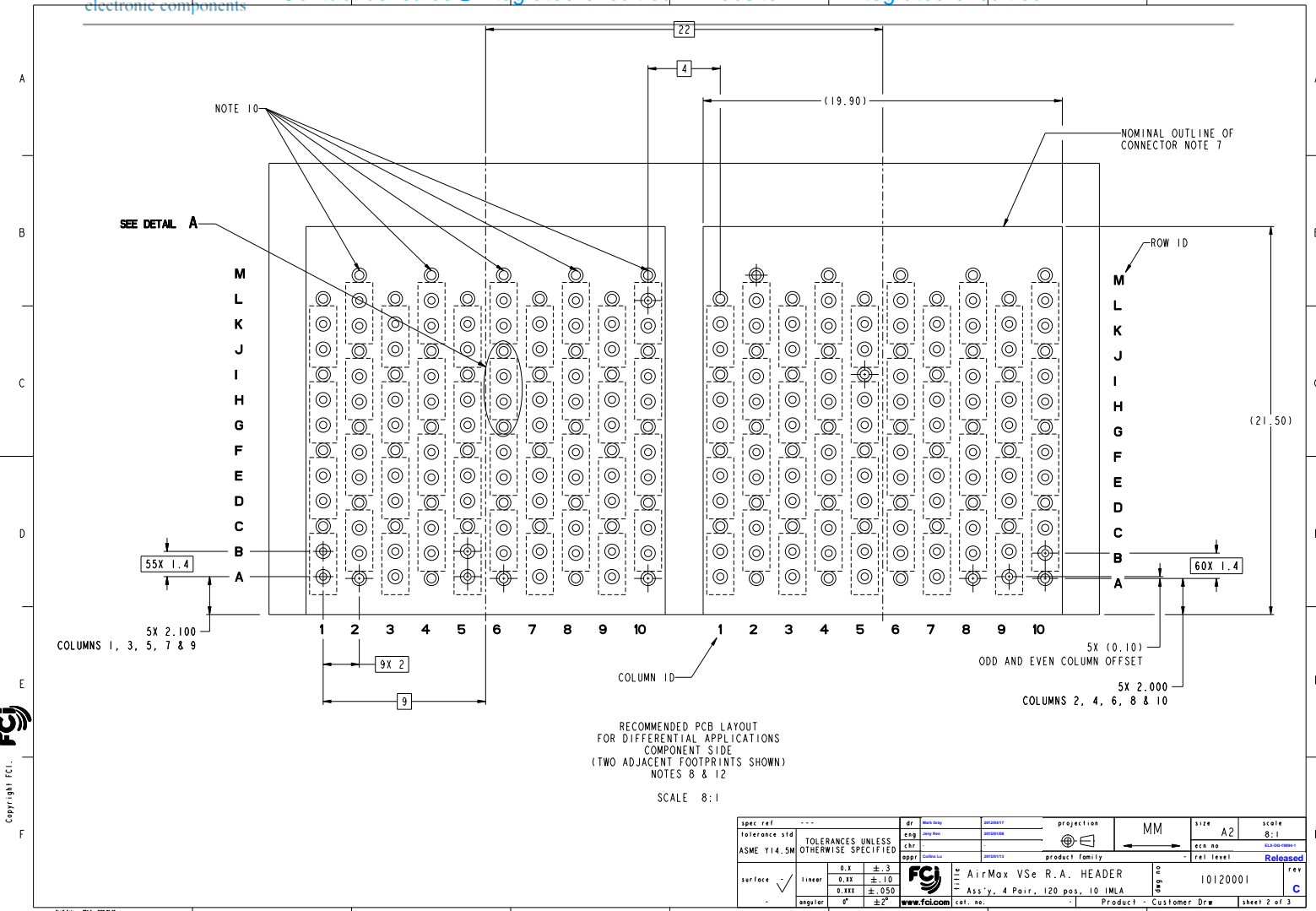


SECTION AA-AA

Copyright FCI

spec. ref.	---	dr.	...	projection	MM	size	A2	scale	10:1
tolerance std	ASME Y14.5M	eng	...	product family		ecc no		rel level	Released
TOLERANCES UNLESS OTHERWISE SPECIFIED		FCI		AirMax VSe R.A. HEADER		eng no	10120001	rev	C
surface	linear	0.X	±.3	Ass'y, 4 Pair, 120 pos, 10 IMLA		cat. no.		Product	Customer Draw
	angular	0.XX	±.10	Product		Customer Draw	sheet 1 of 3		
		0.XXX	±.050	Product		Customer Draw	sheet 1 of 3		
			±2°	Product		Customer Draw	sheet 1 of 3		

PDS: Rev: C STATUS: Released Printed: Jun 16, 2015



spec. ref	---	dr	...	projection	MM	size	A2	scale	8:1
tolerance std	ASME Y14.5M	eng
TOLERANCES UNLESS OTHERWISE SPECIFIED									
surface	linear	0.X	±.3	FCI	AirMax VSe R.A. HEADER	eng no	10120001	rev	C
		0.XX	±.10		Ass'y, 4 Pair, 120 pos, 10 IMLA	cat. no.			
	angular	0°	±2°	www.fci.com		Product	Customer Draw	sheet	2 of 3

PDS: rev:C

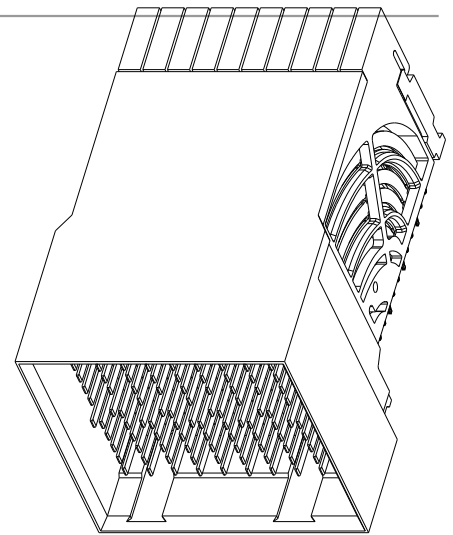
STATUS: Released

Printed: Jun 16, 2015

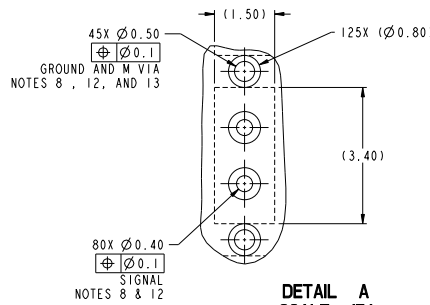
Copyright FCI

PRODUCT NUMBER	PRESS-FIT TAIL PLATING TYPE
10120001-101	TIN/LEAD ALLOY OVER NICKEL
10120001-101LF	TIN OVER NICKEL (LEAD FREE)

- 1 - CONNECTOR MATERIALS:
HOUSING: HIGH TEMP THERMOPLASTIC, NATURAL, UL94-V0
IMLA PLASTIC: HIGH TEMP THERMOPLASTIC, BLACK, UL94-V0
CONTACT: COPPER ALLOY
ORGANIZER: HIGH TEMP THERMOPLASTIC, NATURAL, UL94-V0
- 2 - CONTACT PLATING:
SEPARABLE INTERFACE:
PERFORMANCE-BASED PLATING, QUALIFIED TO MEET THE REQUIREMENTS OF FCI PRODUCT SPECIFICATION GS-12-0956 INCLUDING TELCORDIA GR-1217-CORE (NOVEMBER 1995) CENTRAL OFFICE TEST SEQUENCE
PRESS-FIT TAILS: SEE TABLE
- 3 - PRODUCT SPECIFICATION: GS-12-0956
- 4 - APPLICATION SPECIFICATION: GS-20-0305
- 5 - PRODUCT MARKING, (PROTOTYPE, PART NUMBER & LOT CODE), ON THIS SURFACE.
- 6 - POSITIONS "F" OF ODD NUMBERED COLUMNS AND POSITIONS "G" OF EVEN NUMBERED COLUMNS CORRESPOND TO EARLY MATE HEADER PINS.
- 7 - CONNECTOR OUTLINE MAY BE SCREEN PRINTED ONTO CUSTOMER PCB TO BE USED AS A GUIDE FOR CONNECTOR PLACEMENT.
- 8 - REFER TO CUSTOMER DRAWING 10104444 FOR INFORMATION ON PCB HOLE DIAMETERS AND PLATING OPTIONS
- 9 - LEAD FREE PRODUCT MEETS THE EUROPEAN UNION DIRECTIVES & OTHER COUNTRY REGULATIONS AS DESCRIBED IN GS-22-008
- 10 - THESE OUTER VIAS (M) ARE OPTIONAL, WHILE NO CONNECTOR EONS ARE PRESSED INTO THESE HOLES WE RECCOMEND (Ø0.500) FINISHED HOLES AT THESE LOCATIONS TO PROVIDE GROUND SYMMETRY THROUGH THE PCB.
- 11 - PACKAGING MEETS GS-14-920 LEAD FREE LABELING SPECIFICATION.
- 12 - GROUND CONTACTS (C, F, I & L IN ODD COLUMNS AND A, D, G & J IN EVEN COLUMNS) REQUIRE (Ø0.50) FINISHED HOLES. SIGNAL LOCATIONS REQUIRE (Ø0.40) FINISHED HOLES



10120001-101 OR -101LF



DETAIL A
SCALE 15:1

spec. ref.	---	dr.	mult. view	projection	MM	size	A2	scale	10:1
tolerance std	ASME Y14.5M	tolerances unless otherwise specified	csd	ch2	appt	www.fci.com	cat. no.	Product	Customer Draw
surface	linear	0.X ±.3 0.XX ±.10 0.XXX ±.050	angular	0° ±2°	FCI	AirMax VSe R.A. HEADER Ass'y, 4 Pair, 120 pos, 10 IMLA	eng no	10120001	rev
									C

PDS: Rev :C

STATUS: Released

Printed: Jun 16, 2015