

Excellent Integrated System Limited

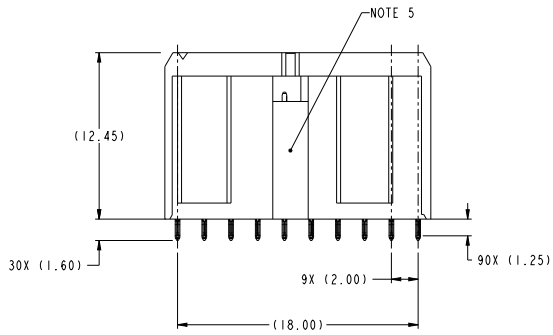
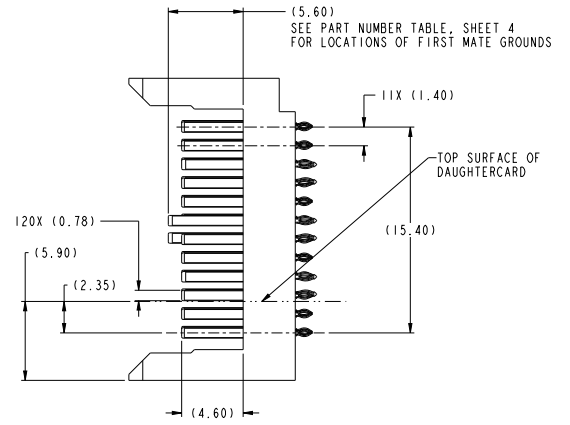
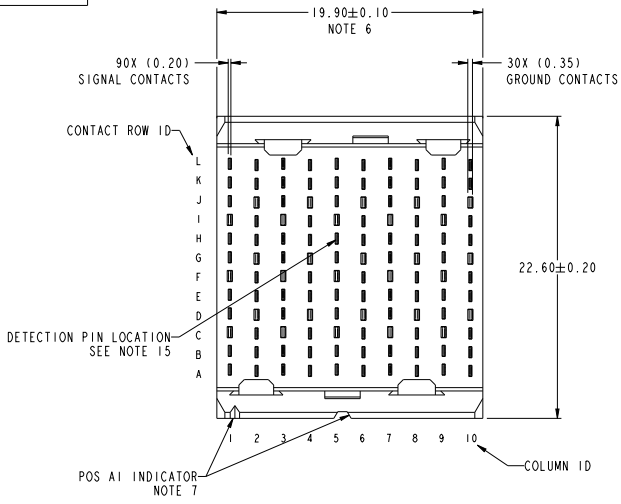
Stocking Distributor

Click to view price, real time Inventory, Delivery & Lifecycle Information:

[FCI](#)
[10123359-1011LF](#)

For any questions, you can email us directly:
sales@integrated-circuit.com

Product number
SEE TABLE, SHT 4



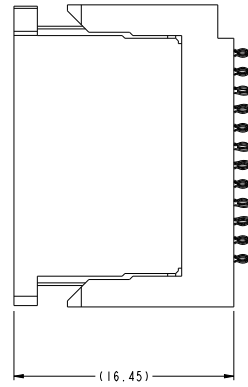
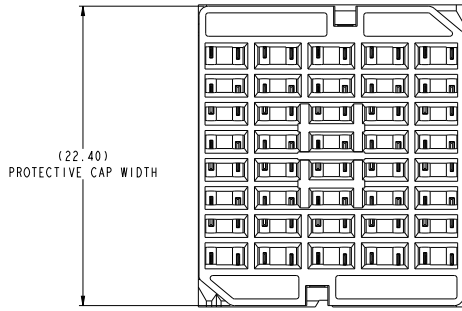
spec. ref.	-	dr.	Shahid Sam	designed by	shahid@eis.com	projection	MM	size	A2	scale	5:1
tolerance std	ASME Y14.5	eng	Shahid Sam	checked by	shahid@eis.com	product family	AIRMAX VS	acc. no.	10123359	rel. level	Released
surface	linear	0.1	±0.3	0.2X	±0.10	AIRMAX VSE VERTICAL HEADER 4 PAIR 120 POS 2MM 10 COL SMALL PRESS FIT		rev	B	sheet 1 of 4	
ASME Y14.5	angular	0°	±2°	0.25X	±0.050	www.fci.com cat. no.		Product	Customer Draw	Printed: Oct 24, 2014	

PDS: Rev: B

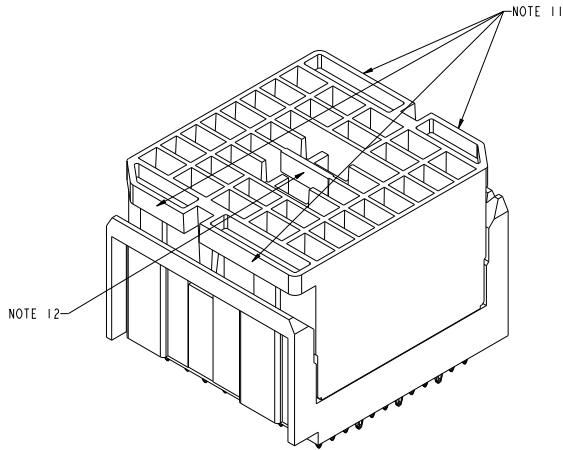
STATUS: Released

Printed: Oct 24, 2014

Copyright FCI.



△ VIEWS SHOWN WITH PROTECTIVE COVER INSTALLED
10123359-1011LF & 111LF



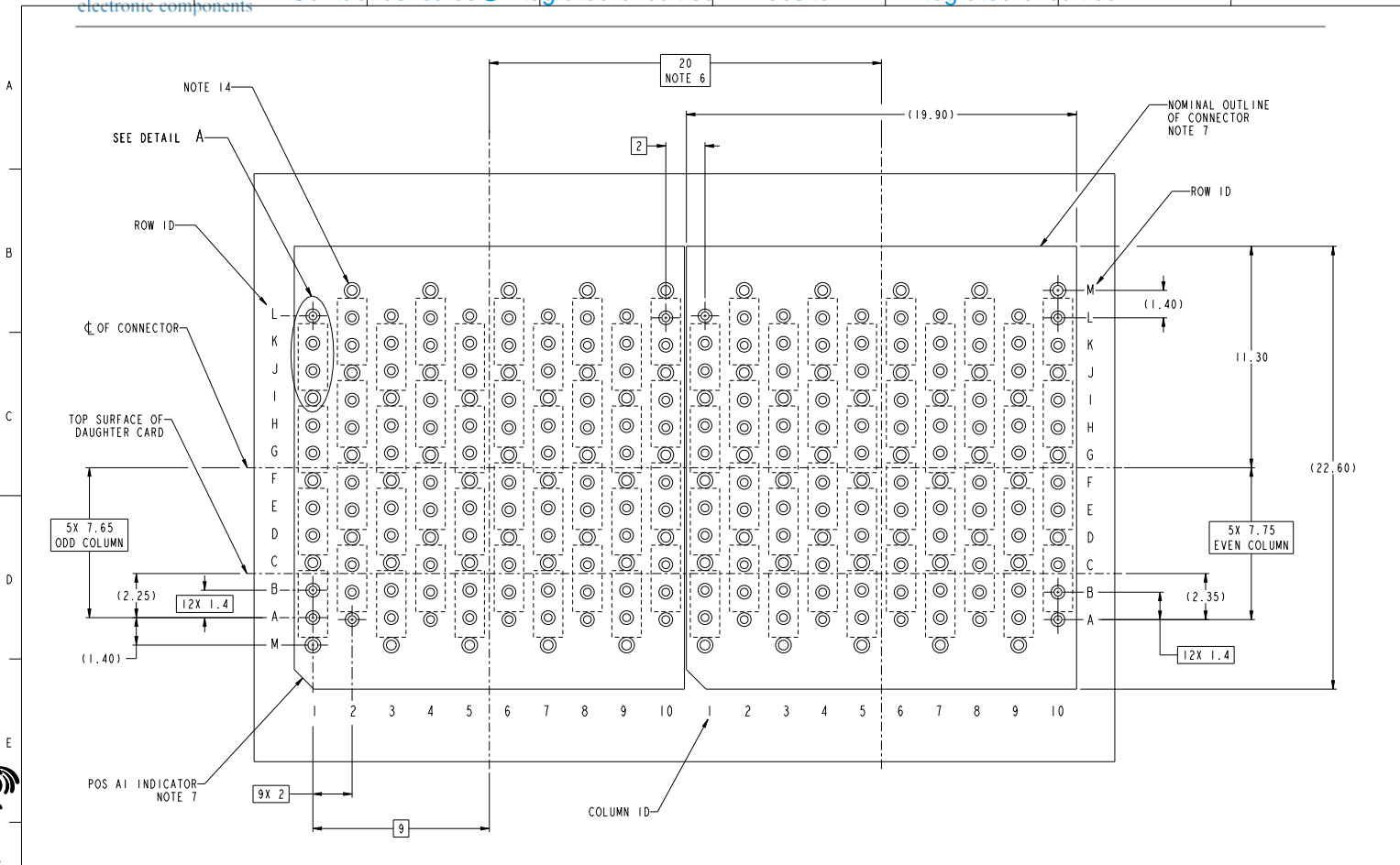
spec. ref.	-	dr.	Shahar Sam	08/01/15	projection	MM	size	A2	scale	5:1
tolerance std	ASME Y14.5	eng	Shahar	08/08/15	1st angle		acc no		rel level	Released
TOLERANCES UNLESS OTHERWISE SPECIFIED		chr			product family	AIRMAX VS				
		appr	Shahar Lu	08/08/15						
surface	linear	0.1	±0.3		AIRMAX VSE VERTICAL HEADER		part no	10123359	rev	B
		0.2X	±0.10		4 PAIR 120 POS 2MM 10 COL SMALL PRESS FIT					
ASME Y14.5	angular	0.2X	±0.050							
		0°	±2°	www.fci.com	cat. no.		Product	Customer Draw	sheet 2 of 4	

PDS: Rev : B

STATUS: Released

Printed: Oct 24, 2014

Copyright FCI



RECOMMENDED PCB LAYOUT
FOR DIFFERENTIAL APPLICATIONS,
COMPONENT SIDE
(TWO ADJACENT FOOTPRINTS SHOWN)
NOTES 6, AND 8

spec. ref.	dr.	projection	MM	size	A2	scale	3:1
tolerance std	ASME Y14.5	TOLERANCES UNLESS OTHERWISE SPECIFIED		acc. no.	10123359	rel. level	Released
surface	linear	0.1 ±0.3 0.2X ±0.10 0.25X ±0.050	FCI	product family	AIRMAX VS	rev	B
ASME Y14.5	angular	0° ±2°	www.fci.com	part no.	4 PAIR 120 POS 2MM 10 COL SMALL PRESS FIT	Product - Customer Draw	sheet 3 of 4

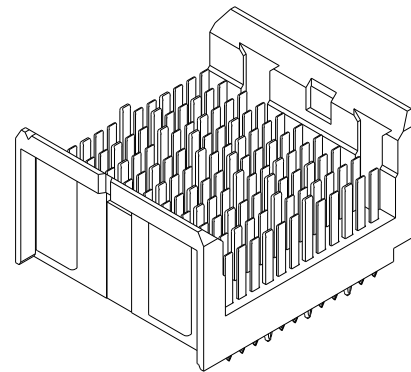
PDS: Rev: B

STATUS: Released

Printed: Oct 24, 2014

Copyright FCI.

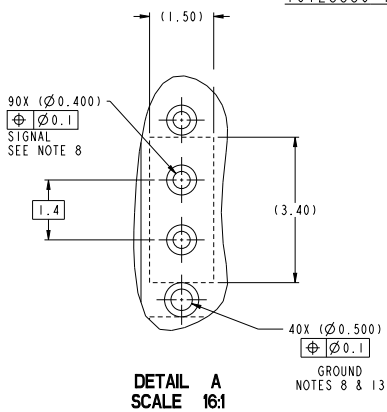
PART NUMBER	PRESS-FIT TAIL PLATING TYPE	PROTECTIVE COVER	DETECTION PIN	LONG GROUND PIN LOCATIONS (5.6MM)	REMARKS
10123359-101LF	TIN OVER NICKEL (LEAD FREE)	YES	NO	F1, F3, F5, F7, F9, G2, G4, G6, G8, G10	2-SIDED PLATING
10123359-111LF		YES	YES		



10123359-101LF & 111LF WITHOUT PROTECTIVE COVER

NOTES:

1. CONNECTOR MATERIALS:
HOUSING: HIGH TEMP THERMOPLASTIC, BLACK, UL94V-0
CONTACT: COPPER ALLOY
2. CONTACT PLATING:
SEPARABLE INTERFACE: PERFORMANCE-BASED PLATING, QUALIFIED TO MEET THE REQUIREMENTS OF FCI PRODUCT SPECIFICATION GS-12-XXX INCLUDING TELCORDIA GR-1217-CORE (NOVEMBER 1995) CENTRAL OFFICE TEST SEQUENCE PRESS-FIT TAILS: SEE TABLE
3. PRODUCT SPECIFICATION: GS-12-239.
4. APPLICATION SPECIFICATION: GS-20-035.
5. PRODUCT MARKING, (PROTOTYPE, PART NUMBER & LOT CODE), ON THIS SURFACE.
6. THE MINIMUM CENTERLINE SPACING BETWEEN ADJACENT MODULES IS 20.0 mm.
7. CONNECTOR OUTLINE WITH HOUSING POS A1 INDICATOR MAY BE SCREEN PRINTED ONTO CUSTOMER PCB TO BE USED AS A GUIDE FOR MANUAL CONNECTOR PLACEMENT.
8. REFER TO CUSTOMER DRAWING 10104444 FOR INFORMATION ON PCB HOLE DIAMETERS AND PLATING OPTIONS.
9. THIS PRODUCT MEETS EUROPEAN UNION DIRECTIVES AND OTHER COUNTRY REGULATIONS AS DESCRIBED IN GS-22-008.
10. PACKAGING MEETS GS-14-920 LEAD FREE LABELING SPECIFICATION.
11. FOR REMOVAL OF THE PROTECTIVE CAP BY HAND GRIP USING THESE SURFACES.
12. FOR REMOVAL OF THE PROTECTIVE CAP WITH PLIERS GRIP USING THIS FEATURE.
13. GROUND VIAS IN POSITIONS C, F, J, & M FOR ODD COLUMNS AND POSITIONS D, G, H, I, & N FOR EVEN COLUMNS REQUIRE (Ø0.50) FINISHED HOLES. ALL OTHER VIAS REQUIRE (Ø0.40) FINISHED HOLES.
14. THE OUTER VIAS IN COLUMN M ARE OPTIONAL. IF ADDED THESE HOLES PROVIDE GROUND SYMMETRY THROUGH THE PCB. NO CONNECTOR PINS WILL BE PRESSED INTO THESE HOLES.
15. MATING PIN HS IS 0.5mm LESS WIPE NOMINAL THAN THE SHORTEST PIN.
16. A/B SYMBOL WILL BE NEXT TO ANY DIMENSION OR VIEW, NOTE THAT HAS BEEN MODIFIED WITH THE CURRENT DRAWING REVISION.



Copyright FCI

spec. ref.	-	dr.	isside Rev	0000110	projection	MM	size	A2	scale	5:1
tolerance std	ASME Y14.5	eng	isside Rev	0000001	chf		acc no			
	TOLERANCES UNLESS OTHERWISE SPECIFIED	appr	isside Rev	0000003	product family	AIRMAX VS	rel level	Released		
surface	linear	0.1	±0.3	FCI	AIRMAX VSE VERTICAL HEADER		10123359			
		0.2X	±0.10		4 PAIR 120 POS 2MM 10 COL SMALL PRESS FIT					
		0.2X	±0.050	www.fci.com	Product - Customer Draw		sheet 4 of 4			
ASME Y14.5	angular	Ø	±2							

PDS: Rev: B STATUS: Released Printed: Oct 24, 2014