

Excellent Integrated System Limited

Stocking Distributor

Click to view price, real time Inventory, Delivery & Lifecycle Information:

[FCI](#)

[51730-043LF](#)

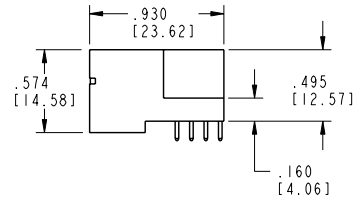
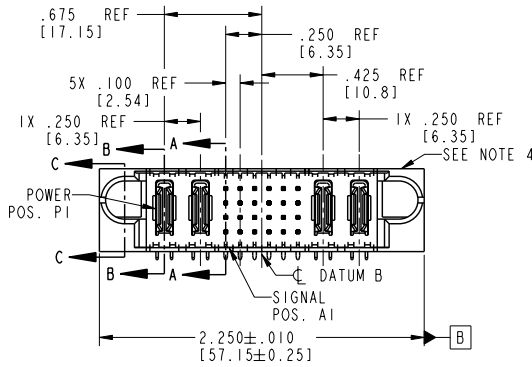
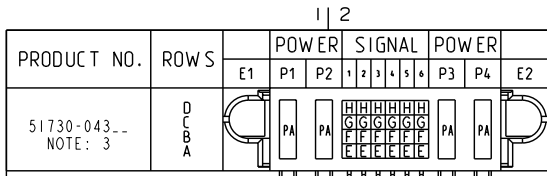
For any questions, you can email us directly:

sales@integrated-circuit.com

Tous droits strictement réservés. Reproduction ou communication, o des liens interdiés sous quelque forme que ce soit sans autorisation écrite du propriétaire. Propriété de c FCI. Droits de reproduction FCI.

FCI

All rights strictly reserved. Reproduction or issue to third parties in any form whatever is not permitted without written authority from the proprietor. Property of FCI. Copyright FCI.



CODE	DIM "M"	MATING LENGTH	CONTACT TYPE
E	.220	[5.59]	SIGNAL
F	.220	[5.59]	SIGNAL
G	.220	[5.59]	SIGNAL
H	.220	[5.59]	SIGNAL
PA	N/A	[N/A]	POWER

mat'l code		SEE NOTE 2		tolerances unless otherwise specified		CUSTOMER	
lfr	ecn no.	dr	date	linear	XX±.01/0, Y±0.3	projection	COPY
A	V20574	JWS	03-20-02	linear	.XXX±.005/0, YY±0.13	INCH/MM	www.fciconnect.com
B	D605-0389	GvoJM	10/17/05	angles	XXXX±.002/0, YY±0.051	scale	title
				dr	0° ± 2°	1:1	2P + 24S + 2P
				engr	J. SHAFER 03-20-02		RIGHT ANGLE SOLDER HEADER
				chr	J. SWAIN 03-20-02		product family
				appd	J. SWAIN 03-20-02		PwrBlade
sheet index	revision sheet	B	B	B	B		code
		1	2	3	4		213
							sheet
							1 of 4

Pro/E

cage code 22526

PDM: Rev:B

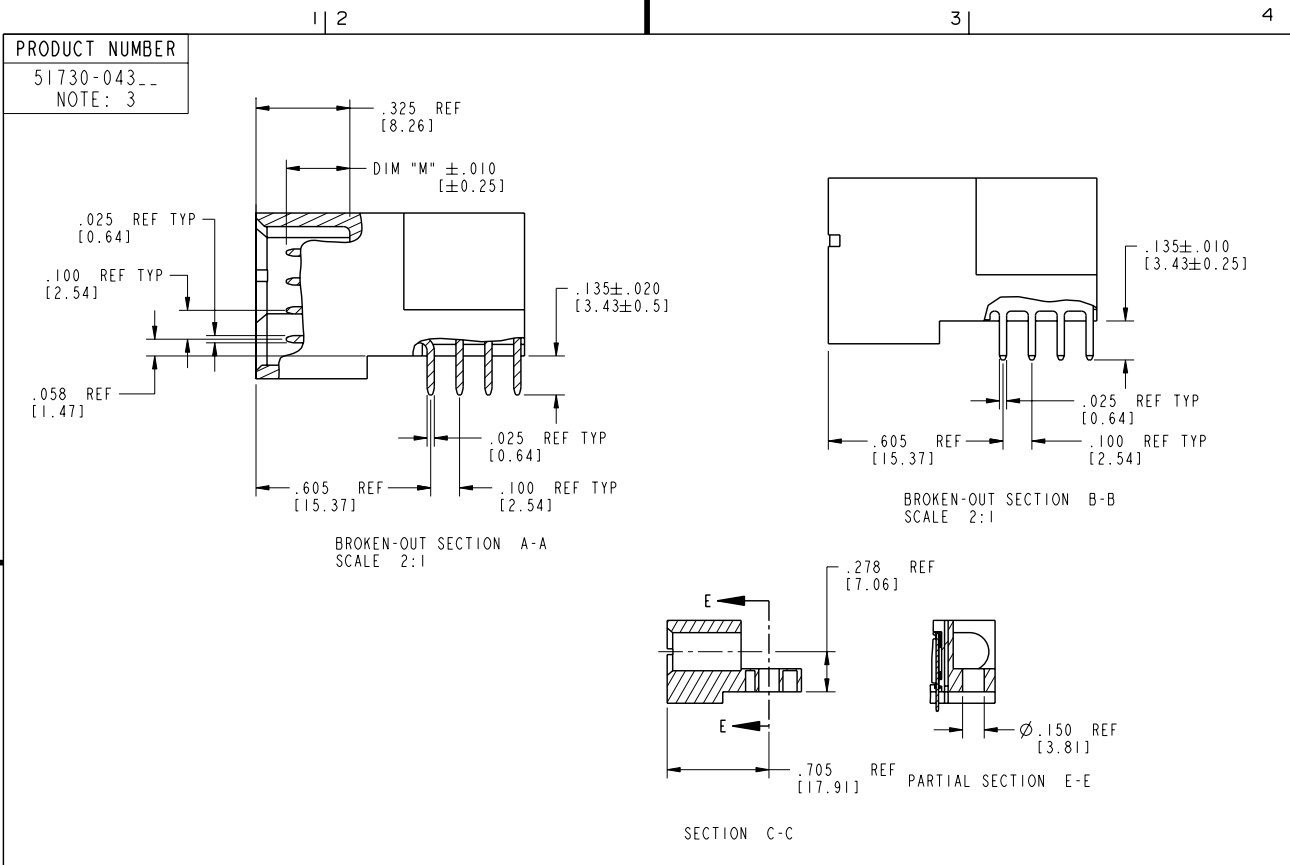
STATUS: Released

Printed: Dec 20, 2010

Tous droits strictement réservés. Reproduction ou communication, o des liens interarité sous quelque forme que ce soit sans autorisation écrite du propriétaire. Propriété de c FCI. Droits de reproduction FCI.

FCI

All rights strictly reserved. Reproduction or issue to third parties in any form whatever is not permitted without written authority from the proprietor. Property of FCI. Copyright FCI.



mat'l code		SEE NOTE 2		tolerances unless otherwise specified		CUSTOMER		FCI		www.fciconnect.com	
lfr	ecm no.	dr	date	linear	XX±.01/0, Y±0.3	projection	COPY	title	2P + 24S + 2P		
B				linear	.XXX±.005/0, YY±0.13	INCH/MM		RIGHT ANGLE SOLDER HEADER	product family	PwrBlade	code
				angles	XXXX±.0020/0, YY±0.051	scale	1:1		size	dwg no	sheet
				dr	J. SHAFFER 03-20-02				A	51730-043	2 of 4
				engr	J. SWAIN 03-20-02						
				chr	J. SWAIN 03-20-02						
				appd	J. SWAIN 03-20-02						
sheet index	revision sheet										

Pro/E

cage code 22526

PDM: Rev:B

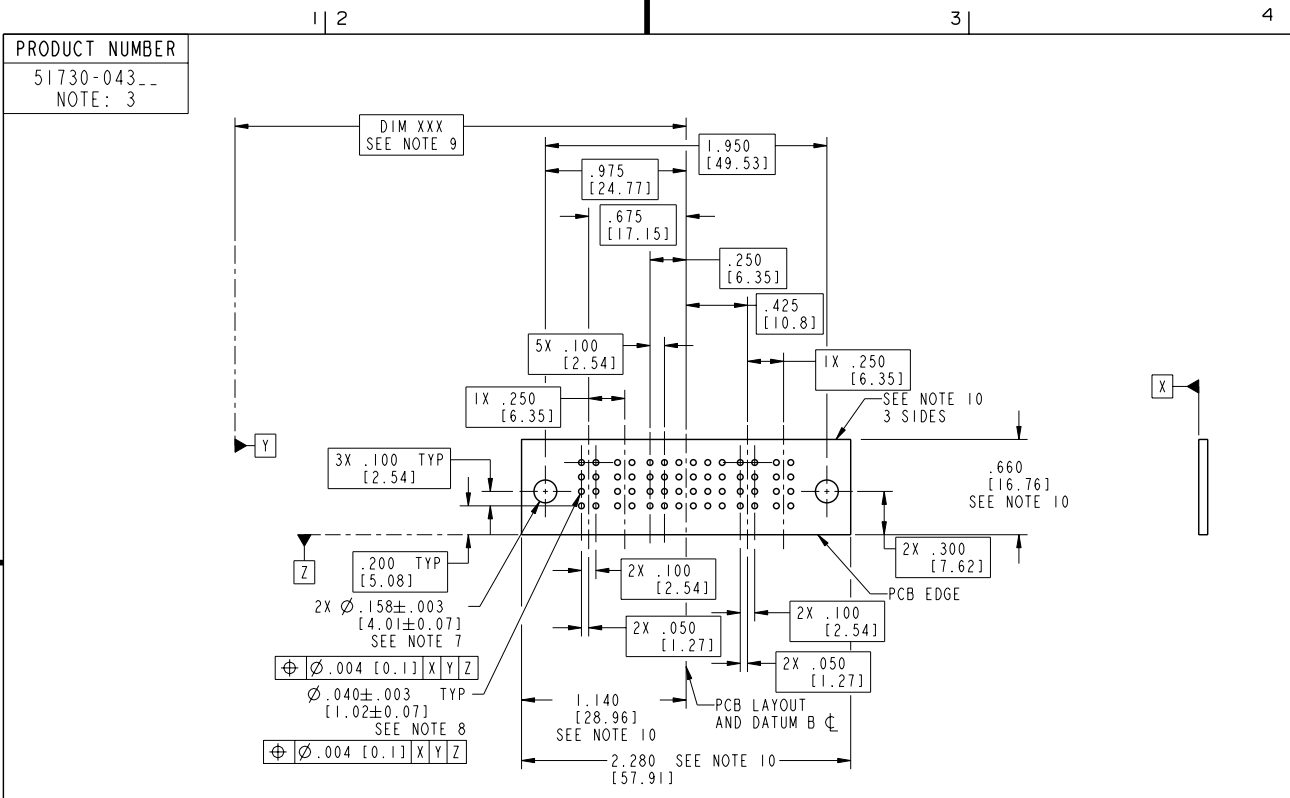
STATUS: **Released**

Printed: Dec 20, 2010

Tous droits strictement réservés. Reproduction ou communication, o des liens interdié sous quelque forme que ce soit sans autorisation écrite du propriétaire. Propriété de c FCI. Droits de reproduction FCI.

FCI

All rights strictly reserved. Reproduction or issue to third parties in any form whatever is not permitted without written authority from the proprietor. Property of FCI. Copyright FCI.



RECOMMENDED PCB LAYOUT

mat'l code		SEE NOTE 2		tolerances unless otherwise specified		CUSTOMER		FCI		www.fciconnect.com	
lfr	ecn no.	dr	date	linear	XX±.01/0, Y±0.3	projection	COPY	title	2P + 24S + 2P		
B				linear	.XXX±.005/0, YY±0.13	INCH/MM		RIGHT ANGLE SOLDER HEADER	product family	PwrBlade	code
				angles	XXXX±.0020/0, YY±0.051	scale	A		size	51730-043	sheet
				dr	J. SHAFFER 03-20-02	1:1			dwg no		3 of 4
				engr	J. SWAIN 03-20-02						
				chr	J. SWAIN 03-20-02						
				appd	J. SWAIN 03-20-02						
sheet index	revision sheet										

Pro/E

cage code 22526

PDM: Rev:B

STATUS: **Released**

Printed: Dec 20, 2010

Tous droits strictement réservés. Reproduction ou communication, o des tiers interdite sous quelque forme que ce soit sans autorisation écrite du propriétaire. Propriété de c FCI. Droits de reproduction FCI.

FCI

All rights strictly reserved. Reproduction or issue to third parties in any form whatever is not permitted without written authority from the proprietor. Property of FCI. Copyright FCI.

1 2		3	4																																																																																																				
PRODUCT NUMBER																																																																																																							
51730-043-- NOTE: 3																																																																																																							
NOTES:																																																																																																							
1. DIMENSIONS AND TOLERANCES ARE IN ACCORDANCE WITH ASME Y14.5M, 1994 UNLESS OTHERWISE SPECIFIED.																																																																																																							
CONNECTOR NOTES:																																																																																																							
② HOUSING MATERIAL: UL 94 V-0 GLASS FILLED HIGH-TEMP THERMOPLASTIC POWER CONTACT MATERIAL: COPPER ALLOY SIGNAL PIN MATERIAL: COPPER ALLOY																																																																																																							
3. PLATING:																																																																																																							
51730-043 Singal Pin:30u"/0.76um Au OVER 50u"/1.27um Ni ON THE CONTACT AREA, AND 100u"/2.54um SnPb PLATING OVER 50u"/1.27um Ni ON THE TERMINATION SECTION. Power Pin:30u"/0.76um Au OVER 50u"/1.27um Ni ON THE CONTACT AREA, AND 100u"/2.54um SnPb PLATING OVER 50u"/1.27um Ni ON THE TERMINATION SECTION.																																																																																																							
51730-043LF Singal Pin:30u"/0.76um Au OVER 50u"/1.27um Ni ON THE CONTACT AREA, AND 78u"/2.00um Sn PLATING OVER 50u"/1.27um Ni ON THE TERMINATION SECTION. Power Pin:30u"/0.76um Au OVER 50u"/1.27um Ni ON THE CONTACT AREA, AND 78u"/2.00um Sn PLATING OVER 50u"/1.27um Ni ON THE TERMINATION SECTION.																																																																																																							
PART NUMBER 51730-043LF MEETS EUROPEAN UNION DIRECTIVE AND IOTHER COUNTRY REGULATIONS AS DESCRIBED IN GS-22-008.																																																																																																							
THE HOUSING WILL WITHSTAND EXPOSURE TO 260° PEAK TEMPERATURE FOR 10 SECONDS IN A WAVE SOLDER APPLICATION WITH A CIRCUIT BOARD.																																																																																																							
④ MANUFACTURER'S NAME, P/N, AND DATE CODE TO APPEAR ON THIS SURFACE.																																																																																																							
5. PRODUCT SPECIFICATION GS-12-149. APPLICATION SPECIFICATION BUS-20-067.																																																																																																							
PCB NOTES:																																																																																																							
6. ALL HOLE DIAMETERS ARE FINISHED HOLE SIZE.																																																																																																							
7. MOUNTING HOLES, WHERE APPLICABLE, ARE UNPLATED.																																																																																																							
⑧ $\varnothing .0453 \pm 0.0010$ [1.151 \pm 0.025] DRILLED HOLES PLATED WITH 0.0003 [0.008] MIN SnPb OVER .001 [0.03] TO .003 [0.08] Cu PLATING TO ACHIEVE $\varnothing .040 \pm .003$ [1.02 \pm .07] HOLE.																																																																																																							
⑨ "DIM XXX" TO BE DETERMINED BY THE CUSTOMER.																																																																																																							
⑩ CONNECTOR KEEP-OUT ZONE.																																																																																																							
<table border="1" style="width: 100%; border-collapse: collapse;"> <tr> <td colspan="4">mat'l code</td> <td colspan="2">SEE NOTE 2</td> <td colspan="2">tolerances unless otherwise specified</td> <td colspan="2">CUSTOMER</td> <td colspan="2" rowspan="2" style="text-align: center;"> www.fciconnect.com</td> </tr> <tr> <td>lfr</td> <td>ecn no.</td> <td>dr</td> <td>date</td> <td>linear</td> <td>.XX±.01/0.X±0.3</td> <td>projection</td> <td>COPY</td> <td>title</td> <td colspan="2">2P + 24S + 2P</td> </tr> <tr> <td>B</td> <td></td> <td></td> <td></td> <td>angles</td> <td>.XXX±.005/0.XX±0.13</td> <td rowspan="2" style="text-align: center;"></td> <td rowspan="2" style="text-align: center;">INCH/MM</td> <td colspan="2">RIGHT ANGLE SOLDER HEADER</td> <td>product family</td> <td>PwrBlade</td> </tr> <tr> <td></td> <td></td> <td></td> <td></td> <td>dr</td> <td>.XXX±.0020/0.XX±0.051</td> <td>scale</td> <td>A</td> <td>51730-043</td> <td>code</td> <td>213</td> </tr> <tr> <td></td> <td></td> <td></td> <td></td> <td>engr</td> <td>J. SWAIN 03-20-02</td> <td></td> <td></td> <td>size</td> <td>dwg no</td> <td colspan="2">sheet</td> </tr> <tr> <td></td> <td></td> <td></td> <td></td> <td>chr</td> <td>J. SWAIN 03-20-02</td> <td></td> <td></td> <td></td> <td></td> <td colspan="2">4 of 4</td> </tr> <tr> <td></td> <td></td> <td></td> <td></td> <td>appd</td> <td>J. SWAIN 03-20-02</td> <td></td> <td></td> <td></td> <td></td> <td colspan="2"></td> </tr> <tr> <td>sheet index</td> <td colspan="2">revision sheet</td> <td></td> <td></td> <td></td> <td></td> <td></td> <td></td> <td></td> <td></td> <td></td> </tr> </table>		mat'l code				SEE NOTE 2		tolerances unless otherwise specified		CUSTOMER		www.fciconnect.com		lfr	ecn no.	dr	date	linear	.XX±.01/0.X±0.3	projection	COPY	title	2P + 24S + 2P		B				angles	.XXX±.005/0.XX±0.13		INCH/MM	RIGHT ANGLE SOLDER HEADER		product family	PwrBlade					dr	.XXX±.0020/0.XX±0.051	scale	A	51730-043	code	213					engr	J. SWAIN 03-20-02			size	dwg no	sheet						chr	J. SWAIN 03-20-02					4 of 4						appd	J. SWAIN 03-20-02							sheet index	revision sheet											Pro/E		3		cage code 22526		4	
mat'l code				SEE NOTE 2		tolerances unless otherwise specified		CUSTOMER		www.fciconnect.com																																																																																													
lfr	ecn no.	dr	date	linear	.XX±.01/0.X±0.3	projection	COPY	title	2P + 24S + 2P																																																																																														
B				angles	.XXX±.005/0.XX±0.13		INCH/MM	RIGHT ANGLE SOLDER HEADER		product family	PwrBlade																																																																																												
				dr	.XXX±.0020/0.XX±0.051			scale	A	51730-043	code	213																																																																																											
				engr	J. SWAIN 03-20-02			size	dwg no	sheet																																																																																													
				chr	J. SWAIN 03-20-02					4 of 4																																																																																													
				appd	J. SWAIN 03-20-02																																																																																																		
sheet index	revision sheet																																																																																																						