

Excellent Integrated System Limited

Stocking Distributor

Click to view price, real time Inventory, Delivery & Lifecycle Information:

[FCI](#)

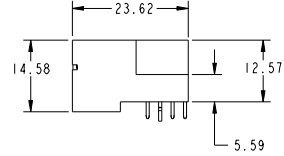
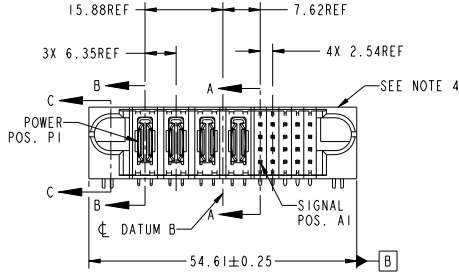
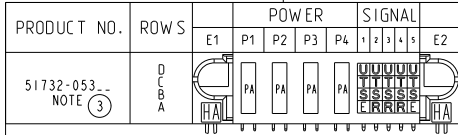
[51732-053LF](#)

For any questions, you can email us directly:

sales@integrated-circuit.com

Tous droits strictement réservés. Reproduction ou communication à des tiers interdite sous quelque forme que ce soit sans autorisation écrite du propriétaire. Propriété de FCI. Droits de reproduction FCI.

All rights strictly reserved. Reproduction or issue to third parties in any form whatever is not permitted without written authority from the proprietor. Property of FCI. Copyright FCI.



CODE	DIM "M" MATING LENGTH	CONTACT TYPE
U	0.270 [6.86]	SIGNAL
T	0.270 [6.86]	SIGNAL
S	0.270 [6.86]	SIGNAL
R	0.270 [6.86]	SIGNAL
PA	N/A [N/A]	POWER
HA	N/A [N/A]	HOLD-DOWN
E	0.220 [5.59]	SIGNAL

mat'l code				See Note		tolerances unless otherwise specified	
ltr	ecm no.	dr	date	linear	0.X ±0.5	projection	
A	DG09-0139	WD	05/06/09	angles	0.XX ±0.25	MM	
				dr	0.XXX ±0.10	scale	1:1
				engr	0° ±2°		
				chr	Warren Du 04/28/09		
				oppd	Warren Du 04/28/09		
					PM ZHENG 04/28/09		
					JOSEPH HSIA 04/28/09		
sheet index	revision sheet	A	A	A	A		
		1	2	3	4		

CUSTOMER		FCI	
COPY		www.fciconnect.com	
title		4P + 20S	
RIGHT ANGLE SOLDER HEADER		PwrBlade	
product family	code	size	dwg no
PwrBlade	213	A	51732-053
	sheet		1 of 4

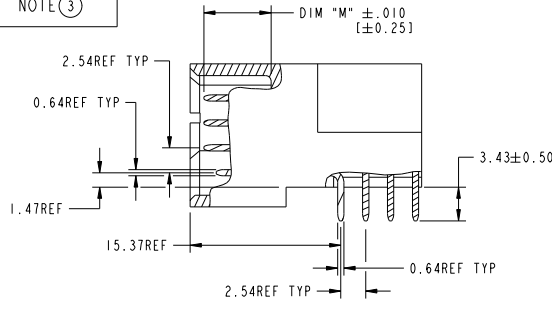
cage code 22526

Tous droits strictement réservés. Reproduction ou communication à des tiers interdite sous quelque forme que ce soit sans autorisation écrite du propriétaire. Propriété de FCI. Droits de reproduction FCI.

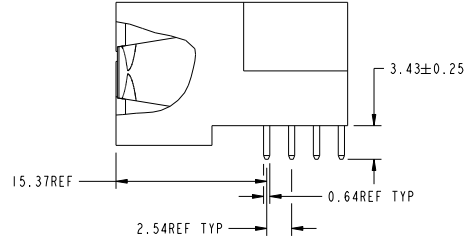
All rights strictly reserved. Reproduction or issue to third parties in any form whatever is not permitted without written authority from the proprietor. Property of FCI. Copyright FCI.



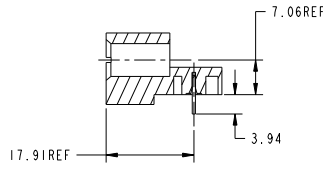
PRODUCT NUMBER
51732-053-
NOTE ③



BROKEN-OUT SECTION A-A
SCALE 2:1



BROKEN-OUT SECTION B-B
SCALE 2:1



SECTION C-C

mat'l code		See Note		tolerances unless otherwise specified		CUSTOMER		FCI	
ltr	ecm no.	dr	date	linear	0.X ±0.5	COPY	www.fciconnect.com		
A					0.XX ±0.25	projection		title	
				angles	0.XXX ±0.10			4P + 20S	
				dr	0° ±2°			RIGHT ANGLE SOLDER HEADER	
				engr	Warren Du 04/28/09	scale		product family	PwrBlade
				chr	Warren Du 04/28/09	1:1		size	
				oppd	PM ZHENG 04/28/09			dwg no	51732-053
					JOSEPH HSTA 04/28/09			code	213
sheet index	revision sheet							sheet	2

Pro/E

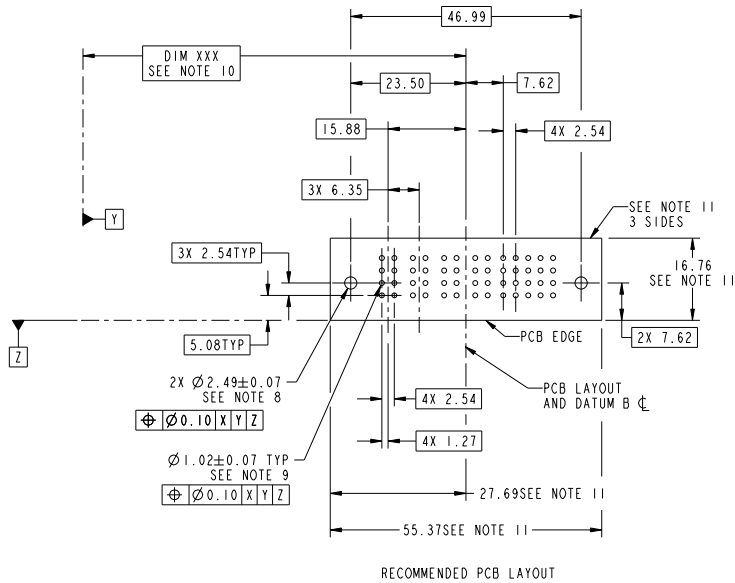
cage code 22526

Tous droits strictement réservés. Reproduction ou communication à des tiers interdite sous quelque forme que ce soit sans autorisation écrite du propriétaire. Propriété de FCI. Droits de reproduction FCI.



All rights strictly reserved. Reproduction or issue to third parties in any form whatever is not permitted without written authority from the proprietor. Property of FCI. Copyright FCI.

PRODUCT NUMBER
51732-053--
NOTE ③



RECOMMENDED PCB LAYOUT

mat'l code		See NOte		tolerances unless otherwise specified		CUSTOMER		FCI	
ltr	ecn no.	dr	date	linear	0 . X ± 0 . 5	COPY	www.fciconnect.com		
A				angles	0 . XX ± 0 . 25	projection		title	
				dr	0 . XXX ± 0 . 10	MM		4P + 20S	
				enr	0° ± 2°	scale		RIGHT ANGLE SOLDER HEADER	
				chr	Warren Du 04/28/09	1:1		product family	PwrBlade
				oppd	Warren Du 04/28/09			size	code
					PM ZHENG 04/28/09			dwg no	213
					JOSEPH HSIA 04/28/09			51732-053	sheet
sheet index	revision sheet								3
								cage code	22526

Pro/E

PDM: Rev:A

STATUS: Released

Printed: Dec 20, 2010

Tous droits strictement réservés. Reproduction ou communication à des tiers interdite sous quelque forme que ce soit sans autorisation écrite du propriétaire. Propriété de FCI. Droits de reproduction FCI.

All rights strictly reserved. Reproduction or issue to third parties in any form whatever is not permitted without written authority from the proprietor. Property of FCI. Copyright FCI.

PRODUCT NUMBER
51732-053-
NOTE ③

NOTES:

1. DIMENSIONS AND TOLERANCES ARE IN ACCORDANCE WITH ASME Y14.5M, 1994 UNLESS OTHERWISE SPECIFIED.

CONNECTOR NOTES:

- ② HOUSING MATERIAL: UL 94 V-0 GLASS FILLED HIGH-TEMP THERMOPLASTIC
POWER CONTACT MATERIAL: COPPER ALLOY
SIGNAL PIN MATERIAL: COPPER ALLOY
- 3. SEE ITEM 1 & 2 IN PRINT 10064183 FOR PLATING SPEC OF 51732-053 AND 51732-053LF RESPECTIVELY.
- ④ MANUFACTURER'S NAME, P/N, AND DATE CODE TO APPEAR ON THIS SURFACE.
- 5. PRODUCT SPECIFICATION GS-12-149.
APPLICATION SPECIFICATION BUS-20-067.
- 6. PACKAGED IN TRAYS.

PCB NOTES:

- 7. ALL HOLE DIAMETERS ARE FINISHED HOLE SIZE.
- ⑧ MOUNTING HOLES, WHERE APPLICABLE, ARE UNPLATED.
- ⑨ $\varnothing .0453 \pm .0010$ [1.151 ± 0.025] DRILLED HOLES PLATED WITH
.0003 [0.006] MIN SnPb OVER .001 [0.03]
TO .003 [0.08] Cu PLATING TO ACHIEVE
 $\varnothing .040 \pm .003$ [$1.02 \pm .07$] HOLE.
- ⑩ "DIM XXX" TO BE DETERMINED BY THE CUSTOMER.
- ⑪ CONNECTOR KEEP-OUT ZONE.

mat'l code		See Note		tolerances unless otherwise specified		CUSTOMER	
ltr	ecm no.	dr	date	linear	0 . X ± 0 . 5	COPY	www.fciconnect.com
A					0 . XX ± 0 . 25	projection	title
				angles	0 . XXX ± 0 . 10		4P + 20S
				dr	0° ± 2°		RIGHT ANGLE SOLDER HEADER
				engr	Warren Du 04/28/09	product family	PwrBlade
				chr	PM ZHENG 04/28/09	size	code
				oppd	JOSEPH HSIA 04/28/09	dwg no	213
sheet index	revision sheet					scale	4 of 4
						1:1	

Pro/E

cage code 22526