

## Excellent Integrated System Limited

Stocking Distributor

Click to view price, real time Inventory, Delivery & Lifecycle Information:

[FCI](#)  
[51751-012LF](#)

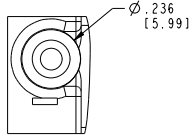
For any questions, you can email us directly:  
[sales@integrated-circuit.com](mailto:sales@integrated-circuit.com)

Tous droits strictement réservés. Reproduction ou communication, en des lieux interdites sans aucune forme que ce soit sans autorisation écrite du propriétaire. Propriété de c FCI. Droits de reproduction FCI.

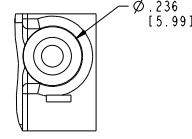


All rights strictly reserved. Reproduction or issue in third parties in any form whatever is not permitted without written authority from the proprietor. Property of FCI. Copyright FCI.

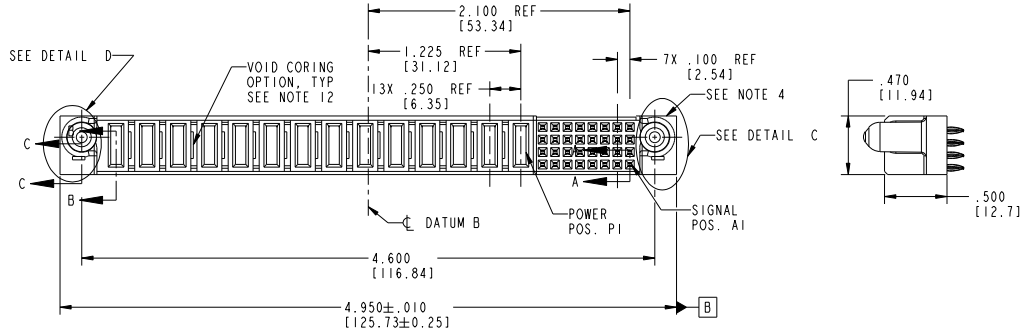
PRODUCT NO.	ROWS	POWER														SIGNAL										
		E2	P14	P13	P12	P11	P10	P9	P8	P7	P6	P5	P4	P3	P2	P1	8	7	6	5	4	3	2	1	E1	
51751-012-- NOTE 3	D D A		PF	PC	PF	PC	PF	PC	PF	PC	PF	PC	PF	PC	PF	PC	PF	PC	PF	PC	PF	PC	PF	PC	PF	PC



DETAIL D  
SCALE 2:1



DETAIL C  
SCALE 2:1



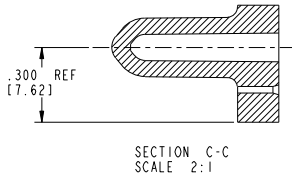
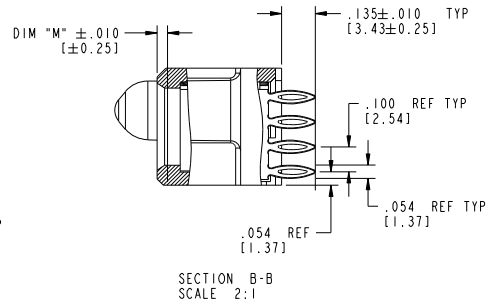
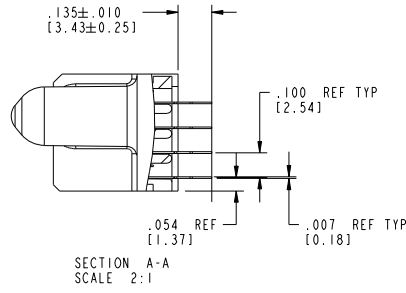
CODE	DIM "M" MATING LENGTH	CONTACT TYPE
F	N/A [N/A]	SIGNAL
PC	.042 [1.07]	POWER
PF	.092 [2.34]	POWER



mat'l code				SEE NOTE 2	tolerances unless otherwise specified	CUSTOMER	FCI
ltr	ecn no.	dr	date		linear	XX±.01/0.XX±0.3	www.fciconnect.com
A	V04-0456	TAB	05/03/04			XX±.005/0.XX±0.13	
B	DG05-0083	SW	04/12/05			XXX±.0020/0.XXX±0.051	
C	DG05-0561	6x0.1JM	12/21/05		angles	0°±	
D	DG06-0366	6x0.1JM	08/30/06	dr	I. BRUNGARD	05/03/04	
E	DG08-0177	JW	07/11/08	enr	M. GRAY	05/03/04	
				chr	M. GRAY	05/03/04	
				oppd	M. GRAY	05/03/04	
sheet index	revision sheet	E	E	E	E		
		1	2	3	4		

Tous droits strictement réservés. Reproduction ou communication de ces lignes interdite sans aucune forme que ce soit sans autorisation écrite du propriétaire. Propriété de c FCI. Droits de reproduction FCI.

All rights strictly reserved. Reproduction or issue in any form whatever is not permitted without written authority from the proprietor. Property of FCI. Copyright FCI.

PRODUCT NUMBER  
51751-012--  
NOTE(3)



mat'l code		SEE NOTE 2	tolerances unless otherwise specified		CUSTOMER	 www.fciconnect.com
ltr	ecm no.	dr	date	linear	COPY	
E				$XX \pm .01/0$	projection	title 32S + 14P
				$XXX \pm .005/0$		VERTICAL PRESS-FIT RECEPT
				angles	$XXX \pm .002/0$	product family PwrBlade
				dr	$0 \pm 0$	size
				enr	T. BRUNGARD 05/03/04	dwg no
				chr	M. GRAY 05/03/04	51751-012
				oppd	M. GRAY 05/03/04	code 213
sheet index	revision sheet				scale 1:1	sheet 2 of 4

Pro/E

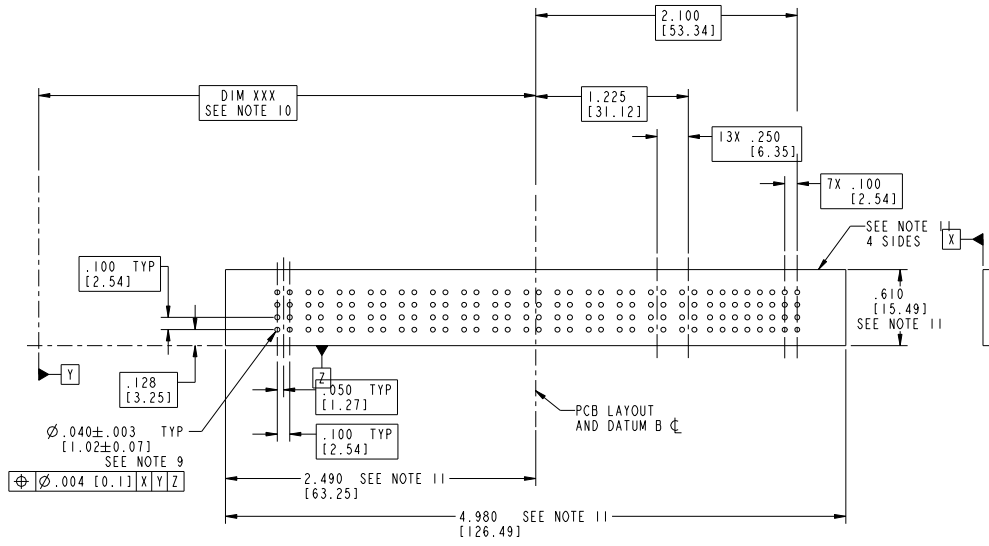
cage code 22526

Tous droits strictement réservés. Reproduction ou communication, o des liens internet sans aucune forme que ce soit sans autorisation écrite du propriétaire. Propriété de c FCI. Droits de reproduction FCI.



All rights strictly reserved. Reproduction or issue in any form without written authority from the proprietor. Property of FCI. Copyright FCI.

PRODUCT NUMBER  
51751-012--  
NOTE ③



mat'l code		SEE NOTE 2	tolerances unless otherwise specified	CUSTOMER	www.fciconnect.com title 32S + 14P VERTICAL PRESS-FIT RECEPT product family PwrBlade code 213 size dwg no 51751-012 sheet 3 of 4
ltr	ecm no.	dr	date	linear	
E				linear	$XX \pm .01/0. XX \pm 0.3$ $XXX \pm .005/0. XX \pm 0.13$ $XXXX \pm .002/0. XX \pm 0.051$ $0 \pm .0$
				angles	
				dr	I. BRUNGARD 05/03/04
				enr	M. GRAY 05/03/04
				chr	M. GRAY 05/03/04
				oppd	M. GRAY 05/03/04
sheet index	revision sheet				

Pro/E

cage code 22526

Tous droits strictement réservés. Reproduction ou communication de ces lignes interdite sans aucune forme que ce soit sans autorisation écrite du propriétaire. Propriété de c FCI. Droits de reproduction FCI.

All rights strictly reserved. Reproduction or issue in any form whatever is not permitted without written authority from the proprietor. Property of FCI. Copyright FCI.

PRODUCT NUMBER  
51751-012--  
NOTE ③

NOTES:

1. DIMENSIONS AND TOLERANCES ARE IN ACCORDANCE WITH ASME Y14.5M, 1994 UNLESS OTHERWISE SPECIFIED.

CONNECTOR NOTES:

- ② HOUSING MATERIAL: UL 94 V-0 GLASS FILLED HIGH-TEMP THERMOPLASTIC  
POWER CONTACT MATERIAL: COPPER ALLOY  
SIGNAL PIN MATERIAL: COPPER ALLOY
- 3. PLATING SPEC.  
51751-012, 51751-012LF PLATING SPEC. WAS SHOWN IN THE PRINT OF 10064183.
- ④ MANUFACTURER'S NAME, P/N, AND DATE CODE TO APPEAR ON THIS SURFACE.
- 5. PRODUCT SPECIFICATION GS-12-149.  
APPLICATION SPECIFICATION BUS-20-067.
- 6. PACKAGED IN TRAYS.
- PCB NOTES:
- 7. ALL HOLE DIAMETERS ARE FINISHED HOLE SIZE.
- ⑧ MOUNTING HOLES, WHERE APPLICABLE, ARE UNPLATED.
- ⑨  $\varnothing 1.151 \pm 0.025$  DRILLED HOLES PLATED WITH 0.008 MIN SnPb OR Sn OVER 0.03 TO 0.08 CU PLATING TO ACHIEVE  $\varnothing 1.02 \pm .07$  HOLE.
- ⑩ "DIM XXX" TO BE DETERMINED BY THE CUSTOMER.
- ⑪ CONNECTOR KEEP-OUT ZONE.
- ⑫ THE VOID CORING IN BETWEEN POWER MODULES, SIGNAL MODULES AND END MODULES ARE OPTIONAL AND THE SHAPE MAY BE DIFFERENT FOR OPTIMIZING THE MOLDING PROCESS. THE VOID CORING WILL NOT EFFECT TO PRODUCT FUNCTION.

mat'l code		SEE NOTE 2	tolerances unless otherwise specified		CUSTOMER		FCI		www.fciconnect.com	
ltr	ecm no.	dr	date	linear	projection	COPY		title		
E				$XX \pm .01/0$	$YY \pm 0.3$			32S + 14P		
				$XXX \pm .005/0$	$YY \pm 0.13$			VERTICAL PRESS-FIT RECEPT		
				angles	$XXX \pm .002/0$			product family		
				dr	$0 \pm .0$			PwrBlade		
				engr	T. BRUNGARD	05/03/04		code		
				chr	M. GRAY	05/03/04		213		
				oppd	M. GRAY	05/03/04		sheet		
sheet index	revision sheet					INCH/MM		4 of 4		
						scale		4		
						1:1		A		

1 | 2

Pro/E

3 |

cage code 22526

4