

Excellent Integrated System Limited

Stocking Distributor

Click to view price, real time Inventory, Delivery & Lifecycle Information:

[FCI](#)

[51915-224LF](#)

For any questions, you can email us directly:

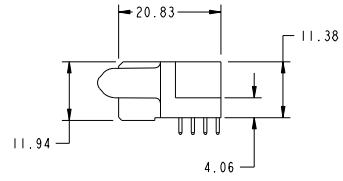
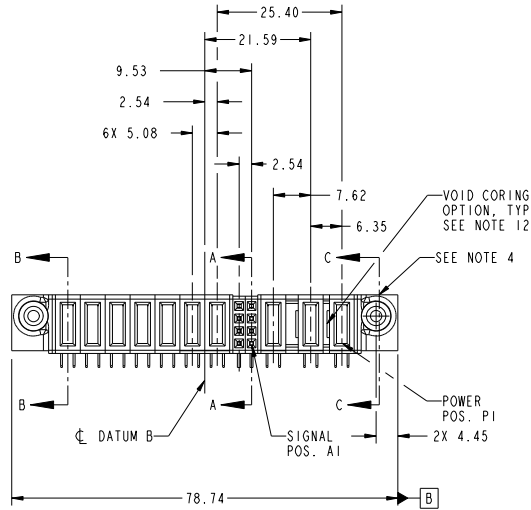
sales@integrated-circuit.com

Tous droits strictement réservés. Reproduction ou communication à des tiers interdite sous quelque forme que ce soit sans autorisation écrite du propriétaire. Propriété de FCI. Droits de reproduction FCI.

All rights strictly reserved. Reproduction or issue to third parties in any form whatever is not permitted without written authority from the proprietor. Property of FCI. Copyright FCI.



PRODUCT NO.	ROWS	POWER								SIGNAL			E1		
		E2	P10	P9	P8	P7	P6	P5	P4	z1	P3	P2		P1	
51915-224-- NOTE 3	D E C A		PA	PA	PA	PC	PC	PC	PA	H I G H	z 1	PA	PC	PC	



CODE	DIM "M" MATING LENGTH	CONTACT TYPE
PC	[2.34]	POWER
PA	[1.07]	POWER
H	[N/A]	SIGNAL
G	[N/A]	SIGNAL
F	[N/A]	SIGNAL
E	[N/A]	SIGNAL

mat'l code				SEE NOTE 2		tolerances unless otherwise specified	
lfr	ecm no.	dr	date	linear	0.X ± 0.5	projection	COPY
A	DC09-0288	WL	09/08/09		0.XX ± 0.25		www.fciconnect.com
				angles	0.XXX ± 0.1		title
				dr	0° ± 2°		2P+1ACP+8S+7P R/A SOLDER RECEPTACLE
				enr	WL ZHANG 09/08/09		product family
				chr	WARREN DU 09/08/09		PwrBlade
				oppd	PM ZHENG 09/08/09		size
					Joseph Hsiao 09/08/09		dwg no
sheet index	revision sheet	A 1	A 2	A 3	A 4	scale	51915-224
							213 sheet 1 of 4

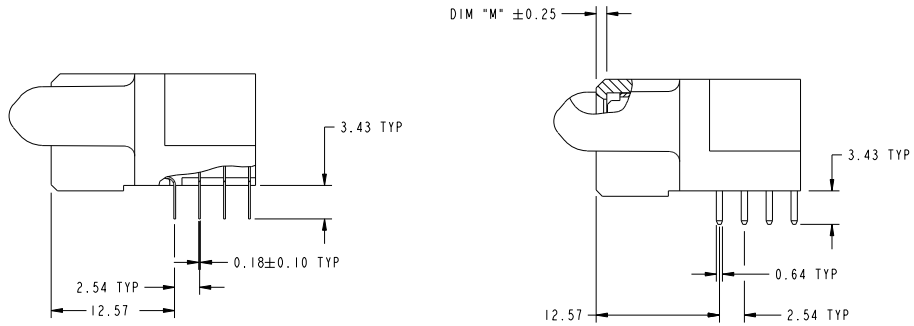
CUSTOMER		FCI	
MM	MM	www.fciconnect.com	
scale	1:1	product family	PwrBlade
		size	dwg no
			51915-224
			213 sheet 1 of 4

cage code 22526

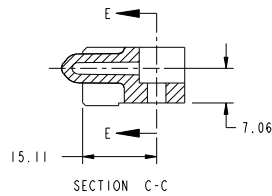
Tous droits strictement réservés. Reproduction ou communication à des tiers interdite sous quelque forme que ce soit sans autorisation écrite du propriétaire. Propriété de FCI. Droits de reproduction FCI.

All rights strictly reserved. Reproduction or issue to third parties in any form whatever is not permitted without written authority from the proprietor. Property of FCI. Copyright FCI.

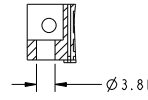
PRODUCT NUMBER
51915-224...
NOTE 3



BROKEN-OUT SECTION A-A
SCALE 2:1



BROKEN-OUT SECTION B-B
SCALE 2:1



PARTIAL SECTION E-E

mat'l code				SEE NOTE 2		tolerances unless otherwise specified		CUSTOMER	
lfr	ecm no.	dr	date	linear	0.X ± 0.5	projection	COPY		
A				angles	0.XX ± 0.25	MM	www.fciconnect.com		
				dr	0.XXX ± 0.1	scale	title		
				enr	0" ± 2"	1:1	2P+1ACP+8S+7P R/A SOLDER RECEPTACLE		
				chr	WL ZHANG 09/08/09		product family PwrBlade code		
				oppd	WARREN DU 09/08/09		size		
					FW ZHENG 09/08/09		dwg no		
					Joseph Hsiao 09/08/09		51915-224		
sheet index	revision sheet						213 sheet		
							2 of 4		

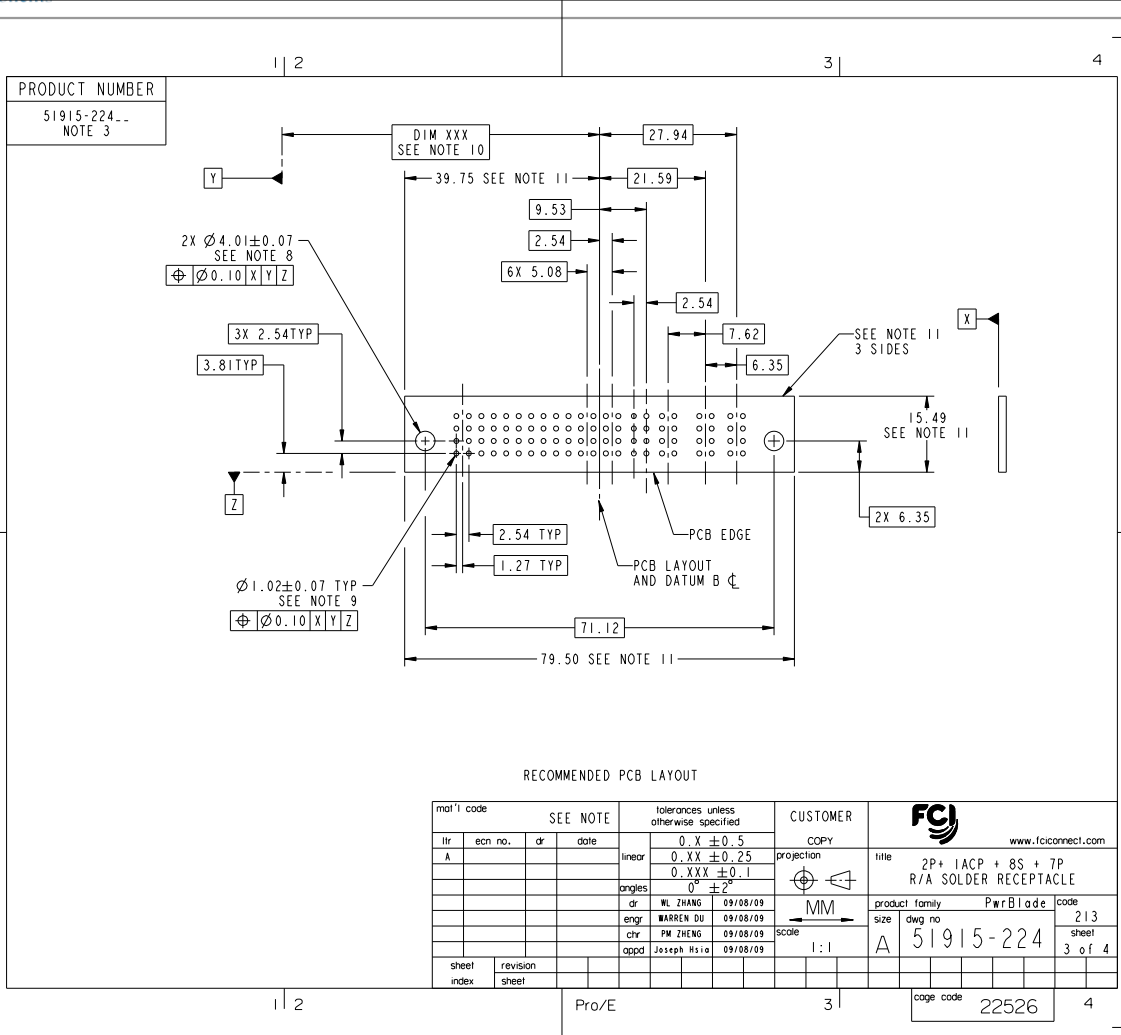
Pro/E

cage code 22526

Tous droits strictement réservés. Reproduction ou communication à des tiers interdite sous quelque forme que ce soit sans autorisation écrite du propriétaire. Propriété de FCI. Droits de reproduction FCI.



All rights strictly reserved. Reproduction or issue to third parties in any form whatever is not permitted without written authority from the proprietor. Property of FCI. Copyright FCI.



RECOMMENDED PCB LAYOUT

mat'l code				SEE NOTE		tolerances unless otherwise specified		CUSTOMER	
ltr	ecn no.	dr	date	linear	0.X ±0.5	projection	www.fciconnect.com		
A					0.XX ±0.25	MM	title 2P+1ACP+8S+7P R/A SOLDER RECEPTACLE		
				angles	0° ±2°	scale	product family PwrBlade code 213		
				dr	WL ZHANG 09/08/09	size	dwg no 51915-224 sheet 3 of 4		
				enr	WARREN DU 09/08/09	A			
				chr	FW ZHENG 09/08/09	1:1			
				oppd	Joseph Hsiao 09/08/09				
sheet index	revision sheet						cage code 22526		

Tous droits strictement réservés. Reproduction ou communication à des tiers interdite sous quelque forme que ce soit sans autorisation écrite du propriétaire. Propriété de FCI. Droits de reproduction FCI.

All rights strictly reserved. Reproduction or issue to third parties in any form whatever is not permitted without written authority from the proprietor. Property of FCI. Copyright FCI.

PRODUCT NUMBER
51915-224_
NOTE 3

NOTES:

1. DIMENSIONS AND TOLERANCES ARE IN ACCORDANCE WITH ASME Y14.5M, 1994 UNLESS OTHERWISE SPECIFIED.

CONNECTOR NOTES:

- 2. HOUSING MATERIAL: UL 94 V-0 GLASS FILLED
HIGH-TEMP THERMOPLASTIC
POWER CONTACT MATERIAL: COPPER ALLOY
SIGNAL PIN MATERIAL: COPPER ALLOY
- 3. PLATING:
SEE ITEM 5 & 6 IN PRINT 10064183 FOR PLATING SPEC OF 51915-224; 51915-224LF PRESPECTIVELY
- 4. MANUFACTURER'S NAME, P/N, AND DATE CODE TO APPEAR ON THIS SURFACE.
- 5. PRODUCT SPECIFICATION GS-12-149.
APPLICATION SPECIFICATION BUS-20-067.
- 6. PACKAGED IN TRAYS.

PCB NOTES:

- 7. ALL HOLE DIAMETERS ARE FINISHED HOLE SIZE.
- 8. MOUNTING HOLES, WHERE APPLICABLE, ARE UNPLATED.
- 9. $\varnothing 1.151 \pm 0.025$ DRILLED HOLES PLATED WITH 0.008 MIN SnPb OR Sn OVER 0.03 TO 0.08 Cu PLATING TO ACHIEVE $\varnothing 1.02 \pm .07$ HOLE.
- 10. "DIM XXX" TO BE DETERMINED BY THE CUSTOMER.
- 11. CONNECTOR KEEP-OUT ZONE.
- 12. THE VOID CORING IN BETWEEN POWER MODULES, SIGNAL MODULES AND END MODULES ARE OPTIONAL AND THE SHAPE MAY BE DIFFERENT FOR OPTIMIZE THE MOLDING PROCESS. THE VOID CORING WILL NOT EFFECT TO PRODUCT FUNCTION.

mat'l code				SEE NOTE 2		tolerances unless otherwise specified		CUSTOMER		FCI		www.fciconnect.com	
ltr	ecm no.	dr	date	linear	0.X ± 0.5		COPY		projection		title		
A					0.XX ± 0.25		A		2P+1ACP+8S+7P		R/A SOLDER RECEPTACLE		
				angles	0° ± 2°		MM		product family		PwrBlade		
		dr	WL ZHANG	engr	WARREN DU	chr	FW ZHENG	oppd	Joseph Hsiao	size	dwg no	code	
			09/08/09		09/08/09		09/08/09		09/08/09	A	51915-224	213	
sheet index	revision sheet							scale	1:1			4 of 4	

Pro/E

cage code 22526