

Excellent Integrated System Limited

Stocking Distributor

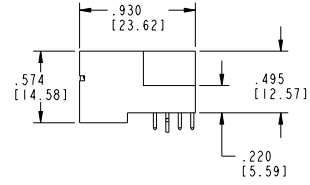
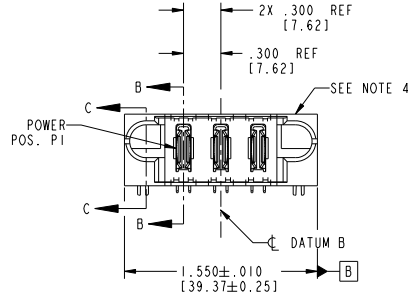
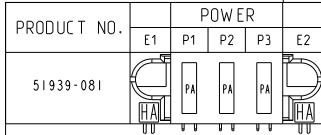
Click to view price, real time Inventory, Delivery & Lifecycle Information:

[FCI](#)
[51939-081LF](#)

For any questions, you can email us directly:
sales@integrated-circuit.com

Tous droits strictement réservés. Reproduction ou communication, en des lieux interdites sans autorisation écrite du propriétaire. Propriété de c FCI. Droits de reproduction FCI.

All rights strictly reserved. Reproduction or issue in any form without written authority from the proprietor. Property of FCI. Copyright FCI.



CODE	DIM "M" MATING LENGTH		CONTACT TYPE
PA	N/A	[N/A]	POWER
HA	N/A	[N/A]	HOLD-DOWN

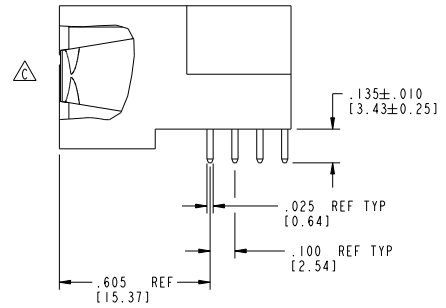
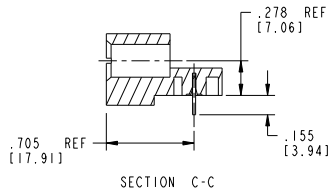
mat'l code				SEE NOTE 2	tolerances unless otherwise specified		CUSTOMER	
ltr	ecm no.	dr	date		linear	XX±.01/0.XX±0.3	COPY	
A	V03-1078	TAB	09/30/03			XXX±.005/0.XX±0.13	projection	
B	DG05-0056	LH	03/29/05			XXX±.0020/0.XX±0.051	INCH/MM	
C	DG09-0003	WD	01/04/09		angles	0°±	scale 1:1	
				dr	T. BRUNGARD	09/30/03	product family PwrBlade code	
				enr	M. GRAY	09/30/03	size dwg no 51939-081 sheet 213 of 4	
				chr	M. GRAY	09/30/03	cage code	
				oppd	M. GRAY	09/30/03	22526	
sheet index	revision sheet	C	C	C	C	C		
1	2	3	4					

Tous droits strictement réservés. Reproduction ou communication, en des lieux interdite sans aucune forme que ce soit sans autorisation écrite du propriétaire. Propriété de c FCI. Droits de reproduction FCI.



All rights strictly reserved. Reproduction or issue in any form wherever is not permitted without written authority from the proprietor. Property of FCI. Copyright FCI.

PRODUCT NUMBER
51939-081



BROKEN-OUT SECTION B-B
SCALE 2:1

mat'l code		SEE NOTE 2	tolerances unless otherwise specified		CUSTOMER	FCI www.fciconnect.com	
ltr	ecm no.	dr	date	linear	COPY	title	3P
C				$.XX\pm .01/0.XX\pm 0.13$	projection	RIGHT ANGLE SOLDER HEADER	
				$.XXX\pm .002/0.XX\pm 0.051$		product family	PwrBlade
				angles	$0^\circ \pm 2^\circ$	size	dwg no
				dr	T. BRUNGARD 09/30/03	INCH/MM	51939-081
				enr	M. GRAY 09/30/03	scale	213
				chr	M. GRAY 09/30/03	1:1	sheet
				oppd	M. GRAY 09/30/03		2 of 4
sheet index	revision sheet						

Pro/E

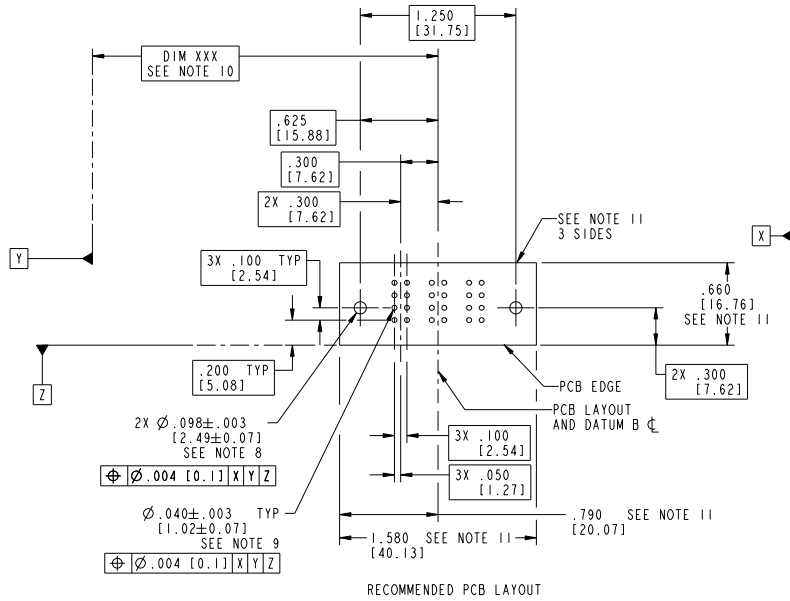
cage code 22526

Tous droits strictement réservés. Reproduction ou communication, en des lieux interdite sans aucune forme que ce soit sans autorisation écrite du propriétaire. Propriété de FCI. Droits de reproduction FCI.



All rights strictly reserved. Reproduction or issue in any form anywhere is not permitted without written authority from the proprietor. Property of FCI. Copyright FCI.

PRODUCT NUMBER
51939-081



RECOMMENDED PCB LAYOUT

mat'l code		SEE NOTE 2		tolerances unless otherwise specified		CUSTOMER	
ltr	ecm no.	dr	date	linear	angular	COPY	www.fciconnect.com
C				$.XX \pm .01/0.XX \pm 0.3$	$.XXX \pm .005/0.XX \pm 0.13$	projection	title
				$.XXX \pm .002/0.XX \pm 0.051$	$0 \pm 2^\circ$		3P
						INCH/MM	RIGHT ANGLE SOLDER HEADER
				dr	I. BRUNGARD	09/30/03	product family
				enrg	M. GRAY	09/30/03	PwrBlade
				chr	M. GRAY	09/30/03	code
				oppd	M. GRAY	09/30/03	213
sheet index	revision sheet					scale	size
						1:1	dwg no
							51939-081
							3 of 4

Pro/E

cage code 22526

Tous droits strictement réservés. Reproduction ou communication, en des lieux interdite sans aucune forme que ce soit sans autorisation écrite du propriétaire. Propriété de FCI. Droits de reproduction FCI.

All rights strictly reserved. Reproduction or issue in third parties in any form whatever is not permitted without written authority from the proprietor. Property of FCI. Copyright FCI.

PRODUCT NUMBER
51939-081

NOTES:

1. DIMENSIONS AND TOLERANCES ARE IN ACCORDANCE WITH ASME Y14.5M, 1994 UNLESS OTHERWISE SPECIFIED.

CONNECTOR NOTES:

- 2. HOUSING MATERIAL: UL 94 V-0 GLASS FILLED HIGH-TEMP THERMOPLASTIC
POWER CONTACT MATERIAL: COPPER ALLOY
SIGNAL PIN MATERIAL: COPPER ALLOY
 - 3. SEE ITEM 1 & 2 IN PRINT 10064183 FOR PLATING SPEC OF 51939-081 AND 51939-081LF RESPECTIVELY.
 - 4. MANUFACTURER'S NAME, P/N, AND DATE CODE TO APPEAR ON THIS SURFACE.
 - 5. PRODUCT SPECIFICATION GS-12-149.
APPLICATION SPECIFICATION BUS-20-067.
 - 6. PACKAGED IN TRAYS.
- PCB NOTES:
- 7. ALL HOLE DIAMETERS ARE FINISHED HOLE SIZE.
 - 8. MOUNTING HOLES, WHERE APPLICABLE, ARE UNPLATED.
 - 9. $\varnothing .0453 \pm .0010$ [1.151 ± 0.025] DRILLED HOLES PLATED WITH .0003 [0.008] MIN SnPb OVER .001 [0.03] TO .003 [0.08] Cu PLATING TO ACHIEVE $\varnothing .040 \pm .003$ [1.02 ± .07] HOLE.
 - 10. "DIM XXX" TO BE DETERMINED BY THE CUSTOMER.
 - 11. CONNECTOR KEEP-OUT ZONE.
 - 12. A Δ SYMBOL WILL BE NEXT TO ANY DIMENSION, VIEW, OR NOTE WHICH HAS BEEN MODIFIED WITH THE CURRENT DRAWING REVISION.

mat'l code		SEE NOTE 2	tolerances unless otherwise specified	CUSTOMER	FCI www.fciconnect.com	
ltr	ecm no.	dr	date	linear	projection	title
C				$XX \pm .01/0$ $XX \pm .005/0$ $XX \pm 0.13$ $XXX \pm .0020/0$ $XX \pm 0.051$ $0 \pm .00$		3P RIGHT ANGLE SOLDER HEADER
				angles		product family PwrBlade code 213
				dr	T. BRUNGARD 09/30/03	size
				enr	M. GRAY 09/30/03	dwg no
				chr	M. GRAY 09/30/03	51939-081
				oppd	M. GRAY 09/30/03	sheet 4 of 4
sheet index	revision sheet					

cage code 22526