

Excellent Integrated System Limited

Stocking Distributor

Click to view price, real time Inventory, Delivery & Lifecycle Information:

[FCI](#)
[51939-214LF](#)

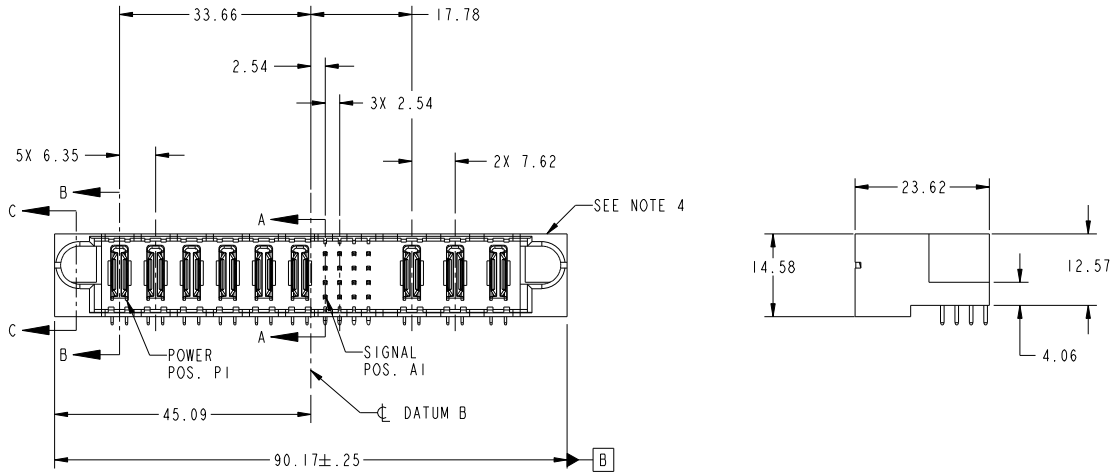
For any questions, you can email us directly:
sales@integrated-circuit.com

Tous droits strictement réservés. Reproduction ou communication à des tiers interdite sous quelque forme que ce soit sans autorisation écrite du propriétaire. Propriété de FCI. Droits de reproduction FCI.

All rights strictly reserved. Reproduction or issue to third parties in any form whatsoever is not permitted without written authority from the proprietor. Property of FCI. Copyright FCI.



PRODUCT NO.	ROWS	POWER					SIGNAL				POWER			E2						
		E1	P1	P2	P3	P4	P5	P6	1	2	3	4	P7		P8	P9				
51939-214... NOTE 3	DCBA																			



CODE	DIM "M" MATING LENGTH	CONTACT TYPE
U	[6.86]	SIGNAL
T	[6.86]	SIGNAL
S	[6.86]	SIGNAL
R	[6.86]	SIGNAL
H	[5.59]	SIGNAL
G	[5.59]	SIGNAL
F	[5.59]	SIGNAL
PA	[N/A]	POWER

mat'l code		SEE NOTE		tolerances unless otherwise specified		CUSTOMER		FCI	
ltr	ecn no.	dr	date	linear	0.X ±0.5	COPY	www.fciconnect.com		
A	DG05-0516	Ryan	12/01/05		0.XX ±0.25	projection	title	6P+16S+3ACP	
B	DG07-0498	JW	09/13/08	angles	0.XXX ±0.10		R/A STB HEADER	product family PwrBlade	
				dr	0° ±2°	MM	code	213	
				enr		scale	size	dwg no	
				chr	RYAN YUAN 12/01/05	1:1	A	51939-214	
				appd	SALLY LUO 12/02/05		sheet	1 of 4	
					VICTOR LIN 12/01/05				
					JOSEPH HSIA 12/01/05				
sheet index	revision sheet	B	B	B	B				
		1	2	3	4				

Pro/E

PDM: Rev:B

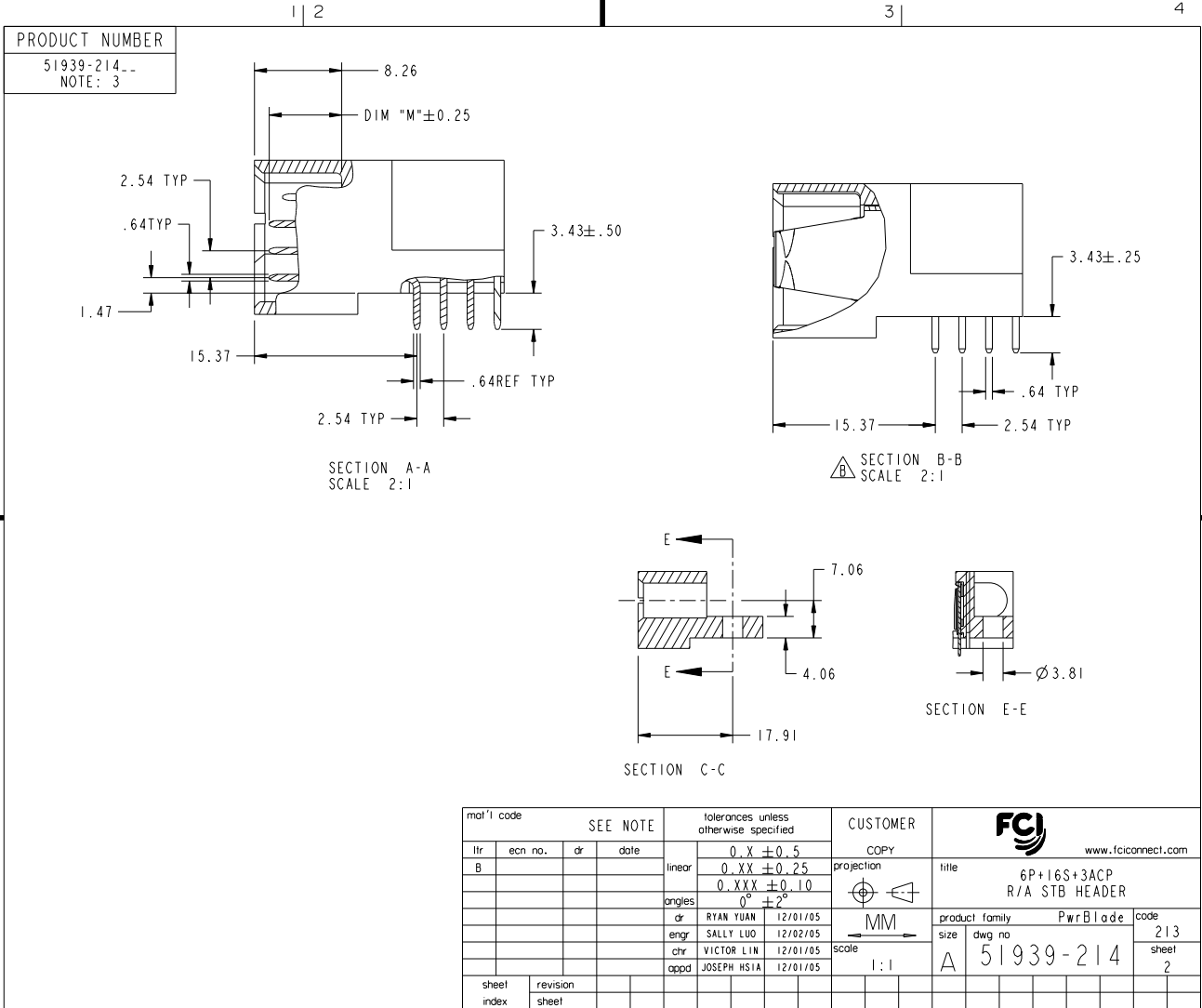
STATUS: **Released**

Printed: Dec 20, 2010

Tous droits strictement réservés. Reproduction ou communication à des tiers interdite sous quelque forme que ce soit sans autorisation écrite du propriétaire. Propriété de FCI. Droits de reproduction FCI.



All rights strictly reserved. Reproduction or issue to third parties in any form whatsoever is not permitted without written authority from the proprietor. Property of FCI. Copyright FCI.



mat'l code		SEE NOTE		tolerances unless otherwise specified		CUSTOMER		FCI	
ltr	ecn no.	dr	date	linear	0.X ±0.5	projection	COPY	www.fciconnect.com	
B					0.XX ±0.25			title	
				angles	0.XXX ±0.10			6P+16S+3ACP R/A STB HEADER	
				dr	0° ±2°	MM	product family	PwrBlade	code
				enr	RYAN YUAN 12/01/05	scale	size	dwg no	213
				chr	SALLY LUO 12/02/05	1:1	A	51939-214	sheet
				appd	VICTOR LIN 12/01/05				2
					JOSEPH HSIA 12/01/05				
sheet index	revision sheet								

1 | 2

Pro/E

PDM: Rev: B

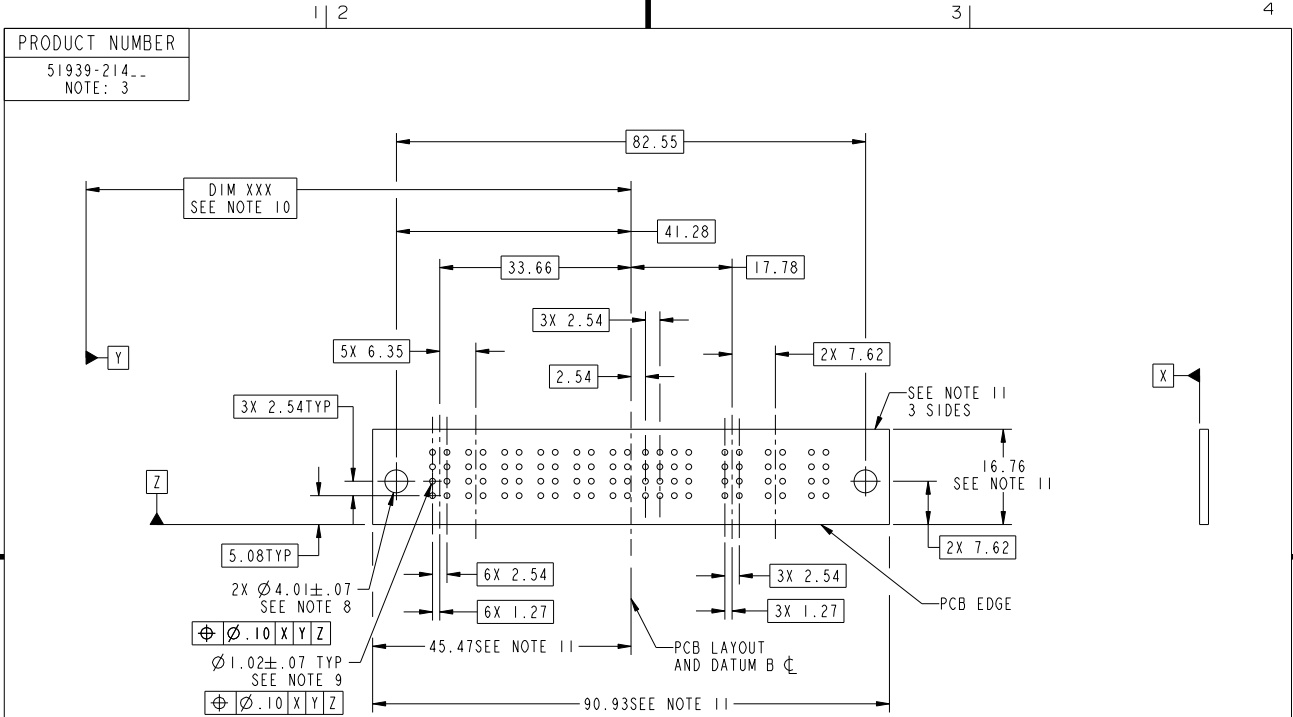
STATUS: **Released**

Printed: Dec 20, 2010

Tous droits strictement réservés. Reproduction ou communication à des tiers interdite sous quelque forme que ce soit sans autorisation écrite du propriétaire. Propriété de FCI. Droits de reproduction FCI.



All rights strictly reserved. Reproduction or issue to third parties in any form whatever is not permitted without written authority from the proprietor. Property of FCI. Copyright FCI.



RECOMMENDED PCB LAYOUT

mat'l code		SEE NOTE		tolerances unless otherwise specified		CUSTOMER		FCI	
ltr	ecm no.	dr	date	linear	0.X ± 0.5	COPY	www.fciconnect.com		
B				angles	0.XX ± 0.25	projection	title 6P+16S+3ACP R/A STB HEADER		
					0.XXX ± 0.10		product family PwrBlade code 213		
		dr	RYAN YUAN	12/01/05	0° ± 2°	MM	size dwg no 51939-214 sheet 3		
		enr	SALLY LUO	12/02/05		scale	A		
		chr	VICTOR LIN	12/01/05		1:1			
		appd	JOSEPH HSIA	12/01/05					
sheet index	revision sheet								

Pro/E

PDM: Rev: B

STATUS: **Released**

Printed: Dec 20, 2010

Tous droits strictement réservés. Reproduction ou communication à des tiers interdite sous quelque forme que ce soit sans autorisation écrite du propriétaire. Propriété de c FCI. Droits de reproduction FCI.



All rights strictly reserved. Reproduction or issue to third parties in any form whatever is not permitted without written authority from the proprietor. Property of FCI. Copyright FCI.

1 2		3		4																																																																																																				
PRODUCT NUMBER																																																																																																								
51939-214..																																																																																																								
NOTE: 3																																																																																																								
NOTES:																																																																																																								
1. DIMENSIONS AND TOLERANCES ARE IN ACCORDANCE WITH ASME Y14.5M, 1994 UNLESS OTHERWISE SPECIFIED.																																																																																																								
CONNECTOR NOTES:																																																																																																								
2. MATERIAL: HOUSING MATERIAL: UL 94 V-0 GLASS FILLED HIGH-TEMP THERMOPLASTIC POWER CONTACT MATERIAL: COPPER ALLOY SIGNAL PIN MATERIAL: COPPER ALLOY																																																																																																								
3. PLATING: ⚠ SEE ITEM 1 & 2 IN PRINT 10064183 FOR PLATING SPEC OF 51939-214; 51939-214LF PRESPECTIVELY																																																																																																								
4. MANUFACTURER'S NAME, P/N, AND DATE CODE TO APPEAR ON THIS SURFACE.																																																																																																								
5. PRODUCT SPECIFICATION GS-12-149. APPLICATION SPECIFICATION BUS-20-067.																																																																																																								
6. PACKAGED IN TRAYS.																																																																																																								
PCB NOTES:																																																																																																								
7. ALL HOLE DIAMETERS ARE FINISHED HOLE SIZE.																																																																																																								
8. MOUNTING HOLES, WHERE APPLICABLE, ARE UNPLATED.																																																																																																								
9. $\varnothing 1.151 \pm 0.025$ DRILLED HOLES PLATED WITH) 0.008 MIN SnPb OR Sn OVER 0.03 TO 0.08 Cu PLATING TO ACHIEVE $\varnothing 1.02 \pm .07$ HOLE.																																																																																																								
10. "DIM XXX" TO BE DETERMINED BY THE CUSTOMER.																																																																																																								
11. CONNECTOR KEEP-OUT ZONE.																																																																																																								
12. A ⚠ SYMBOL WILL BE NEXT TO ANY DIMENSION, VIEW, OR NOTE WHICH HAS BEEN MODIFIED WITH THE CURRENT DRAWING REVISION.																																																																																																								
<table border="1" style="width:100%; border-collapse: collapse;"> <tr> <td colspan="2">mat'l code</td> <td colspan="2">SEE NOTE</td> <td colspan="2">tolerances unless otherwise specified</td> <td colspan="2">CUSTOMER</td> <td colspan="2" style="text-align: center;"> www.fciconnect.com</td> </tr> <tr> <td>ltr</td> <td>ecn no.</td> <td>dr</td> <td>date</td> <td>linear</td> <td>0.X ±0.5</td> <td>projection</td> <td>COPY</td> <td colspan="2">title</td> </tr> <tr> <td>B</td> <td></td> <td></td> <td></td> <td></td> <td>0.XX ±0.25</td> <td></td> <td></td> <td colspan="2">6P+16S+3ACP</td> </tr> <tr> <td></td> <td></td> <td></td> <td></td> <td>angles</td> <td>0.XXX ±0.10</td> <td>\varnothing</td> <td></td> <td colspan="2">R/A STB HEADER</td> </tr> <tr> <td></td> <td></td> <td></td> <td></td> <td></td> <td>0° ±2°</td> <td></td> <td></td> <td>product family</td> <td>PwrBlade</td> </tr> <tr> <td></td> <td></td> <td>dr</td> <td>RYAN YUAN 12/01/05</td> <td></td> <td></td> <td>← MM →</td> <td></td> <td>size</td> <td>code</td> </tr> <tr> <td></td> <td></td> <td>enr</td> <td>SALLY LUO 12/02/05</td> <td></td> <td></td> <td>scale</td> <td></td> <td>51939-214</td> <td>213</td> </tr> <tr> <td></td> <td></td> <td>chr</td> <td>VICTOR LIN 12/01/05</td> <td></td> <td></td> <td>1:1</td> <td></td> <td>sheet</td> <td>4</td> </tr> <tr> <td></td> <td></td> <td>appd</td> <td>JOSEPH HSIA 12/01/05</td> <td></td> <td></td> <td></td> <td></td> <td></td> <td></td> </tr> <tr> <td>sheet index</td> <td>revision sheet</td> <td></td> <td></td> <td></td> <td></td> <td></td> <td></td> <td></td> <td></td> </tr> </table>					mat'l code		SEE NOTE		tolerances unless otherwise specified		CUSTOMER		www.fciconnect.com		ltr	ecn no.	dr	date	linear	0.X ±0.5	projection	COPY	title		B					0.XX ±0.25			6P+16S+3ACP						angles	0.XXX ±0.10	\varnothing		R/A STB HEADER							0° ±2°			product family	PwrBlade			dr	RYAN YUAN 12/01/05			← MM →		size	code			enr	SALLY LUO 12/02/05			scale		51939-214	213			chr	VICTOR LIN 12/01/05			1:1		sheet	4			appd	JOSEPH HSIA 12/01/05							sheet index	revision sheet								
mat'l code		SEE NOTE		tolerances unless otherwise specified		CUSTOMER		www.fciconnect.com																																																																																																
ltr	ecn no.	dr	date	linear	0.X ±0.5	projection	COPY	title																																																																																																
B					0.XX ±0.25			6P+16S+3ACP																																																																																																
				angles	0.XXX ±0.10	\varnothing		R/A STB HEADER																																																																																																
					0° ±2°			product family	PwrBlade																																																																																															
		dr	RYAN YUAN 12/01/05			← MM →		size	code																																																																																															
		enr	SALLY LUO 12/02/05			scale		51939-214	213																																																																																															
		chr	VICTOR LIN 12/01/05			1:1		sheet	4																																																																																															
		appd	JOSEPH HSIA 12/01/05																																																																																																					
sheet index	revision sheet																																																																																																							

1 | 2

Pro/E

PDM: Rev:B

STATUS: **Released**

Printed: Dec 20, 2010