

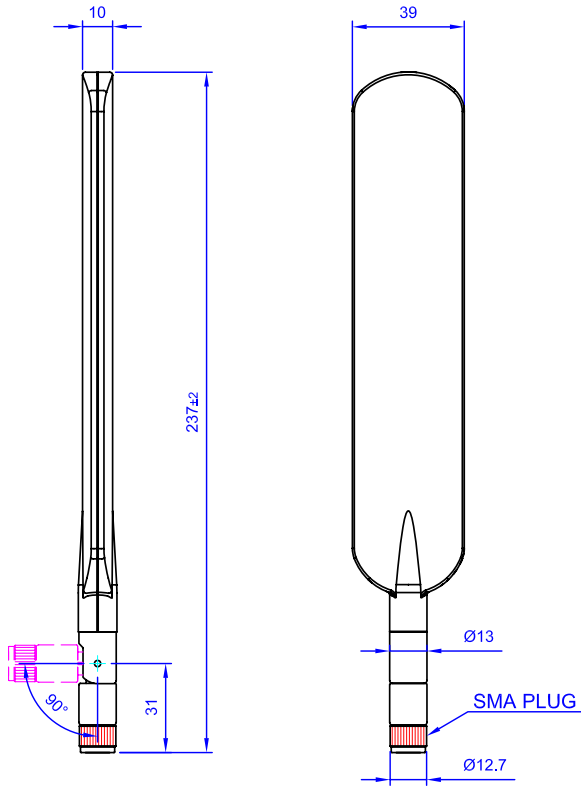
Excellent Integrated System Limited

Stocking Distributor

Click to view price, real time Inventory, Delivery & Lifecycle Information:

[Nearson Inc.](#)
[T6155AM-LTE-S](#)

For any questions, you can email us directly:
sales@integrated-circuit.com



Electrical Properties:

Frequency Range: 698~960 MHz
 1710~2170 MHz
 2500~2700 MHz
 Impedance: 50Ω nominal
 VSWR: ≤3.0
 Gain: 1dBi @698~960 MHz
 2dBi @1710~2170 MHz
 3dBi @2500~2700 MHz
 Radiation: Omni
 Polarization: Vertical

Mechanical Properties:

Connector: SMA Plug
 Material:
 Body: ABS
 Connector: Brass
 Weight: 44g (est.)
 Operation Temp.: -20°C to +65°C
 Storage Temp.: -30°C to +75°C

This is a RoHS compliance product.

TITLE	Multiple Band Swivel Antenna 6155 - Model		DATE	SHEET
			06/26/12	1 of 1
UNIT	DWG. NO.	T6155AM-LTE-S		
mm				
SCALE	NEARSON			
1:2				