

Excellent Integrated System Limited

Stocking Distributor

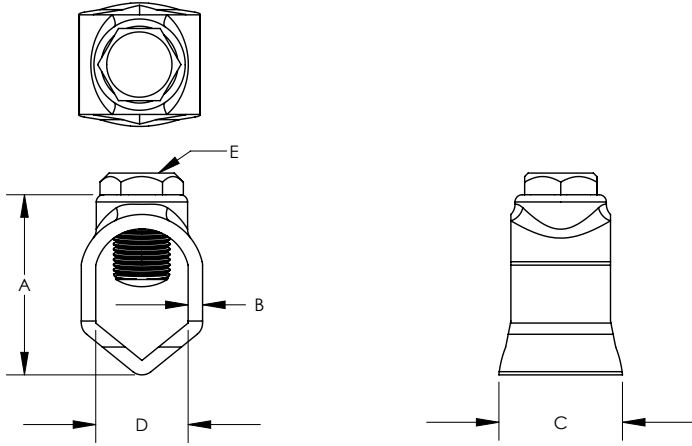
Click to view price, real time Inventory, Delivery & Lifecycle Information:

[Panduit](#)
[GRC2-12-TL](#)

For any questions, you can email us directly:

sales@integrated-circuit.com

THIS COPY IS PROVIDED ON A RESTRICTED BASIS AND IS NOT TO BE USED IN ANY WAY DETRIMENTAL TO THE INTERESTS OF PANDUIT CORP.



NOTES:

- MATERIAL:
BODY - ALUMINUM BRONZE
SCREW - PHOS. BRONZE
- PARTS ARE cULus LISTED to UL467 AS GROUNDING & BONDING EQUIPMENT.
- RATED FOR DIRECT BURIAL
- SEE WWW.PANDUIT.COM FOR PART NUMBER SUFFIX DESIGNATION OF PACKAGING SIZE.



DB RATED

PART NUMBER	DESCRIPTION	WATER PIPE	GROUNDING WIRE	DIMENSIONS - IN [mm] +/- .05 [1.3]				
				A	B	C	D	E
GRC4-38	GROUND ROD CLAMP STANDARD	3/8"	4 - 10 AWG	1.00 [25.4]	.13 [3.3]	.82 [20.8]	.44 [11.2]	1/2 HEX HEAD
GRC2-12	GROUND ROD CLAMP STANDARD	1/2"	2 - 10 AWG	1.19 [30.2]	.12 [3.0]	.68 [17.3]	.55 [14.0]	1/2 HEX HEAD
GRC2-58	GROUND ROD CLAMP STANDARD	5/8"	2 - 10 AWG	1.34 [34.0]	.12 [3.0]	.64 [16.3]	.69 [17.5]	1/2 HEX HEAD
GRC2-34	GROUND ROD CLAMP STANDARD	3/4"	2 - 10 AWG	1.48 [37.6]	.13 [3.3]	.71 [18.0]	.81 [20.6]	1/2 HEX HEAD
GRCH2-12	GROUND ROD CLAMP HEAVY DUTY	1/2"	2 - 10 AWG	1.25 [31.8]	.10 [2.5]	.82 [20.8]	.55 [14.0]	1/2 HEX HEAD
GRCH1/0-58	GROUND ROD CLAMP HEAVY DUTY	5/8"	1/0 - 8 AWG	1.42 [36.1]	.10 [2.5]	.99 [25.2]	.69 [17.5]	1/2 HEX HEAD
GRCH1/0-34	GROUND ROD CLAMP HEAVY DUTY	3/4"	1/0 - 8 AWG	1.60 [40.6]	.13 [3.3]	.97 [24.6]	.81 [20.6]	1/2 HEX HEAD

REV	DATE	BY	CHK	APR	DESCRIPTION	ECN
01	9/12	JHNU	SRBI	RGB	REVISED GROUNDING WIRE: REVISED TO FULL WIRE RANGE	10J018AA-JC
00	7/12	JHNU	SRBI	RGB	DRAWING RELEASED	10J018AA-JC

TITLE ALUMINUM BRONZE GROUND ROD CLAMP CUSTOMER DRAWING	
ITEM REVISION NAME 10J018AA/01	
DATASET FILE NAME 10J018AA-JC/01.SLDDRW	
UNLESS OTHERWISE SPECIFIED, DIMENSIONAL TOLERANCES ARE: IN [mm] .X ± .XXX ± .XX ± ANGLES ±	
THIRD ANGLE PROJECTION	
DRAWN BY JHNU	DATE 7/12
CHK SRBI	SCALE N/A
DRAWING NUMBER 10J018AA-JC	
SHEET 1 OF 1	