

Excellent Integrated System Limited

Stocking Distributor

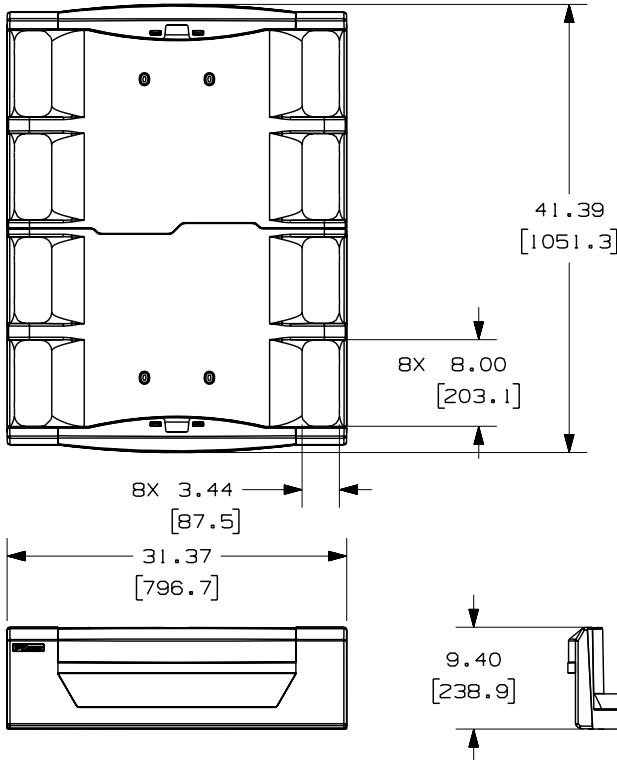
Click to view price, real time Inventory, Delivery & Lifecycle Information:

[Panduit](#)
[CRB6BL](#)

For any questions, you can email us directly:

sales@integrated-circuit.com

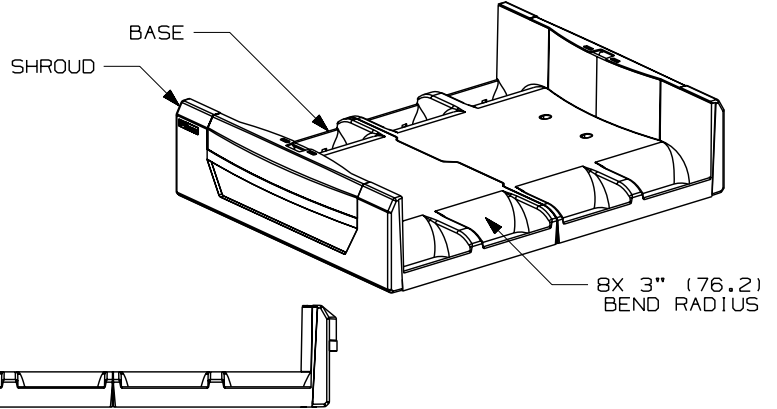
THIS COPY IS PROVIDED ON A RESTRICTED BASIS AND IS NOT TO BE USED IN ANY WAY DETRIMENTAL TO THE INTERESTS OF PANDUIT CORP.



PANDUIT PART NUMBER	WEIGHT
CRB6BL	17.58 LB/EA (7974g/EA)

NOTES:

- SEE CURRENT CATALOG FOR ADDITIONAL PART SUFFIXES TO INDICATE COLOR AND/OR PACKAGE QUANTITY.
- THE NET-ACCESS OVERHEAD CABLE ROUTING BASE INCLUDES:
TWO (2) BASES,
TWO (2) SHROUDS,
FOUR (4) 1/4-20x1 HEX SLOTTED WASHER HEAD MACHINE SCREWS,
FOUR (4) 1/4-20 HEX WASHER LOCK NUTS
- DIMENSIONS IN PARENTHESES ARE IN METRIC.



ENG. REF.: D39503CM_DC/00 CRB6BL

CAD FILENAME/LAYERS		CRB6BL.pdf	
PANDUIT CORP TINLEY PARK, ILLINOIS			
NET-ACCESS OVERHEAD CABLE ROUTING BASE (CRB6BL) CUSTOMER DRAWING			
UNLESS OTHERWISE SPECIFIED, DIMENSIONAL TOLERANCES ARE:		UNLESS OTHERWISE SPECIFIED, ALL DIMENSIONS ARE GIVEN IN INCHES, THIRD ANGLE PROJECTION.	
(.X) ±	(.XXX) ±		
(.XX) ± .03 (.8)	ANGLES ±		
DRAWN BY: MSO	MAT'L: ABS	SCALE: NONE	
DATE: 1-10-08		DRAWING NO. 39503-16	DWG SIZE: A
CHK'D: SL			

REV	DATE	BY	CHK	DESCRIPTION	ECN	R	CUST	SUP	GMBH
R	1-10-08	MSO	SL	RELEASED TO PRODUCTION	39503-16	RN	RN		