

Excellent Integrated System Limited

Stocking Distributor

Click to view price, real time Inventory, Delivery & Lifecycle Information:

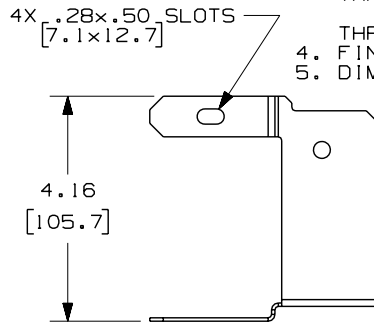
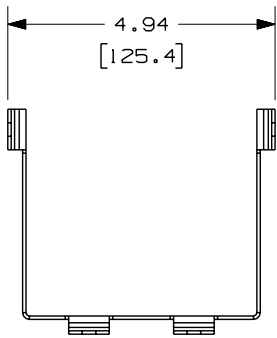
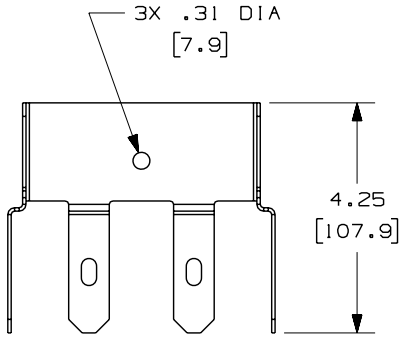
[Panduit](#)

[FADC4X4](#)

For any questions, you can email us directly:

sales@integrated-circuit.com

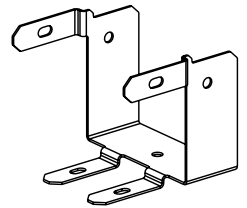
THIS COPY IS PROVIDED ON A RESTRICTED BASIS AND IS NOT TO BE USED IN ANY WAY DETRIMENTAL TO THE INTERESTS OF PANDUIT CORP.



PANDUIT PART NUMBER	WEIGHT
FADC4X4	0.55 LB/EACH (251g/EACH)

NOTES:

- SEE CURRENT CATALOG FOR ADDITIONAL PART SUFFIXES TO INDICATE PACKAGE QUANTITY.
- THE FIBER-DUCT 4x4 TO ADC 4x4 FIBERGUIDE FIBER CABLE MANAGEMENT SYSTEM ADAPTER ATTACHES TO THE ADC 4x4 FIBERGUIDE HORIZONTAL STRAIGHT SECTION USING THE SUPPLIED METALLIC HARDWARE LISTED BELOW. THE ADAPTER THEN ALLOWS FOR THE ATTACHMENT OF THE FIBER-DUCT 4x4 SOLID OR SLOTTED WALL CHANNEL USING THE SUPPLIED NYLON HARDWARE LISTED BELOW.
- THE FIBER-DUCT 4x4 TO ADC 4x4 FIBERGUIDE FIBER CABLE MANAGEMENT SYSTEM ADAPTER INCLUDES:
 ONE (1) ADAPTER,
 FOUR (4) 1/4-20x5/8 HEX HEAD CAP SCREWS,
 FOUR (4) 1/4-20 HEX NUTS,
 FOUR (4) .312x.734x.065 TYPE A PLAIN WASHERS,
 THREE (3) 1/4-20x5/8 NYLON COMBINATION BINDING HEAD MACHINE SCREWS,
 THREE (3) 1/4-20 NYLON DECO WING NUTS.
- FINISH COLOR: BLACK (EXCEPT FOR METALLIC HARDWARE)
- DIMENSIONS IN PARENTHESES ARE IN METRIC.



ENG. REF.: 37291BG_DC_FADC4X4_01.prt

CAD FILENAME/LAYERS		FADC4X4.pdf	
PANDUIT CORP TINLEY PARK, ILLINOIS			
FIBER-DUCT 4x4 TO ADC 4x4 FIBERGUIDE FIBER CABLE MANAGEMENT SYSTEM ADAPTER (FADC4X4) CUSTOMER DRAWING			
UNLESS OTHERWISE SPECIFIED, DIMENSIONAL TOLERANCES ARE: (.X) ± (XXX) ± (.XX) ±.03 (.8) ANGLES ±		UNLESS OTHERWISE SPECIFIED, ALL DIMENSIONS ARE GIVEN IN INCHES, THIRD ANGLE PROJECTION.	
DRAWN BY: JHNU	MAT'L: STEEL	SCALE: NONE	
DATE: 2-14-00		DRAWING NO.: 37291-10	DWG SIZE: A
CHK'D: WAB			

REV	DATE	BY	CHK	DESCRIPTION	ECN	R	CUST	SUP	GMBH
-	-----	---	--	E. REVISED GENERAL NOTES. D. REVISED DRAWING TITLE.	-----	--	--		
2	6-16-06	MSO	RN	C. REVISED CAD FILENAME, B. REV'D DWG. TO CUR. STAND.	37291-10	RN	RN		
1	1-31-01	MSO	WAB	A. ADDED DIM. TOLERANCE.	37291-10	HIW	HIW		
R	2-14-00	JHNU	WAB	RELEASED TO PRODUCTION	37291-10	HIW	HIW		