

## Excellent Integrated System Limited

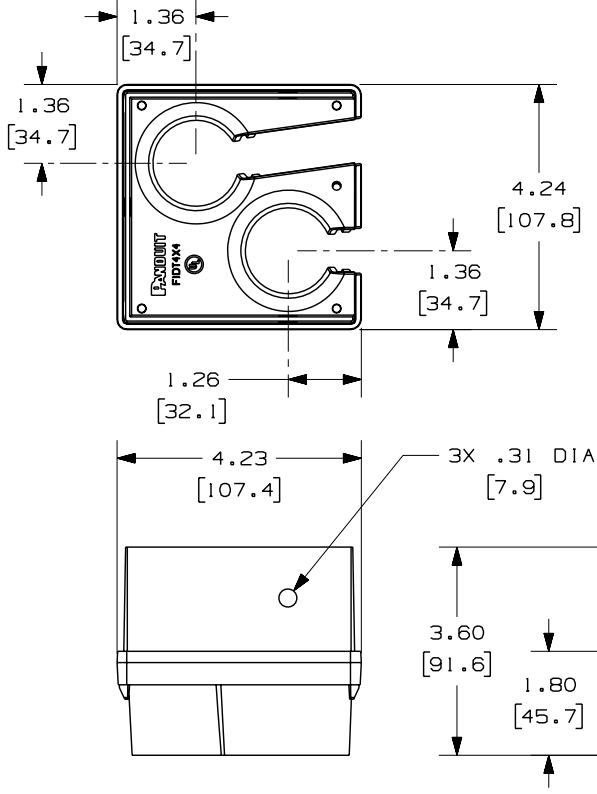
Stocking Distributor

Click to view price, real time Inventory, Delivery & Lifecycle Information:

[Panduit](#)  
[FIDT4X4BL](#)

For any questions, you can email us directly:  
[sales@integrated-circuit.com](mailto:sales@integrated-circuit.com)

THIS COPY IS PROVIDED ON A RESTRICTED BASIS AND IS NOT TO BE USED IN ANY WAY DETRIMENTAL TO THE INTERESTS OF PANDUIT CORP.

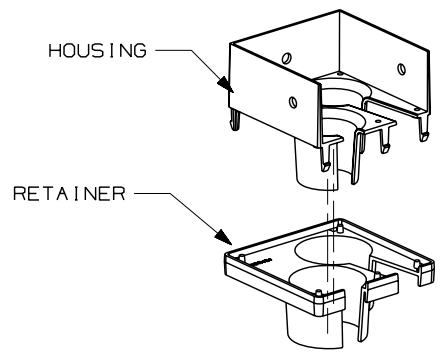


PANDUIT PART NUMBER	WEIGHT
FIDT4X4BL	0.35 LB/EACH (157g/EACH)



**NOTES:**

1. SEE CURRENT CATALOG FOR ADDITIONAL PART SUFFIXES TO INDICATE PACKAGE QUANTITY.
2. THE FIBER-DUCT 4x4 2-PORT SPILL-OUT TO 1 1/2" I.D. CORRUGATED LOOM TUBING IS USED TO CREATE A 2-PORT FLEXIBLE SPILL-OUT INTO EQUIPMENT FRAMES OR TELECOMMUNICATIONS CABINETS. THE SPILL-OUT ACCEPTS TWO (2) PIECES OF 1 1/2" (38.1) I.D. SLIT CORRUGATED LOOM TUBING (CLT150F-X\*\*, CLT150F-T20)
3. DIMENSIONS IN PARENTHESES ARE IN METRIC.



ENG. REF.: D37185FD\_DC\_FIDT4X4BL\_01.prt

CAD FILENAME/LAYERS		FIDT4X4BL.pdf	
<b>PANDUIT</b> CORP TINLEY PARK, ILLINOIS			
FIBER-DUCT 4x4 2-PORT SPILL-OUT TO 1 1/2" I.D. CORRUGATED LOOM TUBING (FIDT4X4BL)			
CUSTOMER DRAWING			
UNLESS OTHERWISE SPECIFIED, DIMENSIONAL TOLERANCES ARE:		UNLESS OTHERWISE SPECIFIED, ALL DIMENSIONS ARE GIVEN IN INCHES, THIRD ANGLE PROJECTION.	
(.X) ±	(.XXX) ±		
(.XX) ± .03 (.8)	ANGLES ±		
DRAWN BY: REWE	MAT'L: ABS	SCALE: NONE	
DATE: 5-9-00		DRAWING NO. 37185-76	DWG SIZE: A
CHK'D: WAB			

REV	DATE	BY	CHK	DESCRIPTION	ECN	R	CUST	SUP	GMBH
-	-	-	-	K. REVISED PART WEIGHT	-	-	-	-	-
-	-	-	-	J. REVISED GENERAL NOTES I. REVISED CAD FILENAME	-	-	-	-	-
4	6-21-06	MSO	RN	H. REVISED DRAWING TITLE G. REVISED AND REDRAWN	37185-76	RN	RN		