

## Excellent Integrated System Limited

Stocking Distributor

Click to view price, real time Inventory, Delivery & Lifecycle Information:

[Panduit](#)  
[FR6LB](#)

For any questions, you can email us directly:

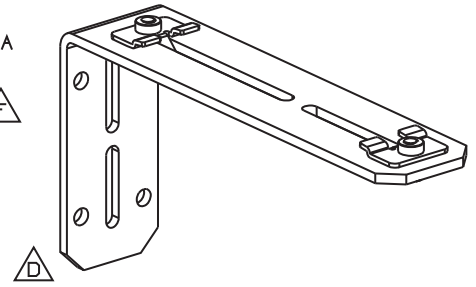
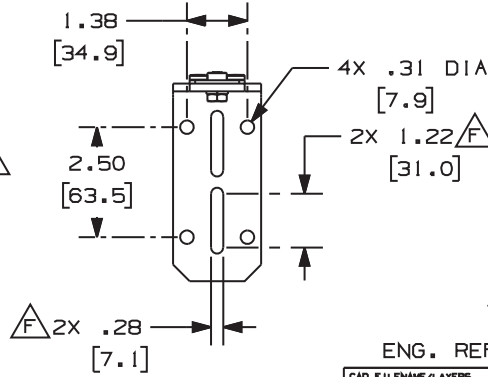
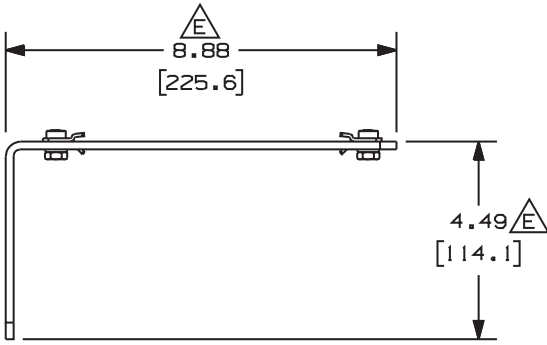
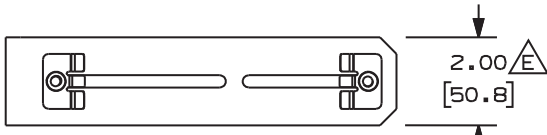
[sales@integrated-circuit.com](mailto:sales@integrated-circuit.com)

THIS COPY IS PROVIDED ON A RESTRICTED BASIS AND IS NOT TO BE USED IN ANY WAY DETRIMENTAL TO THE INTERESTS OF PANDUIT CORP.

PANDUIT PART NUMBER	WEIGHT
FR6LB	1.37 LB/EACH (621g/EACH)

**NOTES:**

- SEE CURRENT CATALOG FOR ADDITIONAL PART SUFFIXES TO INDICATE PACKAGE QUANTITY.
- THE FIBERRUNNER 6x4 QUIKLOCK WALL MOUNT "L" BRACKET IS USED TO SUPPORT THE FIBERRUNNER 4x4 AND/OR 6x4 CABLE ROUTING SYSTEMS FROM ANY FLAT SURFACE SUITABLE TO CARRY THE WEIGHT OF THE PATHWAY. NOTE THAT THE MOUNTING IS NOT INCLUDED AND WILL NEED TO BE SUPPLIED BY THE INSTALLER/END USER.
- THE FIBERRUNNER 6x4 QUIKLOCK WALL MOUNT "L" BRACKET INCLUDES:  
ONE (1) BRACKET ASSEMBLY
- FINISH COLOR: BLACK
- DIMENSIONS IN PARENTHESIS ARE IN METRIC.



ENG. REF.: D37585BE\_DC\_FR6LB\_01A.prt

CAD FILENAME/LAYERS: **FR6LB.pdf**

**PANDUIT** CORP TINLEY PARK, ILLINOIS  
**FIBERRUNNER 6x4 QUIKLOCK WALL MOUNT "L" BRACKET (FR6LB)**  
**CUSTOMER DRAWING**

UNLESS OTHERWISE SPECIFIED, DIMENSIONAL TOLERANCES ARE:  
 (.X) ± .03 (.8)      (.XXX) ± .005  
 (.XX) ± .03 (.8)      ANGLES ±

UNLESS OTHERWISE SPECIFIED, ALL DIMENSIONS ARE GIVEN IN INCHES, THIRD ANGLE PROJECTION.

REV	DATE	BY	CHK	DESCRIPTION	ECN	R	CUST	SUP	GMBH	CH'D	DATE	DRAWN BY	MAT'L	SCALE	DRAWING NO.	DRG SIZE
I	3-23-05	MSO	RPA	B. REVISED DRAWING TITLE. A. REVISED CAD FILENAME.	37585-22		RN	RN				MSO		NONE		
R	5-11-00	MSO	CVV	RELEASED TO PRODUCTION	37585-22		HIW	HIW			5-11-00	MSO	STEEL		37585-22	A
												CVV				