

## Excellent Integrated System Limited

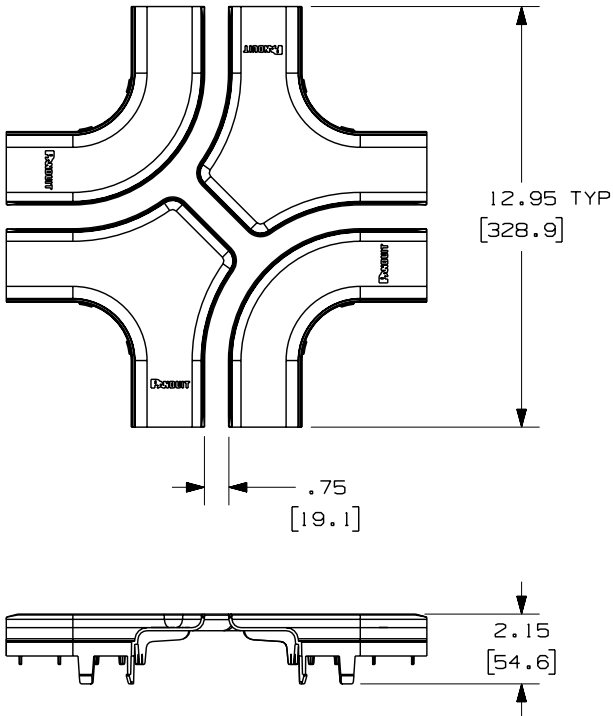
Stocking Distributor

Click to view price, real time Inventory, Delivery & Lifecycle Information:

[Panduit](#)  
[FRFWCSC4BL](#)

For any questions, you can email us directly:  
[sales@integrated-circuit.com](mailto:sales@integrated-circuit.com)

THIS COPY IS PROVIDED ON A RESTRICTED BASIS AND IS NOT TO BE USED IN ANY WAY DETRIMENTAL TO THE INTERESTS OF PANDUIT CORP.

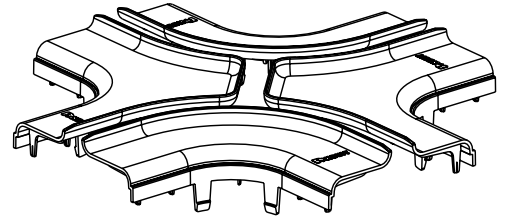


PANDUIT PART NUMBER	WEIGHT
FRFWCSC4	0.56 LB/EACH (254g/EACH)



**NOTES:**

- SEE CURRENT CATALOG FOR ADDITIONAL PART SUFFIXES TO INDICATE COLOR AND/OR PACKAGE QUANTITY.
- THE FIBERRUNNER 4x4 FOUR-WAY CROSS SPLIT COVER REQUIRES NO TOOLS FOR INSTALLATION AND/OR REMOVAL. THE SPLIT COVER CREATES A 3/4" (19.1) RADIUSED OPENING TO ALLOW FOR NEW CABLES TO BE ADDED WITHOUT THE NEED FOR REMOVING THE COVERS.
- DIMENSIONS IN PARENTHESES ARE IN METRIC.



ENG. REF.: D37847CY\_DC\_FRFWCSC4\_01.prt

CAD FILENAME/LAYERS FRFWCSC4.pdf

										<b>PANDUIT</b> CORP TINLEY PARK, ILLINOIS						
										FIBERRUNNER 4x4 FOUR-WAY CROSS SPLIT COVER (FRFWCSC4)						
										CUSTOMER DRAWING						
										UNLESS OTHERWISE SPECIFIED, DIMENSIONAL TOLERANCES ARE: (.X) ± (XXX) ± (.XX) ±.03 (.8) ANGLES ±						
										UNLESS OTHERWISE SPECIFIED, ALL DIMENSIONS ARE GIVEN IN INCHES, THIRD ANGLE PROJECTION.						
-	-----	---	---	E. REVISED GENERAL NOTES	-----	--	--			DRWN BY	JHNU	MAT'L:	ABS	SCALE	NONE	
-	-----	---	---	D. REVISED PART WEIGHT C. REVISED DRAWING TITLE	-----	--	--			DATE	7-16-01			DRAWING NO.		
1	6-27-06	DTP	RN	B. REVISED CAD FILENAME A. REVISED AND REDRAWN	37847-59	RN	RN			CHK'D	RPA			37847-59	DWG	A
REV	DATE	BY	CHK	DESCRIPTION	ECN	R	CUST	SUP	GMBH	CHK'D	RPA				SIZE	