

Excellent Integrated System Limited

Stocking Distributor

Click to view price, real time Inventory, Delivery & Lifecycle Information:

[Panduit](#)

[FRH45CV24BL](#)

For any questions, you can email us directly:

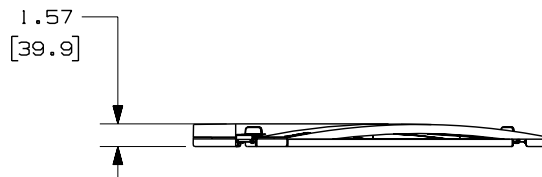
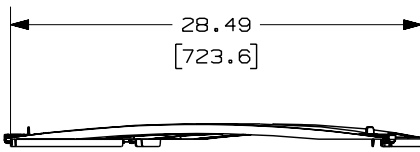
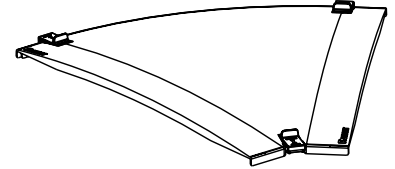
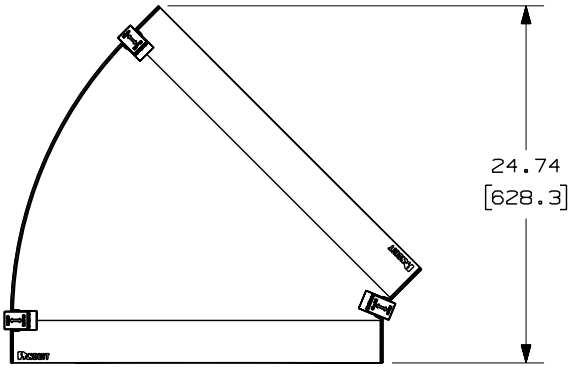
sales@integrated-circuit.com

THIS COPY IS PROVIDED ON A RESTRICTED BASIS AND IS NOT TO BE USED IN ANY WAY DETRIMENTAL TO THE INTERESTS OF PANDUIT CORP.

PANDUIT PART NUMBER	WEIGHT
FRH45CV24	3.18 LB/EACH (1442g/EACH)

NOTES:

- SEE CURRENT CATALOG FOR ADDITIONAL PART SUFFIXES TO INDICATE COLOR AND/OR PACKAGE QUANTITY.
- DIMENSIONS IN PARENTHESES ARE IN METRIC.



ENG. REF.: D39701EA_DC/00 FRH45CV24.prt

CAD FILENAME/LAYERS		FRH45CV24.pdf	
PANDUIT		CORP TINLEY PARK, ILLINOIS	
FIBERRUNNER 24x4 HORIZONTAL 45° ANGLE COVER (FRH45CV24) CUSTOMER DRAWING			
UNLESS OTHERWISE SPECIFIED, DIMENSIONAL TOLERANCES ARE:		UNLESS OTHERWISE SPECIFIED, ALL DIMENSIONS ARE GIVEN IN INCHES, THIRD ANGLE PROJECTION.	
(.X) ±	(.XXX) ±		
(.XX) ± .03 (.8)	ANGLES ±		
DRAWN BY: MSO	MAT'L: ABS	SCALE: NONE	
DATE: 7-8-09		DRAWING NO.:	DWG SIZE:
CHK'D: SL		39701-68	A

R	7-8-09	MSO	SL	RELEASED TO PRODUCTION	39701-68	RN	RN						
REV	DATE	BY	CHK	DESCRIPTION	ECN	R	CUST	SUP	GMBH				