

Excellent Integrated System Limited

Stocking Distributor

Click to view price, real time Inventory, Delivery & Lifecycle Information:

[Panduit](#)
[FROVRA4X4BL](#)

For any questions, you can email us directly:

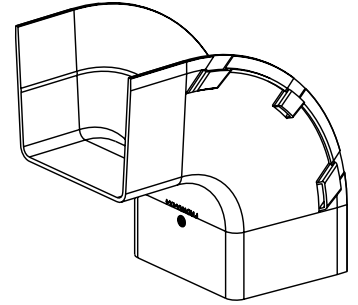
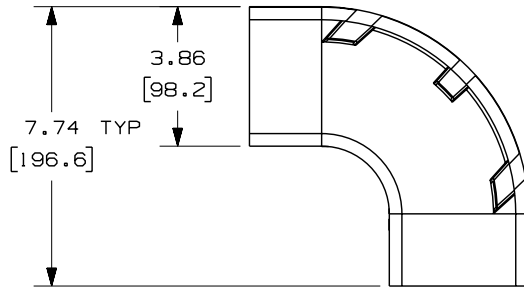
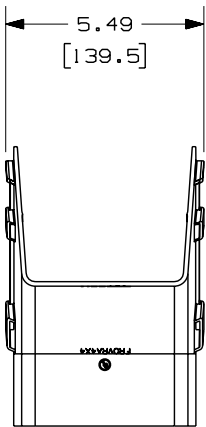
sales@integrated-circuit.com

THIS COPY IS PROVIDED ON A RESTRICTED BASIS AND IS NOT TO BE USED IN ANY WAY DETRIMENTAL TO THE INTERESTS OF PANDUIT CORP.

PANDUIT PART NUMBER	WEIGHT
FROVRA4X4	0.56 LB/EACH (254g/EACH)

NOTES:

1. SEE CURRENT CATALOG FOR ADDITIONAL PART SUFFIXES TO INDICATE COLOR AND/OR PACKAGE QUANTITY.
2. THE FIBERRUNNER 4x4 OUTSIDE VERTICAL RIGHT ANGLE FITTING IS DESIGNED WITH A MINIMUM 2" (50.8) BEND RADIUS TO PROTECT FIBER OPTIC CABLES.
3. DIMENSIONS IN PARENTHESES ARE IN METRIC.



ENG. REF. : D37847BS_DC_FROVRA4X4_02.prt

CAD FILENAME/LAYERS **E** FROVRA4X4.pdf

PANDUIT CORP TINLEY PARK, ILLINOIS
 FIBERRUNNER 4x4 OUTSIDE VERTICAL
 RIGHT ANGLE FITTING (FROVRA4X4)
 CUSTOMER DRAWING

UNLESS OTHERWISE SPECIFIED,
 DIMENSIONAL TOLERANCES ARE:
 (.X) ± (XXX) ±
 (.XX) ±.03 (.8) ANGLES ±

UNLESS OTHERWISE SPECIFIED,
 ALL DIMENSIONS ARE GIVEN IN
 INCHES, THIRD ANGLE PROJECTION.

-	-----	---	----	G. REVISED GENERAL NOTES F. REVISED PART WEIGHT	-----	--	--					DRAWN BY JHNU	MAT'L: ABS	SCALE NONE
2	7-7-06	DTP	RN	E. REVISED CAD FILENAME D. REVISED AND REDRAWN	37847-61	RN	RN					DATE 7-16-01		DRAWING NO. 37847-61
REV	DATE	BY	CHK	DESCRIPTION	ECN	R	CUST	SUP	GMBH	CHK'D LD				DWG A SIZE