

Excellent Integrated System Limited

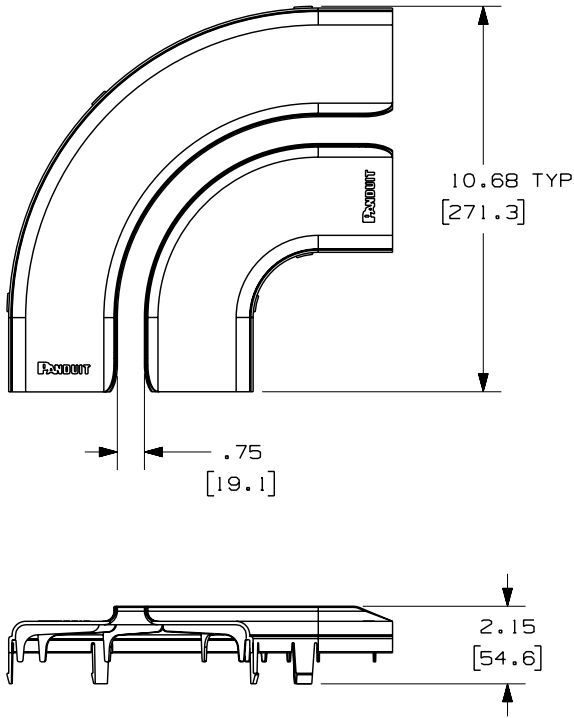
Stocking Distributor

Click to view price, real time Inventory, Delivery & Lifecycle Information:

[Panduit](#)
[FRRASC6BL](#)

For any questions, you can email us directly:
sales@integrated-circuit.com

THIS COPY IS PROVIDED ON A RESTRICTED BASIS AND IS NOT TO BE USED IN ANY WAY DETRIMENTAL TO THE INTERESTS OF PANDUIT CORP.

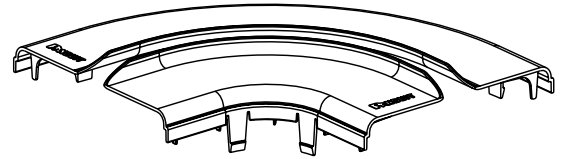


PANDUIT PART NUMBER	WEIGHT
FRRASC6	0.44 LB/EACH (199g/EACH)



NOTES:

1. SEE CURRENT CATALOG FOR ADDITIONAL PART SUFFIXES TO INDICATE COLOR AND/OR PACKAGE QUANTITY.
2. THE FIBERRUNNER 6x4 HORIZONTAL RIGHT ANGLE SPLIT COVER REQUIRES NO TOOLS FOR INSTALLATION AND/OR REMOVAL. THE SPLIT COVER CREATES A 3/4" (19.1) RADIUS OPENING TO ALLOW FOR NEW CABLES TO BE ADDED WITHOUT THE NEED FOR REMOVING THE COVERS.
3. DIMENSIONS IN PARENTHESES ARE IN METRIC.



ENG. REF.: D37185EU_DC_FRRASC6_01.prt

CAD FILENAME/LAYERS		FRRASC6.pdf	
PANDUIT CORP		TINLEY PARK, ILLINOIS	
FIBERRUNNER 6x4 HORIZONTAL RIGHT ANGLE SPLIT COVER (FRRASC6) CUSTOMER DRAWING			
UNLESS OTHERWISE SPECIFIED, DIMENSIONAL TOLERANCES ARE: (.X) ± .03 (.8) (.XXX) ± .03 (.8) (.XX) ± .03 (.8) ANGLES ±		UNLESS OTHERWISE SPECIFIED, ALL DIMENSIONS ARE GIVEN IN INCHES, THIRD ANGLE PROJECTION.	
DRAWN BY: REWE	MATERIAL: ABS	SCALE: NONE	
DATE: 5-4-00		DRAWING NO.: 37185-67	DWG SIZE: A
CHK'D: HIW			

REV	DATE	BY	CHK	DESCRIPTION	ECN	R	CUST	SUP	GMBH
-	-	-	-	H. REVISED PART WEIGHT	-	-	-	-	-
-	-	-	-	G. REVISED GENERAL NOTES F. REVISED CAD FILENAME	-	-	-	-	-
2	7-12-06	DTP	RN	E. REVISED DRAWING TITLE D. REVISED AND REDRAWN	37185-67	RN	RN		