

Excellent Integrated System Limited

Stocking Distributor

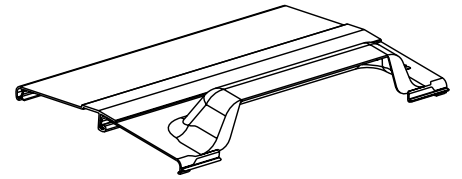
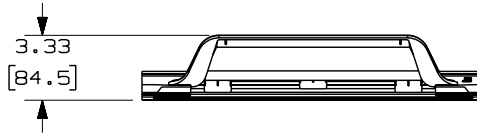
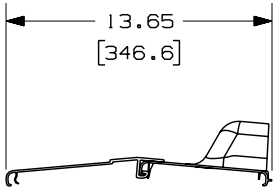
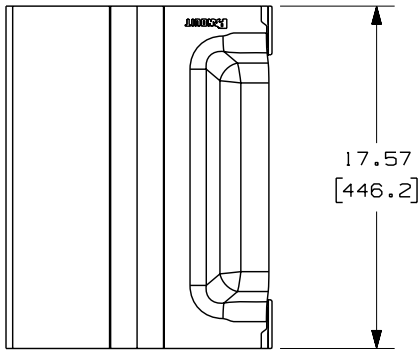
Click to view price, real time Inventory, Delivery & Lifecycle Information:

[Panduit](#)
[FRSP412CYL](#)

For any questions, you can email us directly:

sales@integrated-circuit.com

THIS COPY IS PROVIDED ON A RESTRICTED BASIS AND IS NOT TO BE USED IN ANY WAY DETRIMENTAL TO THE INTERESTS OF PANDUIT CORP.



PANDUIT PART NUMBER	WEIGHT
FRSP412C	1.73 LB/EACH (784g/EACH)



NOTES:

- SEE CURRENT CATALOG FOR ADDITIONAL PART SUFFIXES TO INDICATE COLOR AND/OR PACKAGE QUANTITY.
- DIMENSIONS IN PARENTHESES ARE IN METRIC.

ENG. REF.: D38206B0_DC_FRSP412C_01.prt

CAD FILENAME/LAYERS		FRSP412C.pdf	
PANDUIT CORP		TINLEY PARK, ILLINOIS	
FIBERRUNNER 12x4 SPILL-OVER JUNCTION WITH 4" EXIT HINGED COVER (FRSP412C) CUSTOMER DRAWING			
UNLESS OTHERWISE SPECIFIED, DIMENSIONAL TOLERANCES ARE:		UNLESS OTHERWISE SPECIFIED, ALL DIMENSIONS ARE GIVEN IN INCHES, THIRD ANGLE PROJECTION.	
(.X) ±	(.XXX) ±		
(.XX) ± .03 (.8)	ANGLES ±		
DRAWN BY: JHNU	MAT'L: ABS/PVC	SCALE: NONE	DWG SIZE: A
DATE: 10-10-02	CHK'D: RPA	DRAWING NO.: 38206-14	

REV	DATE	BY	CHK	DESCRIPTION	ECN	R	CUST	SUP	GMBH
-	-----	---	---	E. REVISED PART WEIGHT	-----	--	--		
-	-----	---	---	D. REVISED GENERAL NOTES C. REVISED CAD FILENAME	-----	--	--		
1	7-17-06	DTP	RN	B. REVISED DRAWING TITLE A. REVISED AND REDRAWN	38206-14	RN	RN		