

## Excellent Integrated System Limited

Stocking Distributor

Click to view price, real time Inventory, Delivery & Lifecycle Information:

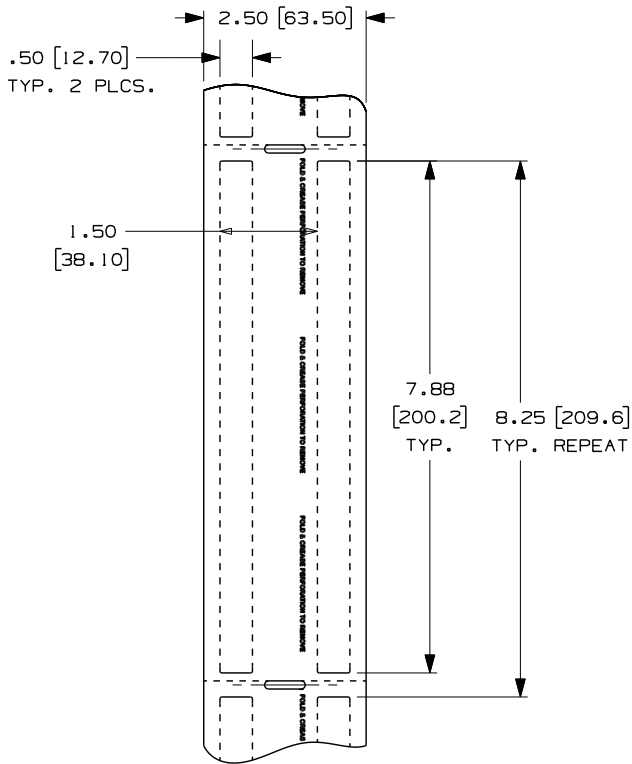
[Panduit](#)

[C788X050Y1T](#)

For any questions, you can email us directly:

[sales@integrated-circuit.com](mailto:sales@integrated-circuit.com)

THIS COPY IS PROVIDED ON A RESTRICTED BASIS AND IS NOT TO BE USED IN ANY WAY DETRIMENTAL TO THE INTERESTS OF PANDUIT CORP.



PART NO.	MARKER SIZE inches (mm)	LABELS PER ROW	LABELS PER ROLL
C788X050Y1T	7.88 X .50 [ 200.2 ] X [ 12.7 ]	2	1000

CAD FILENAME/LAYERS 100472KN\_DC\_C10737/02C

						PANDUIT CORP. TINLEY PARK, ILLINOIS		
						CUSTOMER DRAWING C788X050Y1T THERMAL TRANSFER PRINTABLE LABELS		
3	7/17/09	RVU	GMH5 WAS GMY10.	5799	R	UNLESS OTHERWISE SPECIFIED, DIMENSIONAL TOLERANCES ARE: (.X) ± .1 (.XXX) ± .025 (.XX) ± .050 ANGLES ±	UNLESS OTHERWISE SPECIFIED, ALL DIMENSIONS ARE GIVEN IN INCHES, THIRD ANGLE PROJECTION.	
2	2/2/09	RVU	ADD TEXT, "FOLD & CREASE PERFORATION TO REMOVE".	5652	R			
1	12/12/08	RVU	GMY10 WAS GMY9. 8.25" WAS 8.23".	5617	R			
0	8/25/08	RVU	DRAWING RELEASE.	4783	R	DRAWN BY RVU DATE 08/25/08 CHK'D	MAT'L:  GMH5 NON-ADHESIVE WHITE POLYESTER	SCALE NTS DRAWING NO. C10737 DWG A SIZE
REV	DATE	BY	CHK	DESCRIPTION	ECN	R	CUST	SUP