

## Excellent Integrated System Limited

Stocking Distributor

Click to view price, real time Inventory, Delivery & Lifecycle Information:

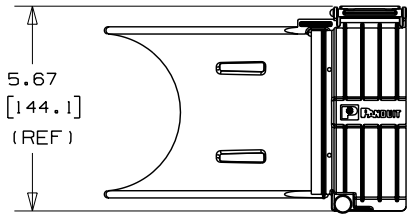
[Panduit](#)  
[CWF400](#)

For any questions, you can email us directly:

[sales@integrated-circuit.com](mailto:sales@integrated-circuit.com)

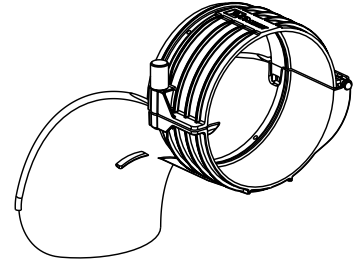
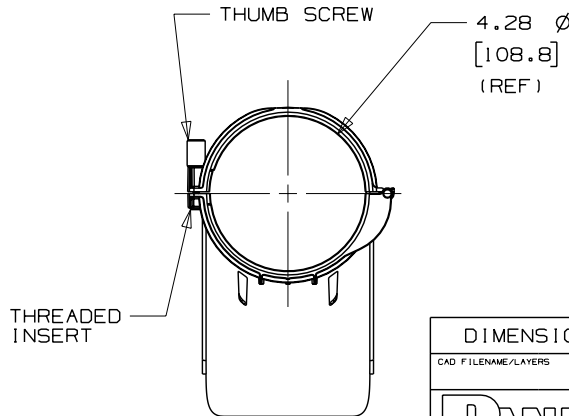
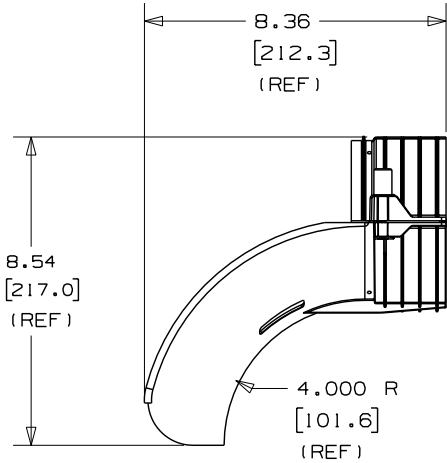
THIS COPY IS PROVIDED ON A RESTRICTED BASIS AND IS NOT TO BE USED IN ANY WAY DETRIMENTAL TO THE INTERESTS OF PANDUIT CORP.

PANDUIT PART NO.	WEIGHT lbs 1 (g) pc
CWF400	0.53 (240)



**NOTES:**

1. SEE CURRENT PRICE SHEET FOR PART NUMBER SUFFIX DESIGNATION FOR PACKAGE SIZE AND PRODUCT COLOR.
2. SPILLWAY MATERIAL: FR GLASS FILLED NYLON 6/6  
THUMB SCREW MATERIAL: BRASS  
THREADED INSERT MATERIAL: ALUMINUM
3. PRODUCT IS DESIGNED TO SUPPORT A MAXIMUM OF 4" (101.6) DIAMETER BUNDLE. MAXIMUM RECOMMENDED STATIC LOAD: 30 lbs (13.6kg).
4. PRODUCT IS DESIGNED FOR 4" EMT TUBING.



DIMENSIONS IN BRACKETS ARE METRIC (mm)	
CAD FILENAME/LAYERS G03203CA_PB_CWF400_00	
<b>PANDUIT</b> CORP. TINLEY PARK, ILLINOIS	
CONDUIT WATERFALL -- 4" EMT COMPATIBLE (CWF400)	
UNLESS OTHERWISE SPECIFIED, DIMENSIONAL TOLERANCES ARE: (.X) ±0.05 (1.3) (.XXX) ±0.010 (0.25) (.XX) ±0.02 (0.5) ANGLES ±5°	UNLESS OTHERWISE SPECIFIED, ALL DIMENSIONS ARE GIVEN IN INCHES, THIRD ANGLE PROJECTION.
DRAWN BY JAD DATE 1/9/07 CHK'D	MAT'L: SEE NOTE 1 SCALE 1/4 DRAWING NO. GB3203CA DWG SIZE A

REV	DATE	BY	CHK	DESCRIPTION	ECN	R	CUST	SUP
R	1/9/07	JAD		INITIAL RELEASE	GB3203CA	R		