

## **Excellent Integrated System Limited**

Stocking Distributor

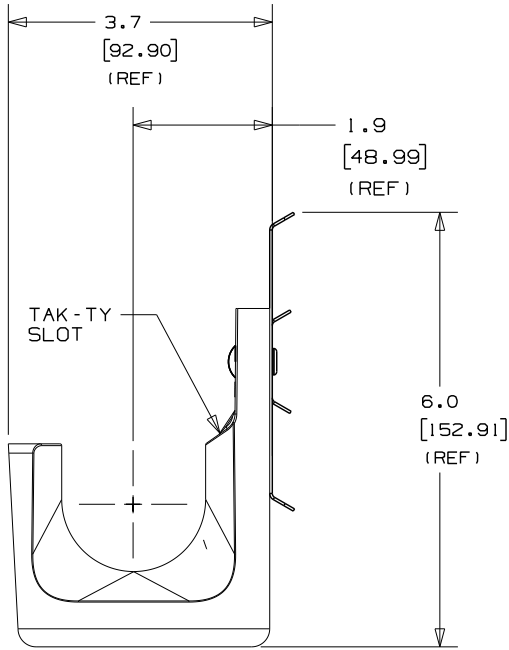
Click to view price, real time Inventory, Delivery & Lifecycle Information:

[Panduit](#)  
[JP2DW-L](#)

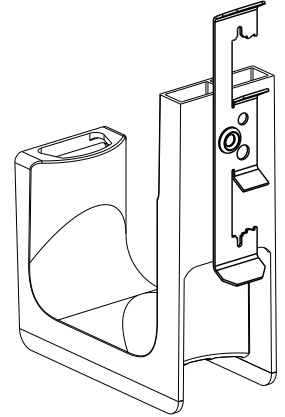
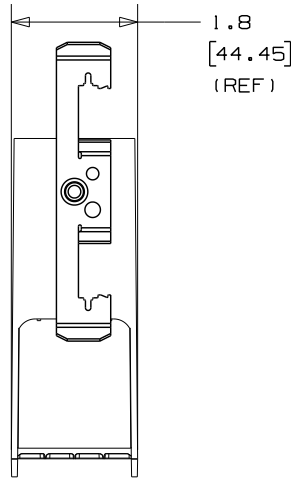
For any questions, you can email us directly:

[sales@integrated-circuit.com](mailto:sales@integrated-circuit.com)

THIS COPY IS PROVIDED ON A RESTRICTED BASIS AND IS NOT TO BE USED IN ANY WAY DETRIMENTAL TO THE INTERESTS OF PANDUIT CORP.



PANDUIT PART NO.	APPLICATION OPTIONS	WEIGHT lbs 10 (g) pcs
JP2DW- ----	#12 WIRE, UP TO 3/8" DIAMETER THREADED ROD, OR 1/8"-3/8" FLANGES	1.58 (720.0)



NOTES:

- SEE CURRENT PRICE SHEET FOR PART NUMBER SUFFIX DESIGNATION FOR PACKAGE SIZE AND PRODUCT COLOR.
- HOOK MATERIAL: NYLON 6/6  
RIVET MATERIAL: ALUMINUM  
CLIP MATERIAL: SPRING STEEL
- PRODUCT IS DESIGNED TO SUPPORT A MAXIMUM OF 2" (50.8) DIAMETER BUNDLE. MAXIMUM RECOMMENDED STATIC LOAD: 10 lbs.
- PRODUCT INCORPORATES FEATURES ALLOWING USER TO RETAIN CABLE BUNDLES IN J-PRO J-HOOK WITH TAK-TY CABLE TIES UP TO 3/4" WIDE.
- PRODUCT MARKINGS:  
cULus logo and statement:  
"SUITABLE FOR USE IN AIR HANDLING SPACES IN ACCORDANCE WITH SECTION 300-22 (C) & (D) OF THE NATIONAL ELECTRIC CODE."  
ULC logo and statement:  
"IN ACCORDANCE WITH CAN/ULC S-102.2 IN SINGLE UNITS OR PAIRS, 4 ft (1220mm) MIN. SPACING, FSR=0, SDC=20."

DIMENSIONS IN BRACKETS ARE METRIC [ mm ]	
CAD FILENAME/LAYERS 10K016BC_DC_GB2888F1/01A	
CORP. TINLEY PARK, ILLINOIS	
J-PRO J-HOOK DROP WIRE AND THREADED ROD CLIP (JP2DW- ----)	
UNLESS OTHERWISE SPECIFIED, DIMENSIONAL TOLERANCES ARE: (.X) ±0.05 (1.3) (.XXX) ±0.010 (0.25) (.XX) ±0.02 (0.5) ANGLES ± 5°	UNLESS OTHERWISE SPECIFIED, ALL DIMENSIONS ARE GIVEN IN INCHES, THIRD ANGLE PROJECTION.
DRAWN BY JAD	MAT'L:
DATE 4/7/04	SEE NOTE 2
CHK'D KLN	SCALE NONE
	DRAWING NO. GB2888F1
	DBG SIZE A

REV	DATE	BY	CHK	DESCRIPTION	ECN	R	CUST	SUP	QC
01A	10/26/10	APW	DJW	REVISED DIMENSIONS, UPDATED TO TEAMCENTER FORMAT	GB2888F1	01A	KLN		
2	4/7/05	JAD		COMPLETELY REVISED, RE-RELEASE WITH NEW GEOMETRY	GB2888F1	2			