

## **Excellent Integrated System Limited**

Stocking Distributor

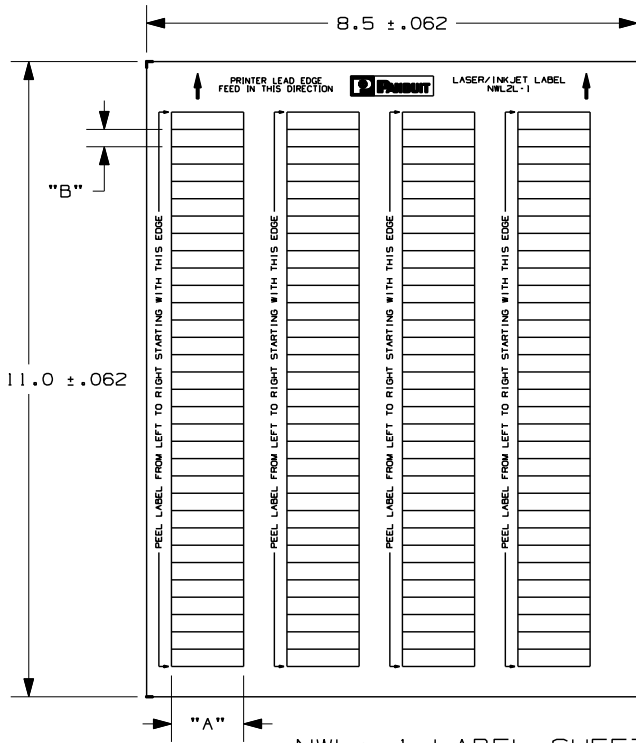
Click to view price, real time Inventory, Delivery & Lifecycle Information:

[Panduit](#)  
[NWL2-1](#)

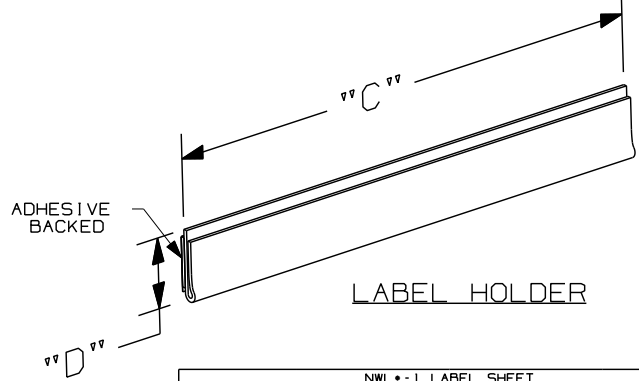
For any questions, you can email us directly:

[sales@integrated-circuit.com](mailto:sales@integrated-circuit.com)

THIS COPY IS PROVIDED ON A RESTRICTED BASIS AND IS NOT TO BE USED IN ANY WAY DETRIMENTAL TO THE INTERESTS OF PANDUIT CORP.



NWL\* - 1 LABEL SHEET



LABEL HOLDER

NWL* - 1 LABEL SHEET			
PANDUIT PART NO.	"A"	"B"	CUSTOMER DRAWING NO.
NWL2L-1	1.25 (31.8)	.50 (12.7)	C10812
NWL2-1	1.25 (31.8)	.30 (7.62)	C10810
NWL4-1	2.62 (66.5)	.30 (7.62)	C10813
NWL6-1	3.90 (99.1)	.30 (7.62)	C10813

LABEL HOLDERS					
PANDUIT PART NO.	LABEL PART	LABEL QTY.	HOLDER "C"	HOLDER "D"	HOLDER QTY.
NWL2L-KIT	NWL2L	5 SHEET	1.255 +/- .06	.550 +/- .032	380
NWL2-KIT	NWL2	3 SHEET	1.255 +/- .06	.350 +/- .032	380
NWL4-KIT	NWL4	7 SHEET	2.625 +/- .07	.350 +/- .032	336
NWL6-KIT	NWL6	7 SHEET	3.855 +/- .07	.350 +/- .032	336

CAD FILENAME/LAYERS 100617GR-DC-C10811/00A

PANDUIT CORP. TINLEY PARK, ILLINOIS

CUSTOMER DRAWING  
 NWL\* - KIT FOR LABEL HOLDER AND LABEL SHEET

UNLESS OTHERWISE SPECIFIED,  
 DIMENSIONAL TOLERANCES ARE:  
 (.X) ± .12 (.XXX) ± .025  
 (.XX) ± .062 ANGLES ±

UNLESS OTHERWISE SPECIFIED,  
 ALL DIMENSIONS ARE GIVEN  
 IN INCHES, THIRD ANGLE PROJECTION.

DRAWN BY RVU  
 DATE 12/01/09  
 CHK'D  
 MAT'L:  
 CLIP- CLEAR VINYL  
 LABEL- WHITE POLYESTER

SCALE NTS  
 DRAWING NO. C10811  
 DWG SIZE A

REV	DATE	BY	CHK	DESCRIPTION	ECN	R	CUST	SUP
0	12/1/09	RVU		DRAWING RELEASE.	5918	R		