

Excellent Integrated System Limited

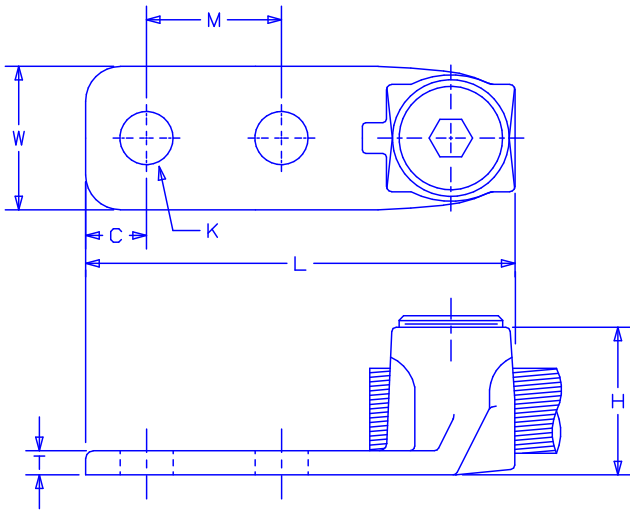
Stocking Distributor

Click to view price, real time Inventory, Delivery & Lifecycle Information:

[Panduit](#)
[PNL-1/0-2-L](#)

For any questions, you can email us directly:
sales@integrated-circuit.com

THIS COPY IS PROVIDED ON A RESTRICTED BASIS AND IS NOT TO BE USED IN ANY WAY DETRIMENTAL TO THE INTERESTS OF PANDUIT CORP.



NOTES:

1. UL LISTED.
2. FOR COPPER WIRE ONLY.
3. MADE IN THE USA.

CATALOG NUMBER	CONDUCTOR RANGE	WIRE DIAMETER RANGE	APPROXIMATE DIMENSIONS														WRENCH SIZE	TORQUE VALUE IN-LBS
			C		K		H		L		T		W		M			
			in	mm	in	mm	in	mm	in	mm	in	mm	in	mm	in	mm		
PNL-1/0-2-L	8 SOLID-1/0STR.	.128-.375	.44	11.1	.34	8.7	.84	21	2.75	70	.19	4.7	.75	19	1	25	1/4	200
PNL-250-2-Q	6 SOLID-250MCM	.162-.575	.44	11.1	.44	11.1	1.03	26	2.88	73	.22	5.5	.94	24	1	25	1/4	200
PNL-500-2-3	4 SOLID-500MCM	.204-.815	.44	11.1	.44	11.1	1.47	36	3.38	86	.31	7.9	1.38	35	1	25	3/8	375
PNL-1000-2-3	500MCM-1000MCM	.815-1.153	.56	14.2	.56	14.2	2.00	51	4.88	124	.38	9.5	1.75	44	1.50	38	3/8	375

C41175_03

03	3-05	JHNU		REVISED "M" DIMENSION FOR PNL-1000-2-3: 1.5 WAS 1.75, 38 WAS 44.														
02	3-01	RM		FILESPEC WAS N41175CA_PCD_01														
01	12/00	KMK	SKB	PNL-500-2-3 WAS PNL-500-2-E PNL-1000-2-3 WAS PNL-1000-2-6	08880	JAC/ SKB	RK											
00	10/96	TM	WJB	RELEASED	05219	LA	RJM											
REV	DATE	BY	CHK	DESCRIPTION	ECN #	CUST	PM	DRAWN BY	CHK'D	SCALE	DRAWING NO.							
								EJD	WJB	N/A	C41175							



2 HOLE MOUNT CONE SCREW LUG TYPE PNL
CUSTOMER DRAWING