

## Excellent Integrated System Limited

Stocking Distributor

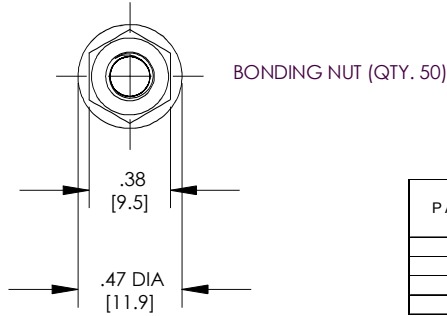
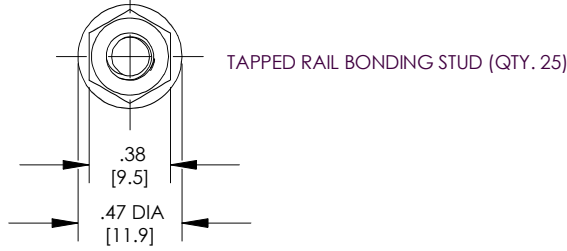
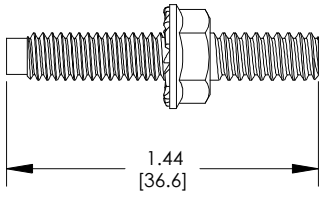
Click to view price, real time Inventory, Delivery & Lifecycle Information:

[Panduit](#)  
[TRBS1032K](#)

For any questions, you can email us directly:

[sales@integrated-circuit.com](mailto:sales@integrated-circuit.com)

THIS COPY IS PROVIDED ON A RESTRICTED BASIS AND IS NOT TO BE USED IN ANY WAY DETRIMENTAL TO THE INTERESTS OF PANDUIT CORP.



NOTES:

- TAPPED RAIL BONDING STUD KITS  
PART NUMBER: TRBSK  
TRBS1032K  
TRBSM6K  
TRBSM5K
- PACKAGING: 4 KITS PER BOX
- DIMENSIONS IN PARENTHESIS ARE MILLIMETERS.
- ALL COMPONENTS THAT MAKE UP THIS KIT ARE RoHS COMPLIANT.

PART NUMBER	TAPPED RAIL BONDING STUD SIZE	QTY.	BONDING NUT SIZE	QTY.
TRBSK	#12-24	25	#12-24	50
TRBS1032K	#10-32	25	#10-32	50
TRBSM6K	M6	25	M6	50
TRBSM5K	M5	25	M5	50



C41700\_00

							<b>PANDUIT CORP. TINLEY PARK, ILLINOIS</b> TAPPED RAIL BONDING STUD KITS (TRBSK, TRBS1032K, TRBSM6K, TRBSM5K) CUSTOMER DRAWING				
00	2/07	JHNU	JMAR	DRAWING RELEASED						PC00674	
<b>REV</b>	<b>DATE</b>	<b>BY</b>	<b>CHK</b>	<b>DESCRIPTION</b>	<b>ECN</b>	<b>PM</b>	<b>CUST</b>	<b>DRAWN BY</b> JHNU	<b>CHK'D</b>	<b>SCALE</b> NONE	<b>DRAWING NO / CAD FILE</b> C41700