

## Excellent Integrated System Limited

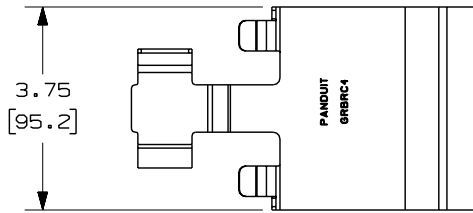
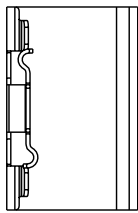
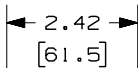
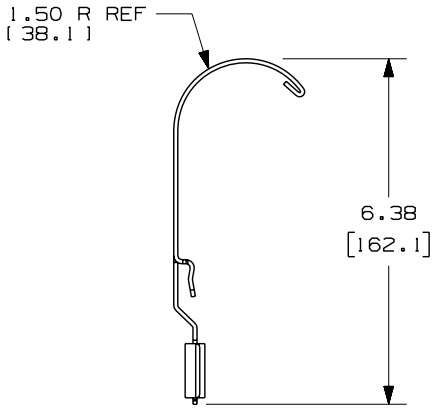
Stocking Distributor

Click to view price, real time Inventory, Delivery & Lifecycle Information:

[Panduit](#)  
[GRBRC4PG](#)

For any questions, you can email us directly:  
[sales@integrated-circuit.com](mailto:sales@integrated-circuit.com)

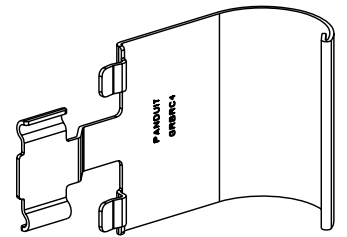
THIS COPY IS PROVIDED ON A RESTRICTED BASIS AND IS NOT TO BE USED IN ANY WAY DETRIMENTAL TO THE INTERESTS OF PANDUIT CORP.



PANDUIT PART NUMBER	WEIGHT
GRBRC4PG	0.59 LB/EA (268g/EA)

NOTES:

- SEE CURRENT CATALOG FOR ADDITIONAL PART SUFFIXES TO INDICATE PACKAGE QUANTITY.
- DIMENSIONS IN PARENTHESES ARE IN METRIC.



ENG. REF.: D39065JZ\_DC/00 GRBRC4

CAD FILENAME/LAYERS		GRBRC4PG.pdf	
<h1>PANDUIT</h1> CORP    TINLEY PARK, ILLINOIS			
<b>GRIDRUNNER BEND RADIUS CONTROL</b> <b>- 4" DEEP BASKET (GRBRC4PG)</b> CUSTOMER DRAWING			
UNLESS OTHERWISE SPECIFIED, DIMENSIONAL TOLERANCES ARE:		UNLESS OTHERWISE SPECIFIED, ALL DIMENSIONS ARE GIVEN IN INCHES, THIRD ANGLE PROJECTION.	
(.X) ±                    (.XXX) ± (.XX) ± .05 (1.3)    ANGLES ±			
DRAWN BY: MSO DATE: 10-30-07 CHK'D: SABR	MAT'L: PRE-GALVANIZED STEEL	SCALE: NONE	DRAWING NO.: 39065-73 DWG SIZE: A

REV	DATE	BY	CHK	DESCRIPTION	ECN	R	CUST	SUP	GMBH
R	10-30-07	MSO	SABR	RELEASED TO PRODUCTION	39065-73	RN	RN		