

## Excellent Integrated System Limited

Stocking Distributor

Click to view price, real time Inventory, Delivery & Lifecycle Information:

[Panduit](#)  
[JMN6-C](#)

For any questions, you can email us directly:  
[sales@integrated-circuit.com](mailto:sales@integrated-circuit.com)

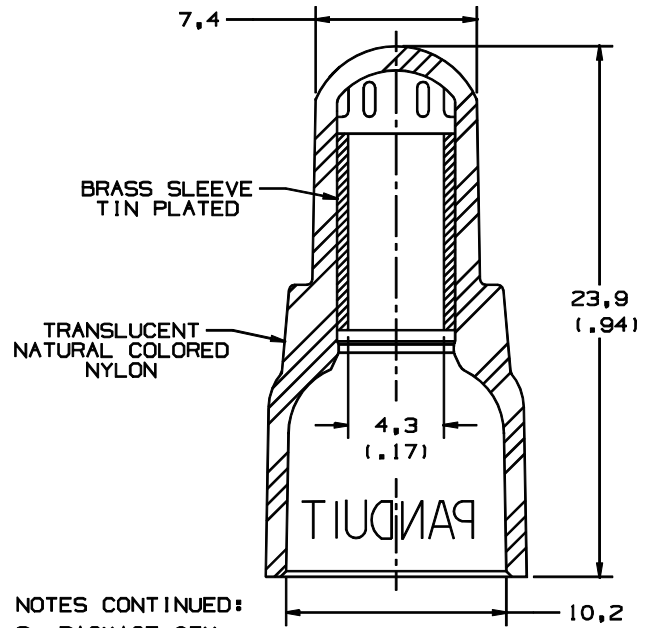
THIS COPY IS PROVIDED ON A RESTRICTED BASIS AND IS NOT TO BE USED IN ANY WAY DETRIMENTAL TO THE INTERESTS OF PANDUIT CORP.

WIRE COMBINATION CHART FOR JMN6  
WIRE JOINT

WIRE SIZE mm <sup>2</sup>	NO. OF WIRES	NUMBER OF ADDITIONAL WIRES OF ONE SIZE					
		0,75mm <sup>2</sup>	1,0mm <sup>2</sup>	1,5mm <sup>2</sup>	2,5mm <sup>2</sup>	4,0mm <sup>2</sup>	6,0mm <sup>2</sup>
0,75	1	3-8	3-6	2-4	1-2	1	1
	2	2-7	2-5	2-4	1-2	1	1
	3	1-6	1-5	1-3	1-2	1	0
	4	1-5	1-4	1-3	1	1	0
	5	1-4	1-3	1-2	1	0	0
	6	1-3	1-3	1-2	1	0	0
	7	1-2	1-2	1	0	0	0
	8	1	1	1	0	0	0
	9	0	0	0	0	0	0
1,0	1	3-8	3-6	2-4	1-2	1	1
	2	2-7	2-5	1-3	1-2	1	0
	3	1-5	1-4	1-2	1	0	0
	4	1-4	1-3	1-2	1	0	0
	5	1-3	1-2	1	0	0	0
	6	1	1	0	0	0	0
	7	0	0	0	0	0	0
1,5	1	3-7	2-5	2-4	1-2	1	1
	2	1-5	1-4	1-3	1	1	0
	3	1-3	1-3	1-2	1	0	0
	4	1	1	1	0	0	0
	5	0	0	0	0	0	0
2,5	1	2-6	1-4	1-3	1-2	1	0
	2	1-3	1-2	1	1	0	0
	3	0	0	0	0	0	0
4,0	1	1-4	1-3	1-2	1	0	0
6,0	1	1	1	1	0	0	0

NOTES:

- USED FOR:
  - 600V. MAX. VOLTAGE RATING
  - 105°C (221°F) MAX. TEMP. RATING
  - STRANDED COPPER WIRE ONLY



NOTES CONTINUED:

- PACKAGE QTY:
  - STD: -C = 100
  - BULK: -M = 1000
- DIMENSIONS ARE IN mm AND BRACKETED DIMENSIONS ARE IN INCHES
- INSTALLATION TOOLS: REF DWGS A41522, A41523, A41524, A41525
- WIRE STRIP LENGTH  $12,7^{+0,8}_{-0}$  ( $1/2^{+1/32}_{-0}$ )
- TWIST ENDS OF STRIPPED WIRE TOGETHER BEFORE INSERTING INTO WIRE JOINT

										A41542_02					
02	1/01	RM		FILESPEC WAS NPC_A41542_01						TINLEY PARK, ILLINOIS					
01	10/97	JAMB		CHANGED PERIODS TO COMMAS ON ALL METRIC DIMENSIONS.				06426		METRIC NYLON INSULATED WIRE JOINT JMN6					
00	3/92	BK	RLS	RELEASED					KS	LA					
REV	DATE	BY	CHK	DESCRIPTION				ECN #	PM	CUST	DRAWN BY	DATE	SCALE	DRAWING NO.	
											BDK		LA	NONE	A41542