

## Excellent Integrated System Limited

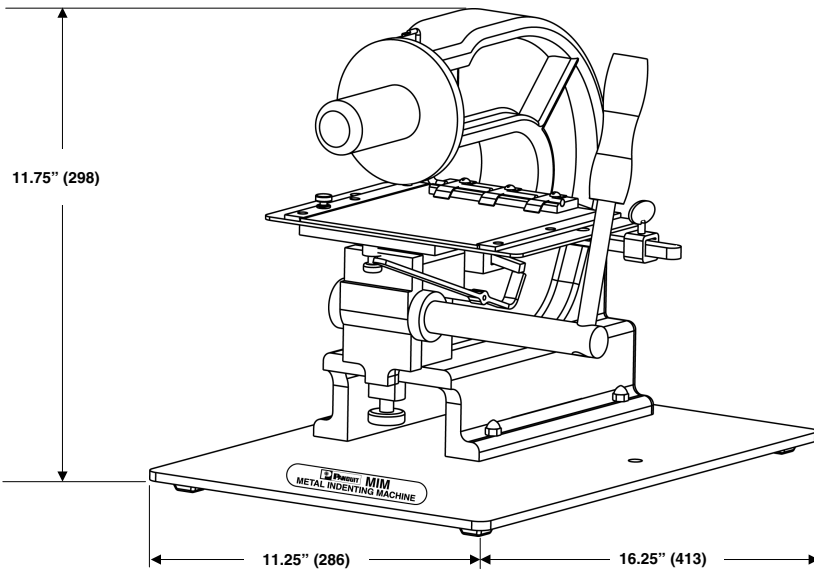
Stocking Distributor

Click to view price, real time Inventory, Delivery & Lifecycle Information:

[Panduit](#)  
[MIM094](#)

For any questions, you can email us directly:  
[sales@integrated-circuit.com](mailto:sales@integrated-circuit.com)

THIS COPY IS PROVIDED ON A RESTRICTED BASIS AND IS NOT TO BE USED IN ANY WAY DETRIMENTAL TO THE INTERESTS OF PANDUIT CORP.



**NOTES, UNLESS OTHERWISE SPECIFIED:**

- PANDUIT TOOL NO: MIM094 / MIM125 / MIM187  
MIM – Metal Indenting Machine
- MIM094 - Indenting Machine with 3/32" (2.38mm) character wheel
  - MIM125 - Indenting Machine with 1/8" (3.18mm) character wheel
  - MIM187 - Indenting Machine with 3/16" (4.77mm) character wheel

TOOL WEIGHT: 41 lbs. (18.6 kg.)

EMBOSES MMP SERIES MARKER PLATES, MT SERIES TAGS AND PANSTEEL EH AND SH STAINLESS STEEL CABLE TIES. *Note: Marking on plates, tags or ties under 1/2" wide is not recommended.*

CABLE TIE CROSS-SECTION CODE:  
EH = Extra Heavy SH = Super Heavy

DIMENSIONS SHOWN IN PARENTHESES ARE (mm) METRIC

- REFERENCE:  
MIW – Metal Indenting Wheels
- MIW094 - 3/32" (2.38mm) character wheel kit
  - MIW125 - 1/8" (3.18mm) character wheel kit
  - MIW187 - 3/16" (4.77mm) character wheel kit

F:\wrkgrp\rvusers\ENGR.DOC5\NEW\CUSTOMER DRAWINGS\TP25218B01\_01 MIM CD.doc

**NOTE:** In the interest of higher quality and value, we are constantly improving and updating our products. Consequently, pictures shown may sometimes vary from the actual product.

REV	DATE	BY	CHK'D	DESCRIPTION	ECN	- R	CUST	SUP
01	9-06-07	BLR	SRRE	UPD GRAPHIC	4262	---	JRWA	
00	10-18-06	BLR	SRRE	RELEASED	4224	---	LAH	

**PANDUIT** CORP., TINLEY PARK, ILLINOIS  
**CUSTOMER DRAWING \***  
**MIM094 / MIM125 / MIM187**

UNLESS OTHERWISE SPECIFIED, DIMENSIONAL TOLERANCES ARE:  
(.x) ± .005 (xxx) ± .010  
(.xx) ± .002 ANGLES ± .005

UNLESS OTHERWISE SPECIFIED, ALL DIMENSIONS ARE GIVEN IN INCHES, THIRD ANGLE PROJECTION.

SCALE: NONE  
DRAWING NO. TP25218B01  
DWG SIZE: B

DRAWN BY: BLR  
DATE: 10-18-06  
CHK'D: SRRE