

Excellent Integrated System Limited

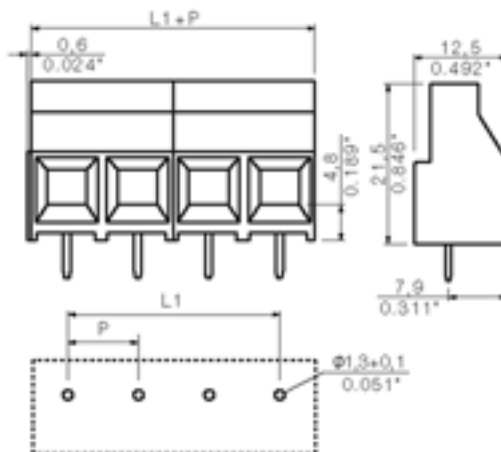
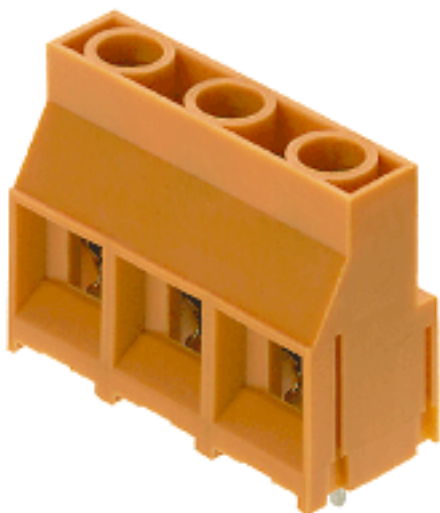
Stocking Distributor

Click to view price, real time Inventory, Delivery & Lifecycle Information:

[Weidmüller](#)
[1724700000](#)

For any questions, you can email us directly:

sales@integrated-circuit.com



General ordering data

Order No.	1724700000
Part designation	LL 9.52/2/90 5.0 SW
Version	PCB terminal, Clamping yoke connection, Soldered connection, Clamping range, max.: 6 mm ² , Pitch: 9.52 mm, No. of poles: 2, 90°, Box
EAN	4008190959791
Qty.	100 pc(s).

System parameters

Product family	System LL
Conductor connection system	Clamping yoke connection
Fitted to PCB	Soldered connection
Outgoing direction of conductor	90°
Pitch	9.52 mm
Pitch in inch	0.375 inch
No. of poles	2
Fitted by customer	yes
Max. adjacent poles per row	12
No. of rows	1
Solder pin length	5 mm
Dia. of fitting hole	1.3 mm
Fitting hole tolerance	+ 0.1 mm
No. of solder pins per pole	1

System parameters

Screwdriver blade	0.8 x 4.0
Screwdriver blade standard	DIN 5264
Tightening torque, min.	0.5 Nm
Tightening torque, max.	0.6 Nm
Clamping screw	M 3
Stripping length	7 mm
L1 in mm	9.52 mm
L1 in inch	0.375 inch
Electric shock protection to DIN VDE 0470	IP 20
Electric shock protection to DIN VDE 0470	Safe from finger touch

Material data

Insulating material	Wemid (PA)
Colour	black
colour chart	Similar to RAL 9011
Insulating material group	I
Flammability class UL 94	V-0
CTI	>= 600
Contact base material	Copper alloy
Contact surface	tinned
Storage temperature, min.	-25 °C
Storage temperature, max.	55 °C

Connectable conductors

Clamping range, min.	0.18 mm ²
Clamping range, max.	6 mm ²
AWG, min.	26
AWG, max.	10
Solid, min. H05(07) V-U	0.18 mm ²
Solid, max. H05(07) V-U	6 mm ²
Flexible, min. H05(07) V-K	0.22 mm ²
Flexible, max. H05(07) V-K	4 mm ²
With wire end ferrule, acc. to DIN 46 228/1, min.	0.5 mm ²
With wire end ferrule, acc. to DIN 46 228/1, max.	2.5 mm ²
w. plastic collar ferrule, DIN 46228 pt 4, min.	0.5 mm ²
w. plastic collar ferrule, DIN 46228 pt 4, max.	2.5 mm ²
Gauge to EN 60999 a x b; ø	3.6 mm x 3.1 mm; 2.7 mm

DIN IEC rating data

Rated current, min. No. pins (Tu=20°C)	32 A
Rated current, max. No. pins (Tu=20°C)	32 A
Rated current, min. No. pins (Tu=40°C)	32 A
Rated current, max. No. pins (Tu=40°C)	32 A
Rated voltage for overvoltage class/pollution severity II/2	1,000 V
Rated voltage for overvoltage class/pollution severity III/2	1,000 V
Rated voltage for overvoltage class/pollution severity III/3	690 V
Rated impulse withstand voltage for overvoltage class/pollution severity II/2	6 kV

DIN IEC rating data

Rated impulse withstand voltage for overvoltage class/pollution severity III/2	8 kV
Rated impulse withstand voltage for overvoltage class/pollution severity III/3	8 kV
Short-time withstand current resistance	3 x 1s with 120 A

CSA rating data

Rated current (Use group C)	35 A
Rated voltage (Use group C)	300 V
AWG conductor (field wiring), min.	26
AWG conductor (field wiring), max.	10

UL 1059 rating data

Rated voltage (Use group C)	300 V
Rated current (Use group C)	30 A
AWG conductor, min.	26
AWG conductor, max.	10

Approvals

Approvals institutes



Downloads

CAD Library (P-CAD Format - Standard)	LL.lib
---------------------------------------	--------

Classifications

ETIM 2.0	NK
ETIM 3.0	EC001284
eClass 4.1	NK
eClass 5.0	NK
eClass 5.1	NK

Similar products

Order No.	Part designation	Version
1724680000	LL 9.52/2/90 5.0 OR	PCB terminal, Clamping yoke connection, Soldered connection, Clamping range, max.: 6 mm ² , Pitch: 9.52 mm, No. of poles: 2, 90°, Box
1912970000	LL 9.52/2/90 5.0 GR	PCB terminal, Clamping yoke connection, Soldered connection, Clamping range, max.: 6 mm ² , Pitch: 9.52 mm, No. of poles: 2, 90°, Box
1724720000	LL 9.52/2/90 5.0 GN	PCB terminal, Clamping yoke connection, Soldered connection, Clamping range, max.: 6 mm ² , Pitch: 9.52 mm, No. of poles: 2, 90°, Box

1724690000	LL 9.52/3/90 5.0 OR	PCB terminal, Clamping yoke connection, Soldered connection, Clamping range, max.: 6 mm ² , Pitch: 9.52 mm, No. of poles: 3, 90°, Box
1724710000	LL 9.52/3/90 5.0 SW	PCB terminal, Clamping yoke connection, Soldered connection, Clamping range, max.: 6 mm ² , Pitch: 9.52 mm, No. of poles: 3, 90°, Box
1912980000	LL 9.52/3/90 5.0 GR	PCB terminal, Clamping yoke connection, Soldered connection, Clamping range, max.: 6 mm ² , Pitch: 9.52 mm, No. of poles: 3, 90°, Box
1724730000	LL 9.52/3/90 5.0 GN	PCB terminal, Clamping yoke connection, Soldered connection, Clamping range, max.: 6 mm ² , Pitch: 9.52 mm, No. of poles: 3, 90°, Box