

Excellent Integrated System Limited

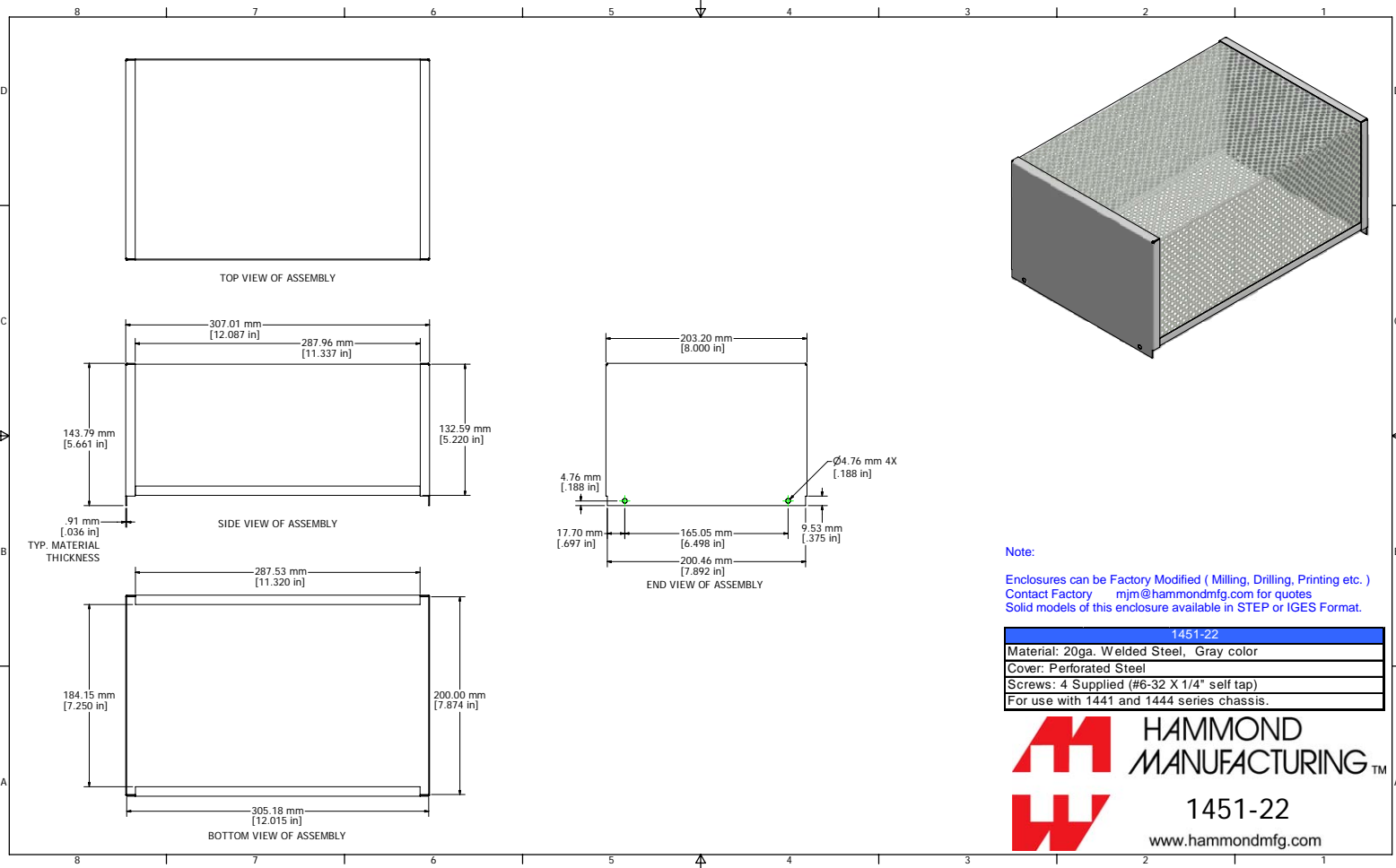
Stocking Distributor

Click to view price, real time Inventory, Delivery & Lifecycle Information:

[Hammond Manufacturing](#)
[1451-22](#)

For any questions, you can email us directly:

sales@integrated-circuit.com



Note:

Enclosures can be Factory Modified (Milling, Drilling, Printing etc.)
 Contact Factory mjm@hammondmfg.com for quotes
 Solid models of this enclosure available in STEP or IGES Format.

| 1451-22 |
|--|
| Material: 20ga. Welded Steel, Gray color |
| Cover: Perforated Steel |
| Screws: 4 Supplied (#6-32 X 1/4" self tap) |
| For use with 1441 and 1444 series chassis. |



**HAMMOND
MANUFACTURING™**

1451-22

www.hammondmfg.com