

## Excellent Integrated System Limited

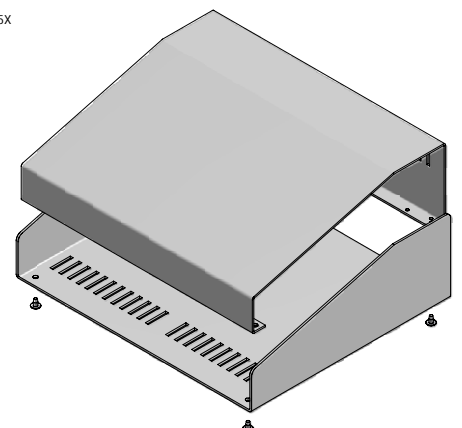
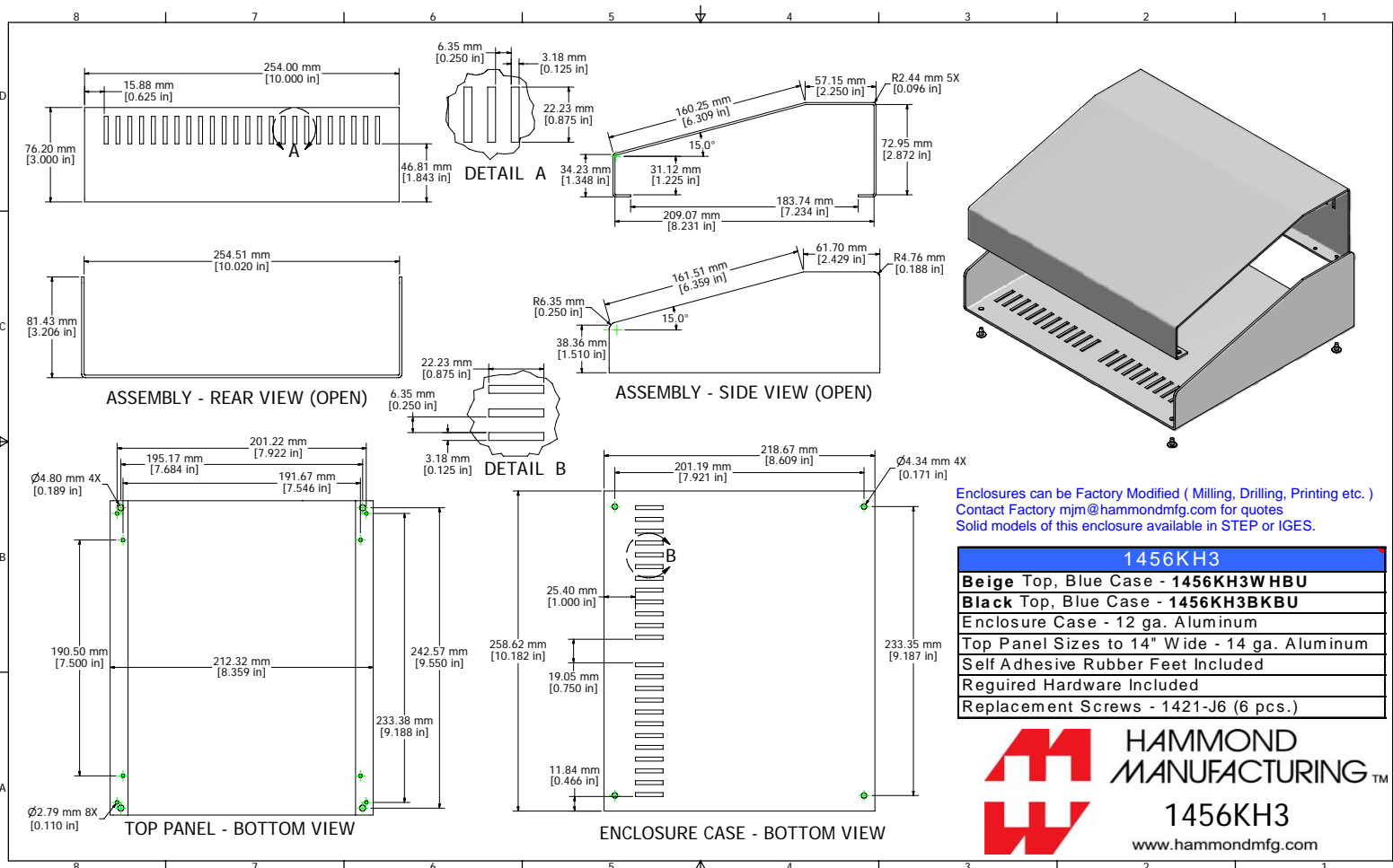
Stocking Distributor

Click to view price, real time Inventory, Delivery & Lifecycle Information:

[Hammond Manufacturing](#)  
[1456KH3BKBU](#)

For any questions, you can email us directly:

[sales@integrated-circuit.com](mailto:sales@integrated-circuit.com)



Enclosures can be Factory Modified ( Milling, Drilling, Printing etc. )  
 Contact Factory [mjm@hammondmfg.com](mailto:mjm@hammondmfg.com) for quotes  
 Solid models of this enclosure available in STEP or IGES.

<b>1456KH3</b>
<b>Beige Top, Blue Case - 1456KH3W HBU</b>
<b>Black Top, Blue Case - 1456KH3BKBU</b>
<b>Enclosure Case - 12 ga. Aluminum</b>
<b>Top Panel Sizes to 14" Wide - 14 ga. Aluminum</b>
<b>Self Adhesive Rubber Feet Included</b>
<b>Required Hardware Included</b>
<b>Replacement Screws - 1421-J6 (6 pcs.)</b>

