

Excellent Integrated System Limited

Stocking Distributor

Click to view price, real time Inventory, Delivery & Lifecycle Information:

[Hammond Manufacturing](#)
[1590JF](#)

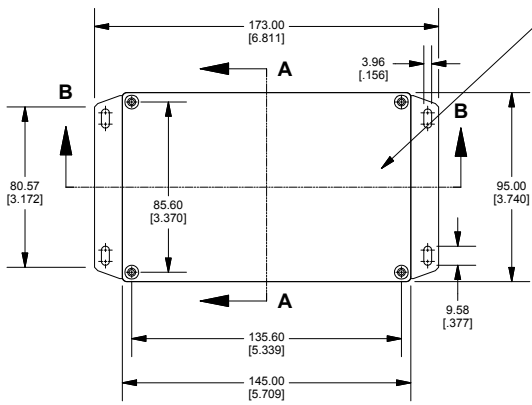
For any questions, you can email us directly:

sales@integrated-circuit.com

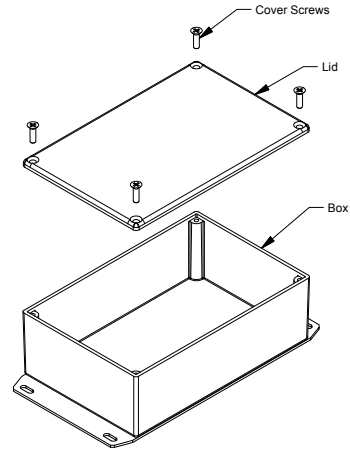
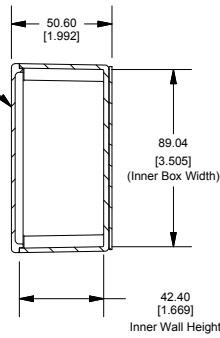
2

1

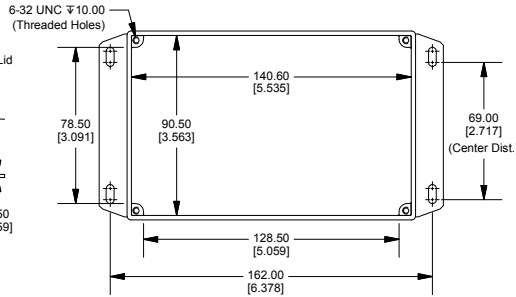
Top View of Assembly



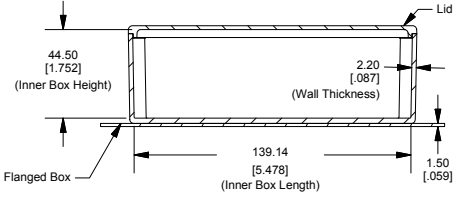
**SECTION A-A
End View of Assembly**



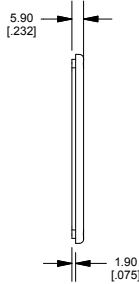
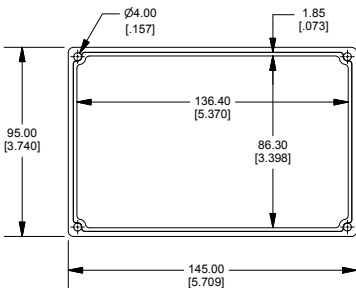
Top View Looking Inside Box



**SECTION B-B
Side View of Assembly**



Lid



Enclosures can be Factory Modified (Milling, Drilling, Printing etc.)
Contact Factory njm@hammondmfg.com for quotes
Solid models of this enclosure available in STEP or IGES.

NOTE

Purchased assembly includes box, lid and 4 cover screws.
Box and lid are made from Diecast Aluminum Alloy.
Silicone Gasket supplied with liquid resistant enclosure.
Bottom Flange is Welded.

PART NUMBERS

1590JF Enclosure	
Natural Finish Enclosure	1590JF
Black Textured Enclosure	1590JFBK
1590JF Liquid Resistant Enclosure (Silicone Gasket)	
Natural Finish Enclosure	1590W JF
Black Textured Enclosure	1590W JFBK

ACCESSORIES

Recommended Torque: 75 ozf.in / 55 cN.m	
Liquid Resistant Cover Screws	
Stainless Steel Cover Screws (Pkg 100) [6-32 x 1/2" With O-Ring]	1590WMS100
Black Stainless Steel Cover Screws (Pkg 100) [6-32 x 1/2" With O-Ring]	1590WMS100BK
Standard Cover Screws	
Plated Cover Screws (Pkg 100) [6-32 x 1/2"]	1590MS100
Black Cover Screws (Pkg 100) [6-32 x 1/2"]	1590MS100BK

Dimensions:
mm
[inches]

**HAMMOND
MANUFACTURING™**

1590JF

www.hammondmfg.com

2

1