

Excellent Integrated System Limited

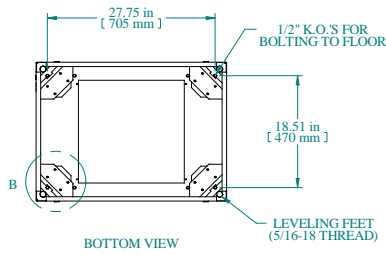
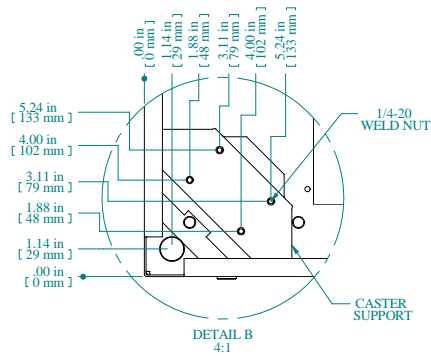
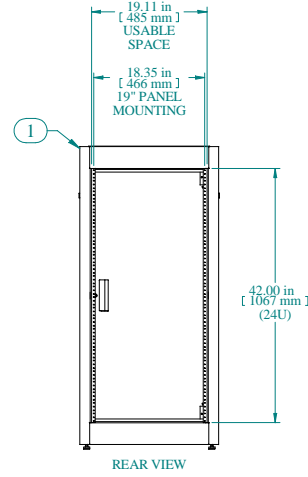
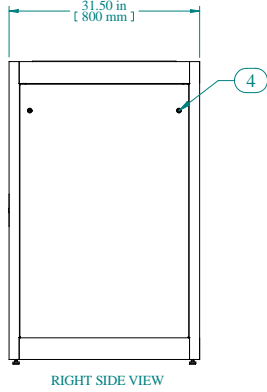
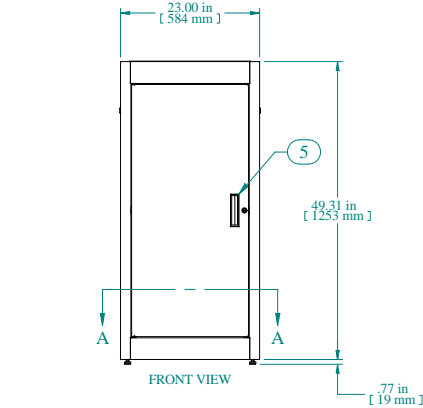
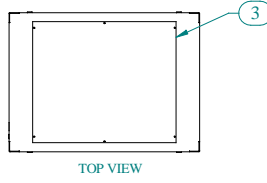
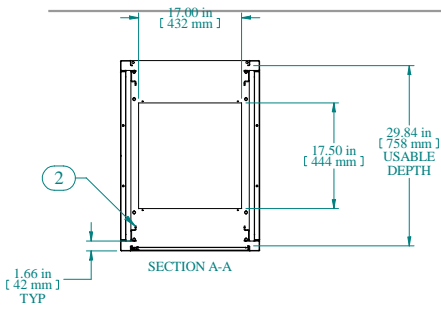
Stocking Distributor

Click to view price, real time Inventory, Delivery & Lifecycle Information:

[Hammond Manufacturing](#)
[C2RR194231BK1](#)

For any questions, you can email us directly:

sales@integrated-circuit.com



Item Number	Title	Quantity
1	C2 CABINET FRAME	1
2	COMBINATION RAILS TAPPED (PAIR)	2
3	C2 - SOLID TOP COVER PLATE	1
4	C2 - SIDE PANELS (PAIR)	1
5	C2 - SOLID FLUSH DOOR	1

PART NUMBERS	
C2RR194231BK1	PAINTED BLACK TEXTURED
C2RR194231CG1	PAINTED CONT. GRAY TEXTURED
C2RR194231LG1	PAINTED RAL7035 TEXTURED

NOTES
Welded Assembly
See Hammond Website for Additional Accessories

Data subject to change without notice. Isometric drawing not to scale.



**HAMMOND
MANUFACTURING™**

www.hammondmfg.com

PART NO. C2RR194231