

Excellent Integrated System Limited

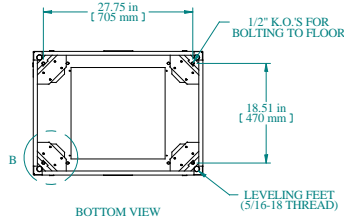
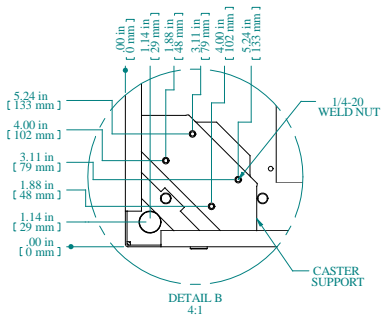
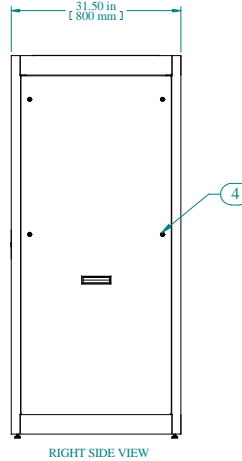
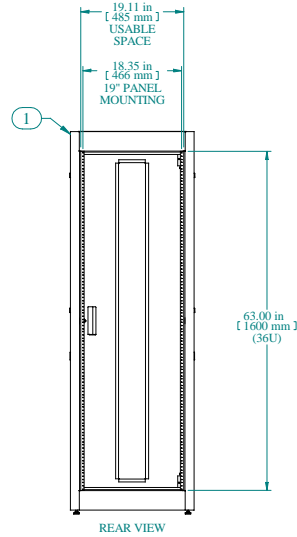
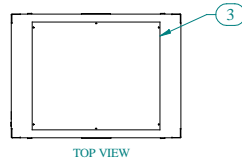
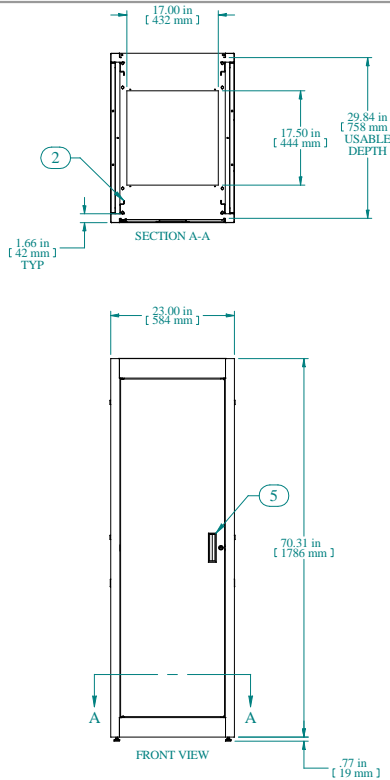
Stocking Distributor

Click to view price, real time Inventory, Delivery & Lifecycle Information:

[Hammond Manufacturing](#)
[C2RR196331BK1](#)

For any questions, you can email us directly:

sales@integrated-circuit.com



Item Number	Title	Quantity
1	C2 CABINET FRAME	1
2	COMBINATION RAILS TAPPED (PAIR)	2
3	C2 - SOLID TOP COVER PLATE	1
4	C2 - SIDE PANELS (PAIR)	1
5	C2 - SOLID FLUSH DOOR	1

PART NUMBERS	
C2RR196331BK1	PAINTED BLACK TEXTURED
C2RR196331CG1	PAINTED CONT. GRAY TEXTURED
C2RR196331LG1	PAINTED RAL7035 TEXTURED

NOTES:
Welded Assembly
See Hammond Website for Additional Accessories

Data subject to change without notice. Isometric drawing not to scale.



**HAMMOND
MANUFACTURING™**

www.hammondmfg.com

PART NO. C2RR196331