

Excellent Integrated System Limited

Stocking Distributor

Click to view price, real time Inventory, Delivery & Lifecycle Information:

[C&K Components](#)

[PS-12G03](#)

For any questions, you can email us directly:

sales@integrated-circuit.com

NEW!

**PS Series
Pushbutton Switches**



Features/Benefits

- Latching pushbutton
- Non-shorting with lock
- 4.5mm travel
- SPDT

Typical Applications

- Automotive interior lighting
- Computer peripherals
- Appliances



Specifications

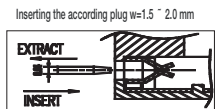
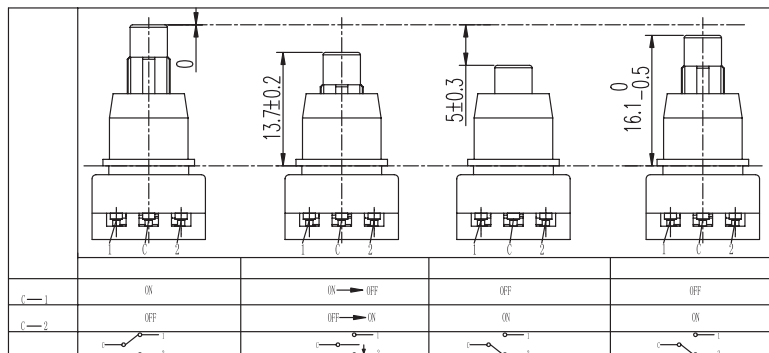
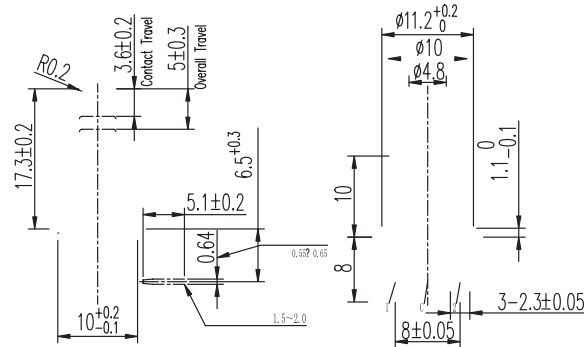
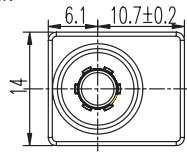
CONTACT RATING: 1A @ 14 VDC
 INITIAL CONTACT RESISTANCE: 100 m ohms max.
 INSULATION RESISTANCE: 100 M ohms min.
 DIELECTRIC STRENGTH: 500 V AC (50-60 Hz) between open terminals and between the frame and terminal.
 OPERATING LIFE: 20,000 cycles with load
 OPERATING FORCE: 400 ± 100 gf
 OPERATING POSITION: 3.6 ± 0.2 mm
 TOTAL TRAVEL: 5 ± 0.3 mm
 OPERATING TEMPERATURE: -20°C to 70°C

Materials

KNOB: POM (UL 94HB) Lock version
 HOUSING: PBT (UL 94V-0)
 COVER: PBT (UL 94V-0)
 ROTOR: PBT (UL 94V-0)
 SLIDER: POM (UL 94HB)
 TERMINAL: Phosphor bronze, silver plated
 SPRING: SUS
 CONTACT: Phosphor bronze

NOTE: Specifications and materials listed above are for switches with standard options.
 For information on specific and custom switches, please contact Customer Service.

PS-12G01 SPDT NON-SHORTING WITH LOCK



Dimensions are shown: mm
 Specifications and dimensions subject to change



PS Series Pushbutton Switches

NEW!

Pushbutton

A

Specifications

CONTACT RATING: 2.2A @ 14.5 VDC
 INITIAL CONTACT RESISTANCE: 50 m ohms max.
 INSULATION RESISTANCE: 100 M ohms min.
 DIELECTRIC STRENGTH: 500 V AC (50-60 Hz) between open terminals and between the frame and terminal.
 OPERATING LIFE: 20,000 cycles with load
 OPERATING FORCE: 650 ± 200 gf
 OPERATING POSITION: 4.00 ± 0.2 mm
 TOTAL TRAVEL: 4.5 ± 0.3 mm
 OPERATING TEMPERATURE: -40°C to 85°C

Materials

KNOB: POM (UL 94HB)
 HOUSING: Housing A: PBT (UL 94V-0)
 Housing B: PA (UL 94V-0)
 COVER: PBT (UL 94V-0)
 ROTOR: PBT (UL 94V-0)
 SLIDER: POM (UL 94HB)
 TERMINAL: Brass, silver plated
 SPRING: SUS
 CONTACT: Phosphor bronze, silver plated

NOTE: Specifications and materials listed above are for switches with standard options.
 For information on specific and custom switches, please contact Customer Service.

PS-12G03 SPDT NON-SHORTING WITH LOCK

