

Excellent Integrated System Limited

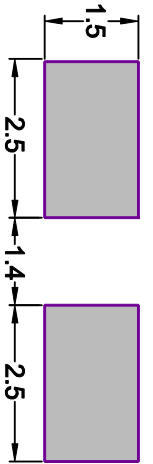
Stocking Distributor

Click to view price, real time Inventory, Delivery & Lifecycle Information:

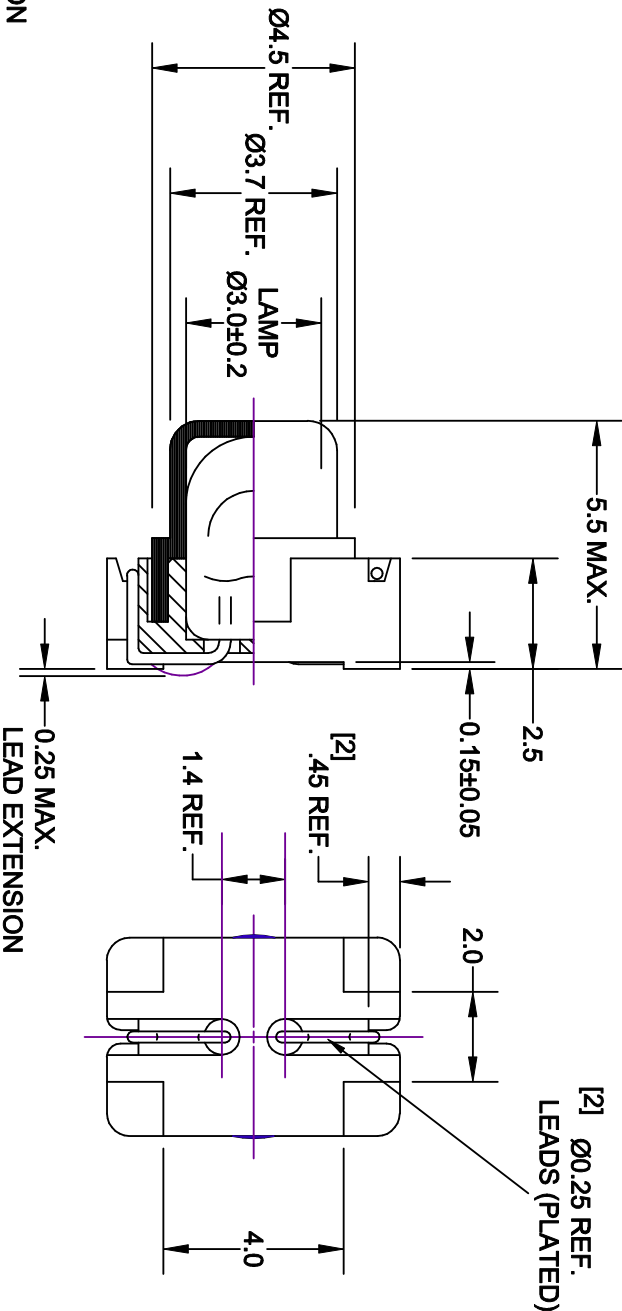
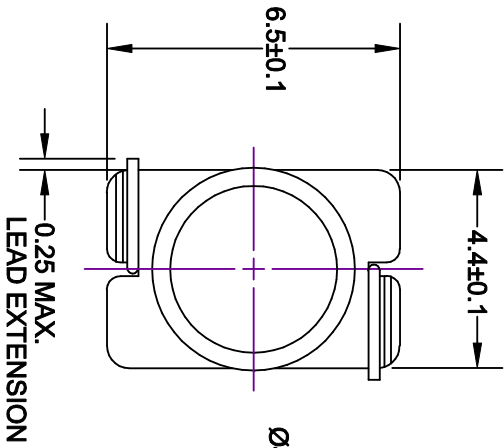
[JKL Components Corporation](#)
[CSD4-7152/39-26-1A](#)

For any questions, you can email us directly:

sales@integrated-circuit.com



RECOMMENDED DIMENSIONS
FOR PC-BOARD PAD



LAMP NUMBER: 7152				
VOLTS RATED	AMPS ± 10%	*MSCP ± 25%	*LUMENS ± 25%	AVERAGE LIFE HRS.
5.0	.115	.150	1.89	20,000**
*LAMP RATING ONLY WITHOUT BASE AND FILTER				
FILAMENT TYPE				
C-2R				

FILTER NUMBER: 39-26-1A

COLOR REF. COORDINATES

RED	X = 0.6920 ± .025
PONTIAC	Y = 0.3036 ± .025

**DERIVED FROM
ACCELERATED TESTING

JKL PART NUMBER: CSD4-7152/39-26-1A

METRIC	THIRD ANGLE PROJECTION	IN MILLIMETERS	TOLERANCE UNLESS OTHERWISE SPECIFIED	SIZE	FORM NO.	DRAWING NO.	RELEASED DATE	REVISION DATE	SHEET	OF	
			1 PL +/- 0.2	A	55335	CSD4-7152/39-26-1A	11/29/99	11/28/00	1	1	
JKL COMPONENTS CORPORATION											
T-1 SURFACE MOUNT LAMP WITH BASE AND FILTER (LOW PROFILE)											
MANUAL REVISIONS NOT PERMITTED											

REV.	DESCRIPTION/ECO NO.	DATE
	RELEASED - was P-9911-14-2 and	11/23/99
	FILTER 39-26-150	
A	CHANGE LEAD CUTAWAY PROFILE	11/29/99
B	ADD NOTE & DIM CHNGS.	1/25/00
C	DELETE NOTE	11/28/00