

## Excellent Integrated System Limited

Stocking Distributor

Click to view price, real time Inventory, Delivery & Lifecycle Information:

[TE Connectivity Raychem Circuit Protection  
RHE400](#)

For any questions, you can email us directly:

[sales@integrated-circuit.com](mailto:sales@integrated-circuit.com)

**Tyco/ Electronics**

**Raychem Circuit Protection**  
 308 Constitution Drive  
 Menlo Park, CA 94025-1164  
 Phone: 800-227-4856  
 Fax: 800-227-4866

**PolySwitch®**  
**PTC Devices**  
 Overcurrent Protection Device

**PRODUCT: RHE400**

DOCUMENT: SCD 24794  
 PCN: F70630  
 REV LETTER: D  
 REV DATE: OCTOBER 8, 2001  
 PAGE NO.: 1 OF 1

**Specification Status: RELEASED**

**Electrical Rating**

**Voltage: 16V<sub>DC</sub> MAX**  
**Current: 100A MAX**

**INSULATING MATERIAL:**

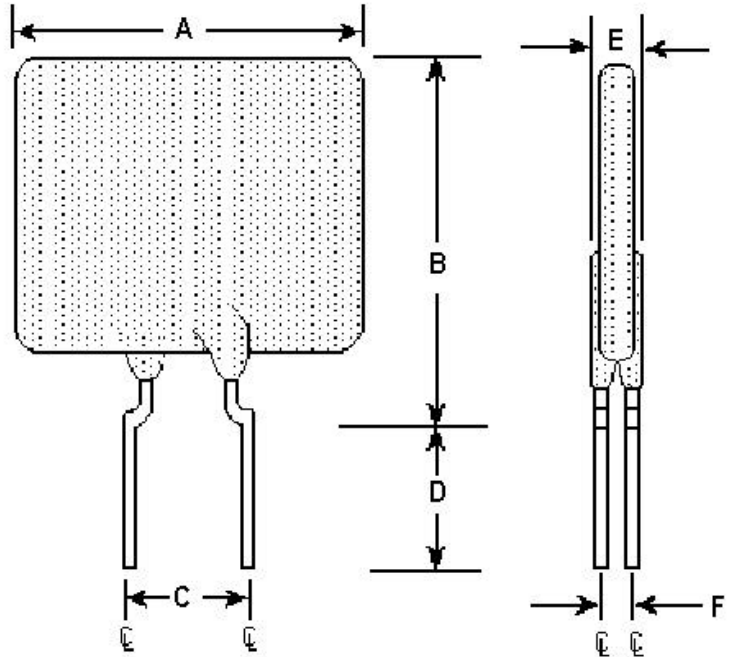
Cured, Flame Retarded Epoxy Polymer  
 meets UL94 V-0 Requirements

**LEAD MATERIAL:**

24 AWG Tin/Lead plated Copper Clad Steel  
 (0.5 mm [0.020] nom. diameter)

**PART MARKING:**

- Raychem Logo and Voltage
- ⊗ 16
- H4 — Part Identification
- □ □ □ — Lot Identification (can be on back)



**TABLE I. DIMENSIONS:**

	A		B		C		D		E		F
	MIN	MAX	MIN	MAX	MIN	MAX	MIN	MAX	MIN	MAX	TYP
mm:	--	11.4	--	18.0	4.3	5.8	7.6	--	--	3.0	1.2
in*:	--	(0.45)	--	(0.71)	(0.17)	(0.23)	(0.30)	--	--	(0.12)	(0.05)

\*Rounded off approximation

**TABLE II. PERFORMANCE RATINGS:**

I HOLD RATED CURRENT	CURRENT TRIP LIMITS						TIME TO TRIP	RESISTANCE VALUES		ONE-HOUR POST-TRIP RESISTANCE STANDARD TRIP	TRIPPED-STATE POWER DISSIPATION
	AMPS 25°C HOLD	AMPS AT 0°C HOLD	AMPS AT 25°C TRIP	AMPS AT 60°C TRIP	SECONDS AT 25°C, 20A MAX	OHMS AT 25°C MIN		OHMS AT 25°C MAX			
4.0	----	----	4.0	7.0	----	----	8.0	0.018	0.029	0.044	2.0

Recognitions: UL, TUV, CSA recognized.  
 Reference Documents: PS300  
 Precedence: This specification takes precedence over documents referenced herein.  
 Effectivity: Reference documents shall be the issue in effect on the date of invitation for bid.  
 CAUTION: Operation beyond the rated voltage or current may result in rupture, electrical arcing or flame.



**Tyco/ Electronics**

**Raychem Circuit Protection**

308 Constitution Drive  
Menlo Park, CA 94025-1164  
Phone: 800-227-4856  
Fax: 800-227-4866

**PolySwitch®**

**PTC Devices**

**Overcurrent Protection Device**

**PRODUCT: RHE400**

DOCUMENT: SCD 24794

PCN: F70630

REV LETTER: D

REV DATE: OCTOBER 8, 2001

PAGE NO.: 2 OF 1

---