

Excellent Integrated System Limited

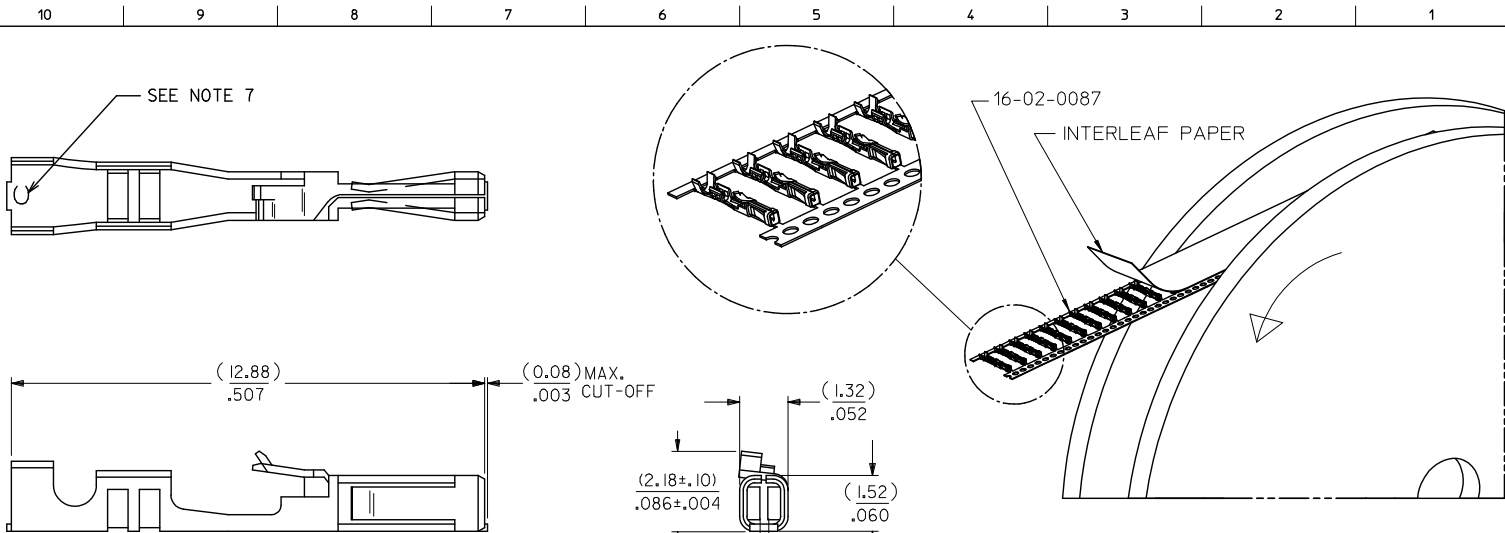
Stocking Distributor

Click to view price, real time Inventory, Delivery & Lifecycle Information:

[Molex Connector Corporation](#)
[0016020087](#)

For any questions, you can email us directly:

sales@integrated-circuit.com



NOTES:

1. TERMINAL TO BE USED IN HOUSING 70066-**** AND 70450-****.
2. REFER TO PRODUCT SPECIFICATION PS-70058.
3. REFER TO MOLEX OPERATIONS AND SERVICE MANUAL FOR CRIMP DETAILS.
4. TERMINAL TO BE USED WITH (0.64) .025 SQUARE PINS.
5. TERMINAL TO BE USED WITH 22-24 AWG STRANDED WIRE WITH (1.63) .064 MAXIMUM DIAMETER INSULATION.
6. TERMINALS SUPPLIED IN REEL FORM.
7. CRIMP SIZE INDICATOR C=22-24 AWG

PLATING:

.000015 MINIMUM GOLD PLATE IN SELECT AREA.
 .000075 MINIMUM TIN PLATE IN SELECT AREA.
 OVER NICKEL PLATE OVERALL.

| | | | | | | | | |
|--|--------------------------------------|--|--------|-----------------|--------------|------------|---|------------------------|
| REEL UNWIND DIR EC NO: UCP2013-5345 DRAWN BY: RWHIPPLE 2013/06/11 CHKD BY: MORGAN 2013/06/11 APP: SMILLER 2013/07/09 | QUALITY SYMBOLS ▽=0 ▽=0 ▽=0 | GENERAL TOLERANCES (UNLESS SPECIFIED) | | DIMENSION STYLE | | SCALE | DESIGN UNITS | THIRD ANGLE PROJECTION |
| | | mm | INCH | MM/IN | MM/IN | 10:1 | INCH | |
| REV | DESCRIPTION | 4 PLACES | ± .005 | ± .0005 | DRAWN BY | DATE | TITLE | |
| | | 3 PLACES | ± .01 | ± .001 | RWHIPPLE | 2013/06/11 | TERMINAL - BOX/CRIMP FOR 22-24 AWG ON A REEL | |
| | | 2 PLACES | ± .025 | ± .0025 | CHECKED BY | DATE | molex | |
| | | 1 PLACE | ± .05 | ± .005 | JAS | 1988/03/02 | SD-70058-0024 | |
| | | 0 PLACE | ± .1 | ± .01 | APPROVED BY | DATE | SHEET NO. | |
| | | | | | SMILLER | 2013/07/09 | 1 OF 1 | |
| | | ANGULAR ±1/2° DRAFT WHERE APPLICABLE MUST REMAIN WITHIN DIMENSIONS | | MATERIAL NO. | DOCUMENT NO. | | THIS DRAWING CONTAINS INFORMATION THAT IS PROPRIETARY TO MOLEX INCORPORATED AND SHOULD NOT BE USED WITHOUT WRITTEN PERMISSION | |
| | | | | | 016-02-0087 | | | |