

## Excellent Integrated System Limited

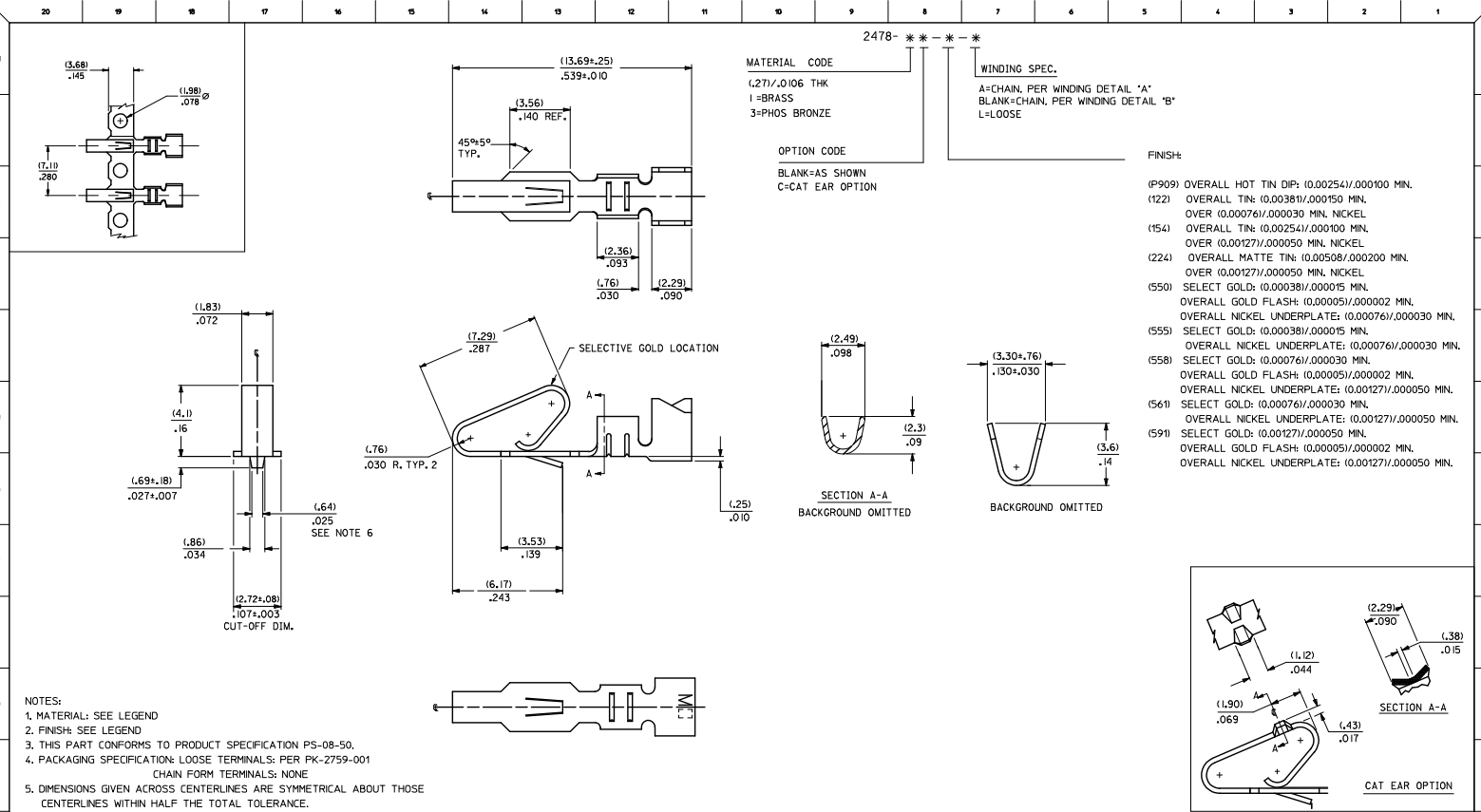
Stocking Distributor

Click to view price, real time Inventory, Delivery & Lifecycle Information:

[Molex Connector Corporation](#)  
[0008520071](#)

For any questions, you can email us directly:

[sales@integrated-circuit.com](mailto:sales@integrated-circuit.com)



MATERIAL CODE 2478-\*\*\*  
 (.27)/.0106 THK  
 1=BRASS  
 3=PHOS BRONZE

OPTION CODE  
 BLANK=AS SHOWN  
 C=CAT EAR OPTION

FINISH:

WINDING SPEC.  
 A=CHAIN, PER WINDING DETAIL 'A'  
 BLANK=CHAIN, PER WINDING DETAIL 'B'  
 L=LOOSE

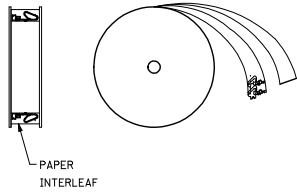
- (P909) OVERALL HOT TIN DIP: (0.00254)/.000100 MIN.  
 (122) OVERALL TIN: (0.00381)/.000150 MIN.  
 OVER (0.00076)/.000030 MIN. NICKEL  
 (154) OVERALL TIN: (0.00254)/.000100 MIN.  
 OVER (0.00127)/.000050 MIN. NICKEL  
 (224) OVERALL MATTE TIN: (0.00508)/.000200 MIN.  
 OVER (0.00127)/.000050 MIN. NICKEL  
 (550) SELECT GOLD: (0.000381)/.000015 MIN.  
 OVERALL GOLD FLASH: (0.00005)/.000002 MIN.  
 OVERALL NICKEL UNDERPLATE: (0.00076)/.000030 MIN.  
 (555) SELECT GOLD: (0.000381)/.000015 MIN.  
 OVERALL NICKEL UNDERPLATE: (0.00076)/.000030 MIN.  
 (558) SELECT GOLD: (0.00076)/.000030 MIN.  
 OVERALL GOLD FLASH: (0.00005)/.000002 MIN.  
 OVERALL NICKEL UNDERPLATE: (0.00127)/.000050 MIN.  
 (561) SELECT GOLD: (0.00076)/.000030 MIN.  
 OVERALL NICKEL UNDERPLATE: (0.00127)/.000050 MIN.  
 (591) SELECT GOLD: (0.00127)/.000050 MIN.  
 OVERALL GOLD FLASH: (0.00005)/.000002 MIN.  
 OVERALL NICKEL UNDERPLATE: (0.00127)/.000050 MIN.

- NOTES:  
 1. MATERIAL: SEE LEGEND  
 2. FINISH: SEE LEGEND  
 3. THIS PART CONFORMS TO PRODUCT SPECIFICATION PS-08-50.  
 4. PACKAGING SPECIFICATION: LOOSE TERMINALS: PER PK-2759-001  
 CHAIN FORM TERMINALS: NONE  
 5. DIMENSIONS GIVEN ACROSS CENTERLINES ARE SYMMETRICAL ABOUT THOSE CENTERLINES WITHIN HALF THE TOTAL TOLERANCE.  
 6. (0.86 ±0.05)/.034 ±0.02 IS AN OPTIONAL DESIGN.  
 7. CRIMP ACCEPTS 18 TO 24 AWG WIRE WITH (2.79)/.110 MAX. INSULATION DIAMETER. AND CAN ACCEPT (3.00)/.118 MAX. INSULATION DIAMETER WITH SPECIAL TOOLING.  
 8. TERMINAL FOR USE IN 2139, 3001, 3069, AND 91813 SERIES HOUSINGS WITH (2.54)/.100 MAX. INSULATION DIAMETER. 2574, 6422, AND 5239 SERIES HOUSINGS WITH (2.79)/.110 MAX. INSULATION DIAMETER. AND 41695 SERIES HOUSING WITH (3.00)/.118 MAX. INSULATION DIAMETER.  
 9. THIS PART CONFORMS TO CLASS B REQUIREMENTS OF COSMETIC SPECIFICATION PS-45499-002.

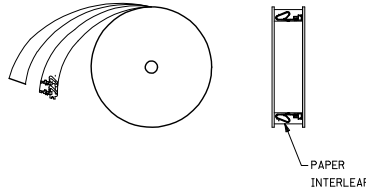
|   |   |                                       |                         |  |                     |   |  |
|---|---|---------------------------------------|-------------------------|--|---------------------|---|--|
| ADD WINDING VIEWS<br>EC NO. LEF2014-431<br>DRAWN/INSPER 2016/01/07<br>CHECKED/ITER 2016/01/07<br>APPROVED/ITER 2016/01/07<br>REV. | QUALITY SYMBOLS   | GENERAL TOLERANCES (UNLESS SPECIFIED) | DIMENSION STYLE         | SCALE  | DESIGN UNITS        | THIRD ANGLE PROJECTION  |  |
|   | 4 PLACES ± --- ± ---<br>3 PLACES ± --- ± ---<br>2 PLACES ± 0.25 ± 0.14<br>1 PLACE ± 0.36 ± ---<br>0 PLACE ± --- ± ---         | mm INCH<br>± .010<br>± .014<br>± ---  | MM/IN<br>10:1<br>INCH   | DRAWN BY DATE<br>SAMIEC 06/03/86<br>CHECKED BY DATE<br>PATEL 06/03/86<br>APPROVED BY DATE<br>FSMITH 2012/03/20 |                     |   |  |
|   | DRAFT WHERE APPLICABLE MUST REMAIN WITHIN DIMENSIONS  | ANGULAR ±1/2°<br>SEE CHART            | MATERIAL NO.<br>SD-2478 | DOCUMENT NO.<br>SD-2478  | SHEET NO.<br>1 OF 2 | CRIMP TERMINAL<br>156 CENTERS<br>18 TO 24 GA WIRE<br><b>molex</b> |  |
|   | THIS DRAWING CONTAINS INFORMATION THAT IS PROPRIETARY TO MOLEX INCORPORATED AND SHOULD NOT BE USED WITHOUT WRITTEN PERMISSION |                                       |                         |  |                     |   |  |

| 2478-1-(****)* |                | 2478-3-(****)* |                | 2478-1C-(****)* |                | 2478-3C-(****)* |                 |
|----------------|----------------|----------------|----------------|-----------------|----------------|-----------------|-----------------|
| PART NO.       | ENG. NO.       | PART NO.       | ENG. NO.       | PART NO.        | ENG. NO.       | PART NO.        | ENG. NO.        |
| 08-50-0105     | 2478-1-(P909)  | 08-52-0071     | 2478-3-(P909)  | 08-50-0091      | 2478-1C-(154)  | 08-52-0044      | 2478-3C-(P909)  |
| 08-50-0106     | 2478-1-(P909)L | 08-52-0072     | 2478-3-(P909)L | 08-50-0093      | 2478-1C-(154)L | 08-52-0045      | 2478-3C-(P909)L |
| 08-56-0105     | 2478-1-(550)   | 08-65-0114     | 2478-3-(555)   |                 |                | 08-52-0023      | 2478-3C-(154)   |
| 08-56-0106     | 2478-1-(550)L  | 08-65-0115     | 2478-3-(555)L  |                 |                | 08-52-0024      | 2478-3C-(154)L  |
| 08-55-0103     | 2478-1-(555)   | 08-52-0811     | 2478-3-(154)   |                 |                |                 |                 |
| 08-55-0104     | 2478-1-(555)L  | 08-52-0812     | 2478-3-(154)L  |                 |                |                 |                 |
| 08-50-0119     | 2478-1-(122)   | 08-50-0281     | 2478-3-(122)   |                 |                |                 |                 |
| 08-50-0120     | 2478-1-(122)L  |                | 2478-3-(122)L  |                 |                |                 |                 |
| 08-50-0271     | 2478-1-(P909)A | 08-58-0121     | 2478-3-(550)   |                 |                |                 |                 |
| 08-50-0015     | 2478-1-(154)   | 08-58-0122     | 2478-3-(550)L  |                 |                |                 |                 |
| 08-50-0016     | 2478-1-(154)L  | 08-58-0103     | 2478-3-(591)   |                 |                |                 |                 |
| 08-50-0063     | 2478-1-(224)   | 08-58-0104     | 2478-3-(591)L  |                 |                |                 |                 |
| 08-50-0064     | 2478-1-(224)L  | 08-58-0114     | 2478-3-(558)   |                 |                |                 |                 |
| 08-55-0133     | 2478-1-(561)   | 08-58-0115     | 2478-3-(558)L  |                 |                |                 |                 |
| 08-55-0134     | 2478-1-(561)L  |                |                |                 |                |                 |                 |

WINDING DETAIL 'A'



WINDING DETAIL 'B'



|  |                    |  |   |                      |                       |                        |
|--|--------------------|--|---|----------------------|-----------------------|------------------------|
| SEE SHEET 1<br>EC NO. 00704-431<br>DRAWN BY: 2016/07<br>CHECKED BY: 2016/07<br>APPROVED BY: 2016/07<br>DATE: | QUALITY SYMBOLS    | GENERAL TOLERANCES (UNLESS SPECIFIED)                | DRAGON STYLE  | SCALE                | DESIGN UNITS          | THIRD ANGLE PROJECTION |
|  | ∇=0                | 4 PLACES ±--- ±---                                   | MM/IN   | ---                  | INCH                  |                        |
|  | ∇=0                | 3 PLACES ±--- ±.010                                  | DRAWN BY: SAMIEC  | DATE: 06/03/86       | TITLE: CRIMP TERMINAL |                        |
|  | ∇=0                | 2 PLACES ±0.25 ±.014                                 | CHECKED BY: PATEL   | DATE: 06/03/86       | 156 CENTERS           |                        |
|  | 1 PLACE ±0.36 ±--- | APPROVED BY: FSMITH                                  | DATE: 2012/03/20  |                      |                       |                        |
|  | 0 PLACE ±--- ±---  | ANGULAR ±1/2°  | MATERIAL NO. SEE CHART  | DOCUMENT NO. SD-2478 |                       |                        |
|  |                    | DRAFT WHERE APPLICABLE MUST REMAIN WITHIN DIMENSIONS | THIS DRAWING CONTAINS INFORMATION THAT IS PROPRIETARY TO MOLEX INCORPORATED AND SHOULD NOT BE USED WITHOUT WRITTEN PERMISSION |                      |                       |                        |