

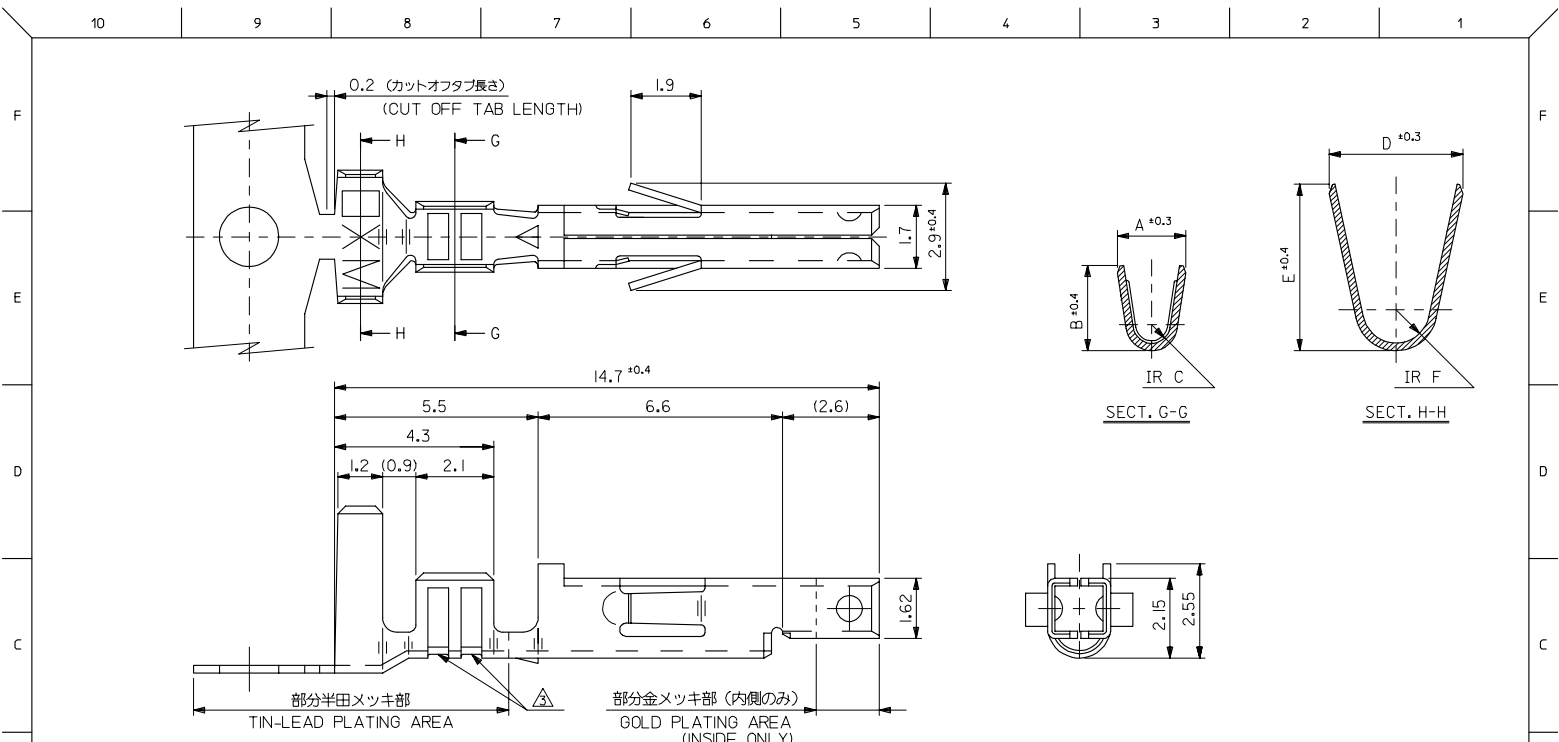
## Excellent Integrated System Limited

Stocking Distributor

Click to view price, real time Inventory, Delivery & Lifecycle Information:

[Molex Connector Corporation](#)  
[39-00-0055](#)

For any questions, you can email us directly:  
[sales@integrated-circuit.com](mailto:sales@integrated-circuit.com)



黄銅 BRASS (t=0.203)	部分金メッキ: 0.76 μm MIN. SELECTIVE GOLD: 0.76 μm MIN. 部分半田メッキ: 2 μm MIN. SELECTIVE TIN-LEAD: 2 μm MIN. ニッケルメッキ (下地): 1.27 μm MIN. NICKEL: 1.27 μm MIN.	0.6	2.3	2.3	0.4	1.65	1.8	∅ 0.9-1.8	#22-28	39-00-0086	5556 GS2L	パズル LOOSE
		0.9	4.5	3.6	0.5	2.3	1.9	∅ 1.3-3.1	#18-24	-0085	GS2	接続済 CHAN
MATERIAL	メッキ・FINISH	F	E	D	C	B	A	被覆外形 INS. RANGE	適用電線 WIRE RANGE	EDP NO.	ENG. NO.	端子形状 FORM

注記  
NOTES.

- 適合ハウジング: 5557 シリーズ  
APPLICABLE HOUSING: 5557 SERIES.
  - 嵌合相手: 5558, 5566, 5569 シリーズ  
MATES WITH TERMINAL: 5558, 5566, 5569 SERIES.
- △ 適用電線が #22-28 の製品のセレーション数は 1 とする。  
THE NUMBER OF SERRATIONS TO BE ONE FOR WIRE RANGE #22-28.

REVISED EC NO: J2005-103 DRAWN/MEDIA: 2004/10/20 CHK/CHK/TOYODA: 2004/10/20 APP/APP/NIKITA: 2004/10/22	DESCRIPTION	GENERAL TOLERANCES (UNLESS SPECIFIED)		DIMENSION STYLE		SCALE	DESIGN UNITS	THIRD ANGLE PROJECTION
		10 UNDER	± 0.2	MM ONLY	10:1	METRIC	NEW MINI FIT CONN CRIMP REC	
		10 OVER 30 UNDER	± 0.25					
		30 OVER	± 0.3					
	ANGULAR	± 3°						
	DRAFT WHERE APPLICABLE MUST REMAIN WITHIN DIMENSIONS		MATERIAL NO.		DOCUMENT NO.		SHEET NO.	
	SIZE: THIS DRAWING CONTAINS INFORMATION THAT IS PROPRIETARY TO MOLEX INCORPORATED AND SHOULD NOT BE USED WITHOUT WRITTEN PERMISSION		SEE CHART		SD-5556GS**		1 OF 1	