

Excellent Integrated System Limited

Stocking Distributor

Click to view price, real time Inventory, Delivery & Lifecycle Information:

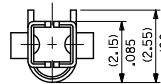
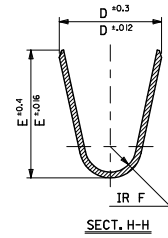
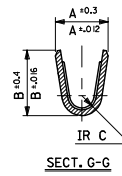
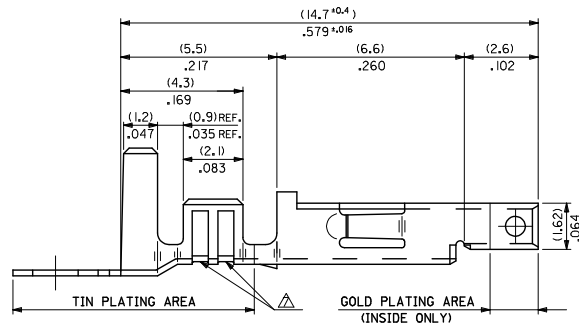
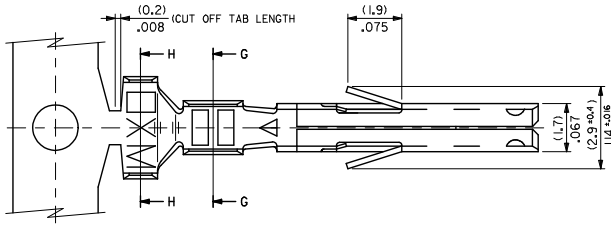
[Molex Connector Corporation](#)
[0039000153](#)

For any questions, you can email us directly:

sales@integrated-circuit.com

NOTES

1. MATERIAL: SEE CHART.
2. FINISH: SEE CHART.
3. PRODUCT SPECIFICATION: PS-5556-001, PS-5556-002, PS-5556-003.
4. PACKAGING SPECIFICATION: PK-5556-001 FOR CHAIN TERMINALS.
PK-5556-003 FOR LOOSE TERMINALS.
5. MATES WITH: 5558, 5566, 5569, 30069, 30070, 42440, 42404, 43879, 43810, 44068.
6. APPLICABLE HOUSING: 5557, 30067, 44516, OR 42474.
7. THE NUMBER OF SERRATIONS TO BE ONE FOR WIRE RANGE #22-28.
8. WHEN TERMINALS ARE INSTALLED IN THE HOUSING THE WIRES ARE TO BE DRESSED IN SUCH A MANNER TO ALLOW THE TERMINALS TO FLOAT FREELY IN THE POCKET.
9. THIS TERMINAL IS DESIGNED FOR SINGLE WIRE CRIMPING.
10. PART CONFORMS TO CLASS "B" REQUIREMENTS OF COSMETIC SPECIFICATION PS-45499-002.



OBS. P/N'S EC NO: UCP2013-1816 DRAWN BY: ZHANGBEE 2012/11/06 CHKD: JELL 2012/11/06 APPR: SMITH 2013/01/11	QUALITY SYMBOLS =0 =0 =0	GENERAL TOLERANCES (UNLESS SPECIFIED)		DIMENSION STYLE		SCALE	DESIGN UNITS	THIRD ANGLE PROJECTION	
				MM/IN			METRIC		
		4 PLACES ±---	±---	DRAWN BY	DATE	TITLE			
		3 PLACES ±---	±.008	HIRAMOT	'91/05/18	MINI FIT JR SELECT GOLD FEMALE CRIMP TERMINAL -LEAD FREE-			
2 PLACES ±0.2	±.008	CHECKED BY	DATE	MOLEX INCORPORATED					
1 PLACE ±0.2	±---	MFUKUSHI	'98/11/09	MATERIAL NO. DOCUMENT NO. SHEET NO.					
ANGULAR ± 3°		APPROVED BY	DATE	SEE CHART SD-5556-006 1 OF 2					
DRAFT WHERE APPLICABLE MUST REMAIN WITHIN DIMENSIONS		FSMITH	2013/01/11	THIS DRAWING CONTAINS INFORMATION THAT IS PROPRIETARY TO MOLEX INCORPORATED AND SHOULD NOT BE USED WITHOUT WRITTEN PERMISSION					

10 9 8 7 6 5 4 3 2 1

BRASS	SELECTIVE GOLD (1.27µm)/50m.I. MIN. AND SELECTIVE TIN(2.54 µm)/ 100 m.I. MIN. OVER NICKEL (1.27µm)/50m.I. MIN.	(0.9)	(4.5)	(3.6)	(0.6)	(2.7)	(2.3)	∅ (3.1)	* 16	↑	-0142	GS9L	LOOSE
		.035	.177	.142	.024	.106	.091	.122 MAX.			-0141	GS9	CHAIN
		(0.6)	(2.3)	(2.3)	(0.4)	(1.65)	(1.8)	∅ (0.9-1.8)			↓	-0140	GS8L
	SELECTIVE GOLD (0.38µm)/15m.I. MIN. AND SELECTIVE TIN(2.54µm)/100 m.I. MIN. OVER NICKEL (1.27µm)/50m.I. MIN.	(0.9)	(4.5)	(3.6)	(0.5)	(2.3)	(1.9)	∅ (1.3-3.1)	* 18-24	↑	39-00-0139	GS8	CHAIN
		.024	.091	.091	.016	.065	.071	.035-.071			40-13-0852	GS7L	LOOSE
		(0.9)	(4.5)	(3.6)	(0.6)	(2.7)	(2.3)	∅ (3.1)			40-13-0851	GS7	CHAIN
	SELECTIVE GOLD (0.76µm)/30m.I. MIN. AND SELECTIVE TIN (2.54µm)/100m.I. MIN. OVER NICKEL (1.27µm)/50m.I. MIN.	(0.9)	(4.5)	(3.6)	(0.6)	(2.7)	(2.3)	∅ (3.1)	* 16	↑	39-00-0094	GS6L	LOOSE
		.035	.177	.142	.024	.106	.091	.122 MAX.			-0093	GS6	CHAIN
		(0.6)	(2.3)	(2.3)	(0.4)	(1.65)	(1.8)	∅ (0.9-1.8)			-0092	GS5L	LOOSE
	SELECTIVE GOLD (0.76µm)/30m.I. MIN. AND SELECTIVE TIN (2.54µm)/100m.I. MIN. OVER NICKEL (1.27µm)/50m.I. MIN.	(0.9)	(4.5)	(3.6)	(0.5)	(2.3)	(1.9)	∅ (1.3-3.1)	* 18-24	↑	-0091	GS5	CHAIN
		.024	.091	.091	.016	.065	.071	.035-.071			-0074	GS4L	LOOSE
		(0.9)	(4.5)	(3.6)	(0.6)	(2.7)	(2.3)	∅ (3.1)			-0073	GS4	CHAIN
SELECTIVE GOLD (0.76µm)/30m.I. MIN. AND SELECTIVE TIN (2.54µm)/100m.I. MIN. OVER NICKEL (1.27µm)/50m.I. MIN.	(0.9)	(4.5)	(3.6)	(0.6)	(2.7)	(2.3)	∅ (3.1)	* 16	↑	-0090	GS3L	LOOSE	
	.035	.177	.142	.024	.106	.091	.122 MAX.			-0089	GS3	CHAIN	
	(0.6)	(2.3)	(2.3)	(0.4)	(1.65)	(1.8)	∅ (0.9-1.8)			-0435	GS2L7F	LOOSE	
SELECTIVE GOLD (0.76µm)/30m.I. MIN. AND SELECTIVE TIN (2.54µm)/100m.I. MIN. OVER NICKEL (1.27µm)/50m.I. MIN.	(0.9)	(4.5)	(3.6)	(0.5)	(2.3)	(1.9)	∅ (1.3-3.1)	* 18-24	↑	-0434	GS27F	CHAIN	
	.024	.091	.091	.016	.065	.071	.035-.071			↓	-0429	GS17F	LOOSE
	(0.9)	(4.5)	(3.6)	(0.5)	(2.3)	(1.9)	∅ (1.3-3.1)			39-00-0428	5556 GS7F	CHAIN	
MATERIAL	FINISH	F	E	D	C	B	A	INS. RANGE	WIRE RANGE	EDP NO.	ENG. NO.	FORM	

SEE SHEET 1 E.C. NO: JCP2013-1816 DRAWN BY: JORWABEE CHKD: BELLE APPR: F. SMITH 2012/11/06 2012/11/06 2013/01/11	QUALITY SYMBOLS ∇=0 ∇=0 ∇=0	GENERAL TOLERANCES (UNLESS SPECIFIED)		DIMENSION STYLE		SCALE	DESIGN UNITS	THIRD ANGLE PROJECTION		
				MM/IN		10:1	METRIC			
				mm	INCH	DRAWN BY	DATE	TITLE		
				4 PLACES ± .008	± .008	HIRAMOT	'91/05/18	MINI FIT JR SELECT GOLD FEMALE CRIMP TERMINAL -LEAD FREE-		
		3 PLACES ± .012	± .012	CHECKED BY	DATE	molex				
		2 PLACES ± 0.2	± .008	MFUKUSHI	'98/11/09	SD-5556-006				
		1 PLACE ± 0.2	± .008	APPROVED BY	DATE	SHEET NO.				
		0 PLACE ± .008	± .008	F. SMITH	2013/01/11	2 OF 2				
		ANGULAR ± 3°		MATERIAL NO.		DOCUMENT NO.				
		DRAFT WHERE APPLICABLE MUST REMAIN WITHIN DIMENSIONS		SEE CHART						
				SIZE B		THIS DRAWING CONTAINS INFORMATION THAT IS PROPRIETARY TO MOLEX INCORPORATED AND SHOULD NOT BE USED WITHOUT WRITTEN PERMISSION				

9 8 7 6 5 4 3 2 1