



## Excellent Integrated System Limited

Stocking Distributor

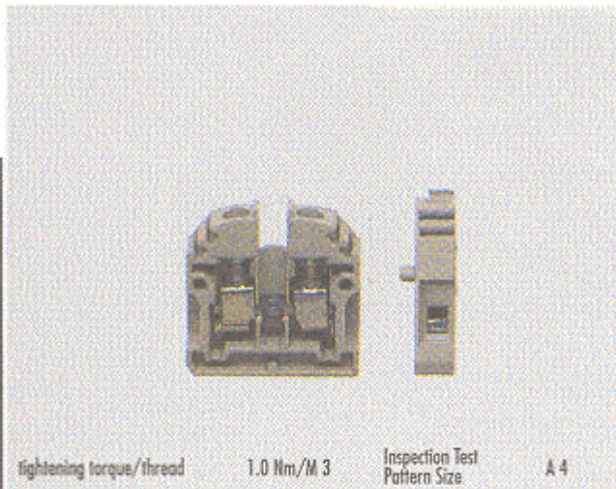
Click to view price, real time Inventory, Delivery & Lifecycle Information:

[On-Shore Technology, Inc.](#)  
[2101.2](#)

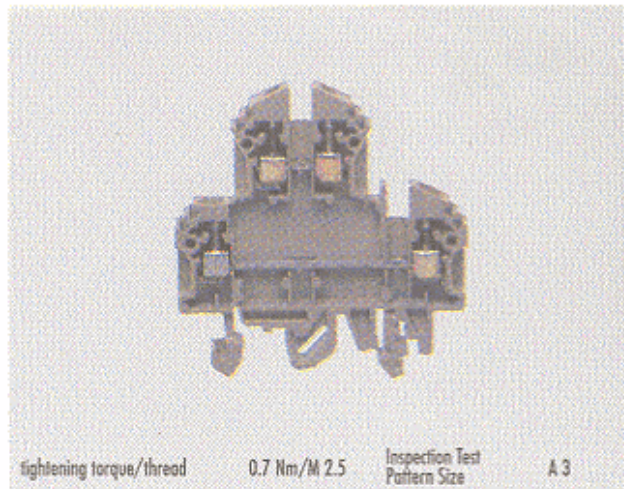
For any questions, you can email us directly:

[sales@integrated-circuit.com](mailto:sales@integrated-circuit.com)

**SRM 4**



tightening torque/thread	1.0 Nm/M 3	Inspection Test Pattern Size	A 4
Type	Cat.-No.	Qty.p.pck.	
<b>SRM 4</b>	41018.2	beige	100



tightening torque/thread	0.7 Nm/M 2.5	Inspection Test Pattern Size	A 3
Type	Cat.-No.	Qty.p.pck.	
<b>SRD 2.5</b>	41206.2	beige	100
<b>SRD 2.5</b>	41206.5	blue	100

**SRD 2.5**

**Ratings:**

	UL	CSA	DIN-VDE	IEC
Rated Voltage	300 V	300 V	500 V	500 V
Rated Current	30 A AWG 12	34 A	34 A	32 A

**Max Rated Cross Section**

Single Wire (solid)	0.2-4 mm <sup>2</sup>
Stranded Wire (flexible)	0.2-4 mm <sup>2</sup>
Wire Size	AWG 22-12

**Dimensions**

LxBxH (mm)	Direct mounting	27x6x28
Stripped Length	9 mm	

**Ratings:**

	UL	CSA	DIN-VDE	IEC
Rated Voltage	300 V	300 V	500 V	500 V
Rated Current	20 A AWG 14	20 A	26 A	24 A

**Max Rated Cross Section**

Single Wire (solid)	0.2-4 mm <sup>2</sup>
Stranded Wire (flexible)	0.2-2.5 mm <sup>2</sup>
Wire Size	AWG 22-14

**Dimensions**

LxBxH (mm)	TS 32	TS 35
	59x5x65	59x5x60
Stripped Length	7 mm	

**TERMINAL BLOCKS**

Type:	Cat.-No.	Qty.p.pck.	Terminal accessories	Type:	Cat.-No.	Qty.p.pck.
AP 1.5-4	2738.2 beige	50	End plate	AP 4	2101.2 beige 2101.5 blue	20
TW 1.5-4	2071.2 beige 2071.5 blue	50	Isolation partition			
TRS 3	2566.2 beige	100	Separator	TRS 3	2566.2 beige	100
EH 1	2135.2 beige	50	End bracket	ES 32/35 Combi	1424.2 beige	50
			End bracket	ES 32/K/ST	2827.0	50
			End bracket	ES 35/2/K	2826.2 beige	50
			End bracket	ES 35/K/ST	2828.0	50
STB 8.5/2.3	2075.0	50	Test socket	STB 8.5/2.3	2075.0	50
PS 2.3	2007.0	20	Test plug	PS 2.3	2007.0	20
QL 2	2076.0	50	Switchable link			
VH 16	2077.0	100	Connection sleeve			
BS M 2.5x20	2078.0	100	Screw			
AD 4	2079.0	50	Warning tag (German)			
AD 4 E	2493.0	50	Warning tag (English)			
BSK M 2.5x20	2080.0	100	Plastic screw for warning tag			
Q2	2087.0	50	Cross-connection	Q2	2567.0	50
Q3	2088.0	50	Cross-connection	Q3	2568.0	50
Q4	2089.0	20	Cross-connection	Q4	2569.0	20
Q10	2090.0	10	Cross-connection	Q10	2570.0	10