



Excellent Integrated System Limited

Stocking Distributor

Click to view price, real time Inventory, Delivery & Lifecycle Information:

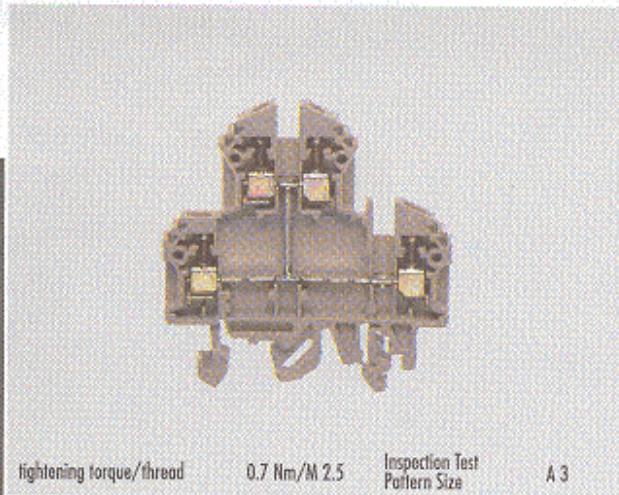
[On-Shore Technology, Inc.](#)
[41020.2](#)

For any questions, you can email us directly:

sales@integrated-circuit.com

TERMINAL BLOCKS

SRD 2.5 V



tightening torque/thread 0.7 Nm/M 2.5 Inspection Test Pattern Size A 3

Type	Cat.-No.	Color	Qty.p.pck
SRD 2.5 V	41209.2	beige	100

Ratings:

	UL	CSA	DIN-VDE	IEC
Rated Voltage	300 V	300 V	500 V	500 V
Rated Current	20 A AWG 14	20 A	26 A	24 A

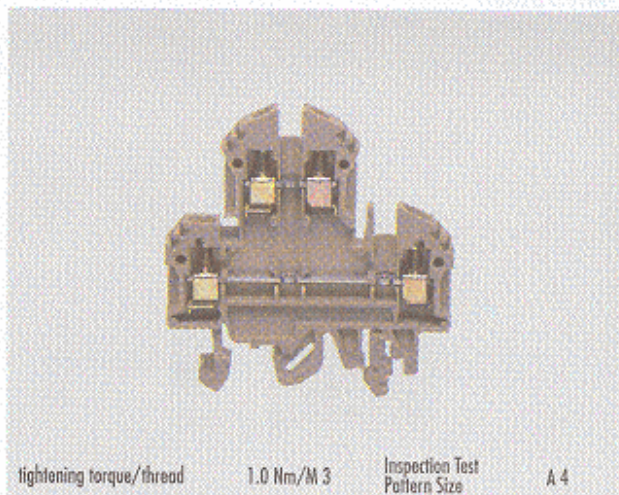
Max Rated Cross Section

Single Wire (solid)	0.2-4 mm ²
Stranded Wire (flexible)	0.2-2.5 mm ²
Wire Size	AWG 22-14

Dimensions

	TS 32	TS 35
LxBxH (mm)	59x5x65	59x5x60
Stripped Length	7 mm	

SRD 4



tightening torque/thread 1.0 Nm/M 3 Inspection Test Pattern Size A 4

Type	Cat.-No.	Color	Qty.p.pck
SRD 4	41020.2	beige	100
SRD 4	41020.5	blue	100

Additional colors available. See page 114.

Ratings:

	UL	CSA	DIN-VDE	IEC
Rated Voltage	300 V	300 V	500 V	500 V
Rated Current	30 A AWG 12	27 A	34 A	32 A

Max Rated Cross Section

Single Wire (solid)	0.2-4 mm ²
Stranded Wire (flexible)	0.2-4 mm ²
Wire Size	AWG 22-12

Dimensions

	TS 32	TS 35
LxBxH (mm)	59x6x65	59x6x60
Stripped Length	9 mm	

Type:	Cat.-No.	Qty.p.pck.	Terminal accessories	Type:	Cat.-No.	Qty.p.pck.
AP 4	2101.2 beige 2101.5 blue	20	End plate	AP 4	2101.2 beige 2101.5 blue	20
TRS 3	2566.2 beige	100	Isolation partition	TRS 3	2566.2 beige	100
ES 32/35 Combi	1424.2 beige	50	Separator	ES 32/35 Combi	1424.2 beige	50
ES 32/K/ST	2827.0		End bracket	ES 32/K/ST	2827.0	
ES 35/2/K	2826.2 beige	50	End bracket	ES 35/2/K	2826.2 beige	50
ES 35/K/ST	2828.0		Test socket	ES 35/K/ST	2828.0	
STB 8.5/2.3	2075.0	50	Test plug	STB 8.5/2.3	2075.0	50
PS 2.3	2007.0	20	Switchable link	PS 2.3	2007.0	20
			Connection sleeve			
			Screw			
			Warning tag (German)	AD 4	2079.0	50
			Warning tag (English)	AD 4 E	2493.0	50
			Plastic screw for warning tag	BSK M 2.5x20	2080.0	100
Q2	2567.0	50	Cross-Connection	Q2	2087.0	50
Q3	2568.0	50	Cross-Connection	Q3	2088.0	50
Q4	2569.0	20	Cross-Connection	Q4	2089.0	20
Q10	2570.0	10	Cross-Connection	Q10	2090.0	10