

Excellent Integrated System Limited

Stocking Distributor

Click to view price, real time Inventory, Delivery & Lifecycle Information:

[Littelfuse](#)
[55600000001](#)

For any questions, you can email us directly:

sales@integrated-circuit.com

SUBMINIATURE FUSEHOLDERS



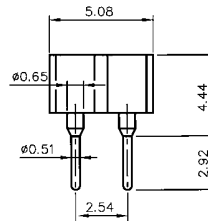
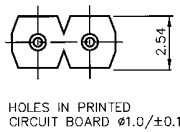
TR3
PC Board Mounting

Sockets

- FaxBack Document # 310
- Short Leads
- Wave Solderable

No. 561

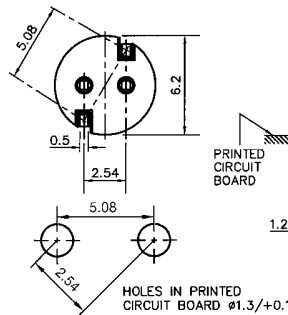
Vertical



- **Rated Voltage:** 125V
- **Mounting:**
PC Board, 2.54mm pin spacing
- **Material:**
Body: Black thermoplastic (PBT), UL 94-V0
Metal parts: Beryllium copper, corrosion protected
Terminals: Brass, tin-plated for soldering
- **Electrical Data:**
Max. current carrying capacity: 5A
Admissible fuse power dissipation: 1.6W at 40°C
Conducting path cross-section: 0.1mm²

No. 556

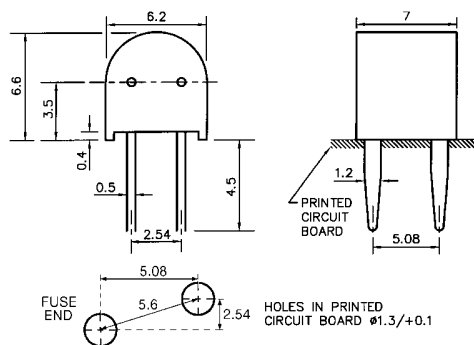
Vertical



- **Rated Voltage:** 125V
- **Mounting:**
PC Board, 5.08mm hole spacing
- **Material:**
Body: Black thermoplastic (Polyamide PA 6.6), UL 94-V0
Metal parts: Copper alloy, corrosion protected
Terminals: Tinned for soldering
- **Electrical Data:**
Max. current carrying capacity: 5A
Admissible fuse power dissipation: 1.6W at 40°C
Conducting path cross-section: 0.1mm²

No. 557

Horizontal



- **Rated Voltage:** 125V
- **Mounting:**
PC Board, 5.08mm hole spacing
- **Material:**
Body: Black thermoplastic (Polyamide PA 6.6), UL 94-V0
Metal parts: Copper alloy, corrosion protected
Terminals: Tinned for soldering
- **Electrical Data:**
Max. current carrying capacity: 5A
Admissible fuse power dissipation: 1.6W at 40°C
Conducting path cross-section: 0.1mm²