

Excellent Integrated System Limited

Stocking Distributor

Click to view price, real time Inventory, Delivery & Lifecycle Information:

[Molex Connector Corporation](#)
[0300700615](#)

For any questions, you can email us directly:
sales@integrated-circuit.com

NATURAL HEADERS

30070-1232		12	GOLD	.1039	.827	BULK
30070-1235			TIN	(26.40)	(21.00)	
30070-1032		10	GOLD	.874	.661	
30070-1035			TIN	(22.20)	(16.80)	
30070-0832		8	GOLD	.709	.496	
30070-0835			TIN	(18.00)	(12.60)	
30070-0632		6	GOLD	.543	.331	BULK
30070-0635			TIN	(13.80)	(8.40)	
30070-0432		4	GOLD	.378	.165	BULK
30070-0435			TIN	(9.60)	(4.20)	
30070-0232		2	GOLD	.213		BULK
30070-0235			TIN	(5.40)		

PART NUMBER	ENG NUMBER	CKT. SIZE	PLATING	DIM 'A'	DIM 'B'	PACKAGING
-------------	------------	-----------	---------	---------	---------	-----------

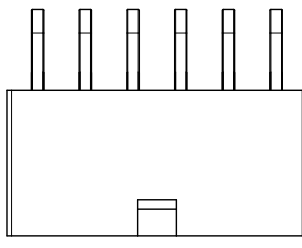
BLACK HEADERS

30070-1212		12	GOLD	.1039	.827	BULK
30070-1215			TIN	(26.40)	(21.00)	
30070-1012		10	GOLD	.874	.661	
30070-1015			TIN	(22.20)	(16.80)	
30070-0812		8	GOLD	.709	.496	
30070-0815			TIN	(18.00)	(12.60)	
30070-0612		6	GOLD	.543	.331	BULK
30070-0615			TIN	(13.80)	(8.40)	
15-97-8048	30070-04B1	4	GOLD	.378	.165	BULK
15-97-8043	30070-04B3		TIN	(9.60)	(4.20)	
15-97-8028	30070-02B1	2	GOLD	.213		BULK
15-97-8023	30070-02B3		TIN	(5.40)		

PART NUMBER	ENG NUMBER	CKT. SIZE	PLATING	DIM 'A'	DIM 'B'	PACKAGING
-------------	------------	-----------	---------	---------	---------	-----------

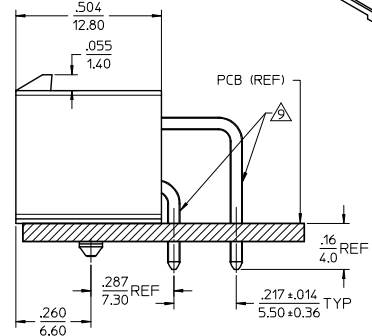
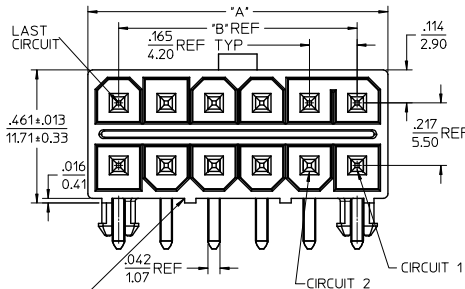
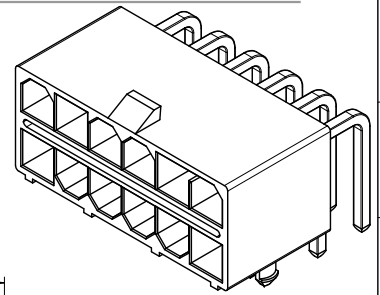
NOTES:

- MATERIAL: HOUSING: POLYESTER, UNFILLED, UL94 V-0, COLOR: SEE CHART
TERMINALS: BRASS
- TERMINAL PLATING:
3 OR 5-.000100/(0.00254) MIN. MATTE TIN OVER .000050/(0.00127) MIN. NICKEL
1 OR 2-.000030/(0.00076) MIN. SELECT GOLD AND .000100/(0.00254) MIN. SELECT MATTE TIN OVER .000050/(0.00127) MIN. NICKEL OVERALL
- PRODUCT SPECIFICATION: PS-5556-003
- PACKAGING: SEE CHARTS: BULK PER PK-30070-001 TRAY PER PK-44483-001
- PART MATES WITH MINI-FIT JR. TPA RECEPTACLE 30067.
- PARTS ARE NOT TO BE MATED OR UNMATED WHILE CIRCUITS ARE LIVE.
- DISCOLORATION ON THE BANDOLIER CARRIER AREA OF THE PIN IS INHERENT TO THE PLATING PROCESS AND IS DUE TO THE MASKING EFFECT OF THE CARRIER. THIS DISCOLORATION IS IN A NON-FUNCTIONAL AREA OF THE PIN AND WILL NOT AFFECT THE PERFORMRANCE OF THE HEADER ASSEMBLY.
- PARTS CONFORM TO CLASS 'B' REQUIREMENTS OF COSMETIC SPECIFICATION PS-45499-002.
- FORMING MARKS ARE ACCEPTABLE.
- PARTS ARE NOT DESIGNED FOR CURRENT SHARING.



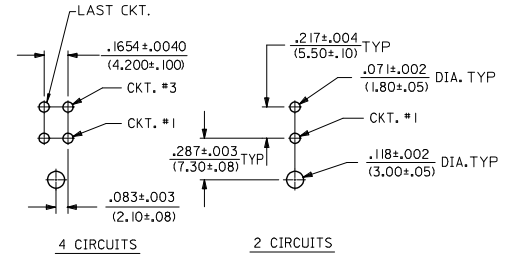
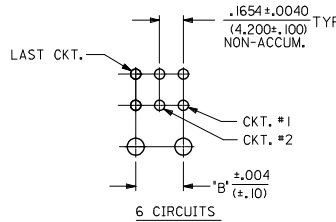
FINISHED PART LEGEND

30070 - * * * *
 BASE NUMBER
 CIRCUIT SIZE
 PCB MOUNTING & COLOR
 'B' OR '1' = PEG, COLOR = BLACK
 'A' = FLANGE (SEE SHEET 2)
 '3' = PEG, COLOR = NATURAL
 PLATING (SEE NOTE 2)



SHOWN WITH OPTIONAL CENTER RIBS
 MAY OR MAY NOT BE PRESENT
 DEPENDING ON CIRCUIT SIZE

OPTION 1 AND 3
 PEG MOUNT
 SEE SHEET 2 FOR FLANGE MOUNT



NOTE: DIMENSIONS SHOWN IN THIS VIEW ARE TYPICAL FOR ALL P.C.B. CONFIGURATIONS FROM 6-16 CIRCUITS.

RECOMMENDED HOLE LAYOUT FOR .070/(.178) MAX. P.C.BOARD
 VIEWED FROM COMPONENT SIDE OF BOARD

ADD. TOL. TO PCB EC. NO. UCP2015-3665 DRWNG. DPOX 2/05/04/08 CHKGD: BELL 2/05/04/08 APPR: SMITH 2/05/04/08	QUALITY SYMBOLS ▽=0 ▽=0 ▽=0	GENERAL TOLERANCES (UNLESS SPECIFIED) mm INCH 4 PLACES ±.010 ±.004 3 PLACES ±.025 ±.014 2 PLACES ±0.36 ±.014 1 PLACE ±.036 ±.014 0 PLACE ±.036 ±.014	DIMENSION STYLE IN/MM	SCALE 4:1	DESIGN UNITS METRIC	THIRD ANGLE PROJECTION	
		DRAWN BY T.GREGOR	DATE 2006/03/28	MINI-FIT TPA RIGHT ANGLE HEADER ASSY			
		CHECKED BY J.COMERC	DATE 2006/03/28	molex			
		APPROVED BY F.SMITH	DATE 2010/04/09	MATERIAL NO. SEE CHART	DOCUMENT NO. SD-30070-001	SHEET NO. 1 OF 2	

