



Distributor of Molex Connector Corporation: Excellent Integrated System Limited
Datasheet of 0387390616 - Connector Barrier Block Strip 4 Circuit 0.438" (11.12mm)

Contact us: sales@integrated-circuit.com Website: www.integrated-circuit.com

Excellent Integrated System Limited

Stocking Distributor

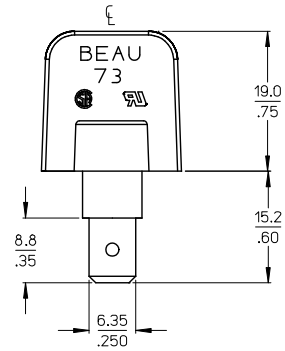
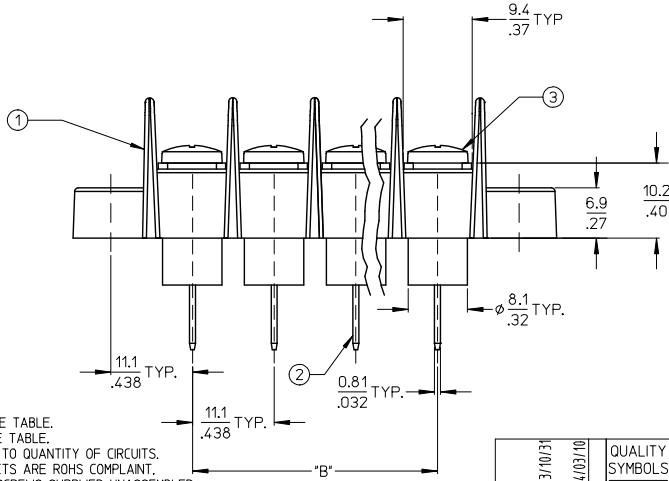
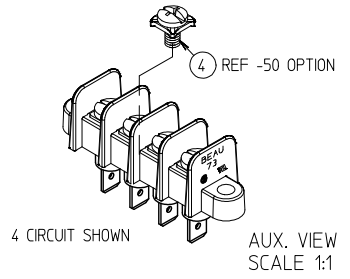
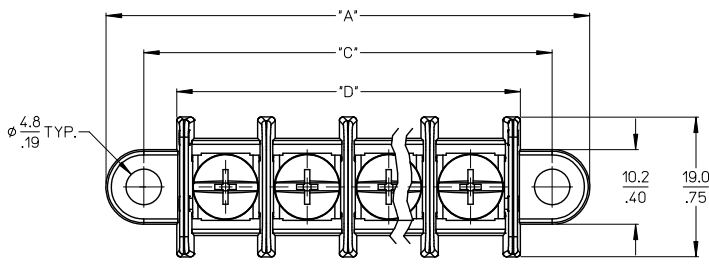
Click to view price, real time Inventory, Delivery & Lifecycle Information:

[Molex Connector Corporation](#)
[0387390616](#)

For any questions, you can email us directly:

sales@integrated-circuit.com

10 9 8 7 6 5 4 3 2 38732



NOTES:

1. MATERIAL: SEE TABLE.
2. FINISHES: SEE TABLE.
3. "XX" REFERS TO QUANTITY OF CIRCUITS.
4. ALL COMPONENTS ARE ROHS COMPLIANT.
5. -59 OPTION: SCREWS SUPPLIED UNASSEMBLED.

ITEM	QTY	DESCRIPTION	MATERIAL	FINISH	REV	DESCRIPTION	QUALITY SYMBOLS	GENERAL TOLERANCES (UNLESS SPECIFIED)		DIMENSION STYLE		SCALE	DESIGN UNITS	THIRD ANGLE PROJECTION
								mm	INCH	MM/IN	MM/IN			
4	XX	SCREW & WASHER, #8-32, PAN HEAD (-50 OPT)	BRASS	NICKEL PLATE		ADD -50-59 OPT	▽=0	4 PLACES	±---	±---	2:1	INCH	TITLE: 11.11/.438" SR BTS, INSUL TURRET, FT ASSY, #8-32 SCREWS MOLEX INCORPORATED DOCUMENT NO. SD-38732-002 SHEET NO. 1 OF 2	
3	XX	SCREW, #8-32, BIN HEAD (A- OPT)	STEEL	ZN, CLEAR CHROMATE		EC NO: IP62014-1260	▽=0	3 PLACES	±---	±.005				
2	XX	TERMINAL, FT, 8-32, SN/B	BRASS	TIN PLATE		DRAWN: JENCINAS 2013/10/31		2 PLACES	±0.13	±.01				
1	1	INSULATOR, SINGLE ROW	POLYESTER (PBT)	BLACK		CHECKED: JMACNE IL 2013/08/27		1 PLACE	±0.3	±---				
						APPROVED: JMACNE IL 2014/03/10		ANGULAR ± 2°						
DRAFT WHERE APPLICABLE MUST REMAIN WITHIN DIMENSIONS								MATERIAL NO. SEE CHART		DATE 2014/03/10				

10 9 8 7 6 5 4 3 2 38732

NO. OF CIRCUITS	DIM. 'A'		DIM. 'B'		DIM. 'C'		DIM. 'D'		ASSEMBLY MATERIAL NO. (-A OPT)	ASSEMBLY MATERIAL NO. (-A-50 OPT)	ASSEMBLY MATERIAL NO. (-A-50-59 OPT)
	mm	in	mm	in	mm	in	mm	in			
02	43.5	1.71	11.11	.438	33.34	1.313	24.5	.97	38732-2502	38732-2702	
03	54.6	2.15	22.23	.875	44.45	1.750	35.7	1.40	38732-2503	38732-2703	
04	65.7	2.59	33.34	1.313	55.56	2.188	46.8	1.84	38732-2504	38732-2704	38739-0616
05	76.8	3.03	44.45	1.750	66.68	2.625	57.9	2.28	38732-2505	38732-2705	
06	87.9	3.46	55.56	2.188	77.79	3.063	69.0	2.72	38732-2506	38732-2706	
07	99.1	3.90	66.68	2.625	88.90	3.500	80.1	3.15	38732-2507	38732-2707	
08	110.2	4.34	77.79	3.063	100.01	3.938	91.2	3.59	38732-2508	38732-2708	38739-0617
09	121.3	4.78	88.90	3.500	111.13	4.375	102.3	4.03	38732-2509	38732-2709	
10	132.4	5.21	100.01	3.938	122.24	4.813	113.4	4.47	38732-2510	38732-2710	38739-0618
11	143.5	5.65	111.13	4.375	133.35	5.250	124.6	4.90	38732-2511	38732-2711	
12	154.6	6.09	122.24	4.813	144.46	5.688	135.7	5.34	38732-2512	38732-2712	
13	165.7	6.53	133.35	5.250	155.58	6.125	146.8	5.78	38732-2513	38732-2713	
14	176.8	6.96	144.46	5.688	166.69	6.563	157.9	6.22	38732-2514	38732-2714	
15	188.0	7.40	155.58	6.125	177.80	7.000	169.0	6.65	38732-2515	38732-2715	
16	199.1	7.84	166.69	6.563	188.91	7.438	180.1	7.09	38732-2516	38732-2716	
17	210.2	8.28	177.80	7.000	200.03	7.875	191.2	7.53	38732-2517	38732-2717	
18	221.3	8.71	188.91	7.438	211.14	8.313	202.3	7.97	38732-2518	38732-2718	
19	232.4	9.15	200.03	7.875	222.25	8.750	213.5	8.40	38732-2519	38732-2719	
20	243.5	9.59	211.14	8.313	233.36	9.188	224.6	8.84	38732-2520	38732-2720	
21	254.6	10.03	222.25	8.750	244.48	9.625	235.7	9.28	38732-2521	38732-2721	
22	265.7	10.46	233.36	9.188	255.59	10.063	246.8	9.72	38732-2522	38732-2722	
23	276.8	10.90	244.48	9.625	266.70	10.500	257.9	10.15	38732-2523	38732-2723	
24	288.0	11.34	255.59	10.063	277.81	10.938	269.0	10.59	38732-2524	38732-2724	
25	299.1	11.78	266.70	10.500	288.93	11.375	280.1	11.03	38732-2525	38732-2725	
26	310.2	12.21	277.81	10.938	300.04	11.813	291.2	11.47	38732-2526	38732-2726	
27	321.3	12.65	288.93	11.375	311.15	12.250	302.4	11.90	38732-2527	38732-2727	
28	332.4	13.09	300.04	11.813	322.26	12.688	313.5	12.34	38732-2528	38732-2728	
29	343.5	13.53	311.15	12.250	333.38	13.125	324.6	12.78	38732-2529	38732-2729	
30	354.6	13.96	322.26	12.688	344.49	13.563	335.7	13.22	38732-2530	38732-2730	

SEE SHEET ONE IEC NO: IP02014-1260 DRAWN: JENCINAS 2013/11/19 CHECKED: JMACNEIL 2014/03/10 APPR: JMACNEIL	QUALITY SYMBOLS ▽=0 ▽=0	GENERAL TOLERANCES (UNLESS SPECIFIED)		DIMENSION STYLE MM/IN		SCALE 2:1	DESIGN UNITS INCH	THIRD ANGLE PROJECTION	
		4 PLACES ± --- ± --- 3 PLACES ± --- ± .005 2 PLACES ± 0.13 ± .01 1 PLACE ± 0.3 ± --- ANGULAR ± 2°	DRAWN BY JENCINAS DATE 2013/08/27	CHECKED BY JMACNEIL DATE 2013/08/27	TITLE 11.11/.438" SR.BTS. INSUL TURRET, FT ASSY, #8-32 SCREWS		APPROVED BY JMACNEIL DATE 2014/03/10	MOLEX INCORPORATED	MATERIAL NO. SEE CHART
DRAFT WHERE APPLICABLE MUST REMAIN WITHIN DIMENSIONS		THIS DRAWING CONTAINS INFORMATION THAT IS PROPRIETARY TO MOLEX INCORPORATED AND SHOULD NOT BE USED WITHOUT WRITTEN PERMISSION							

9 8 7 6 5 4 3 2 1