

Excellent Integrated System Limited

Stocking Distributor

Click to view price, real time Inventory, Delivery & Lifecycle Information:

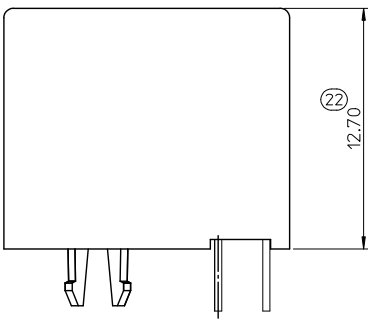
[Molex Connector Corporation](#)
[0955037440](#)

For any questions, you can email us directly:
sales@integrated-circuit.com

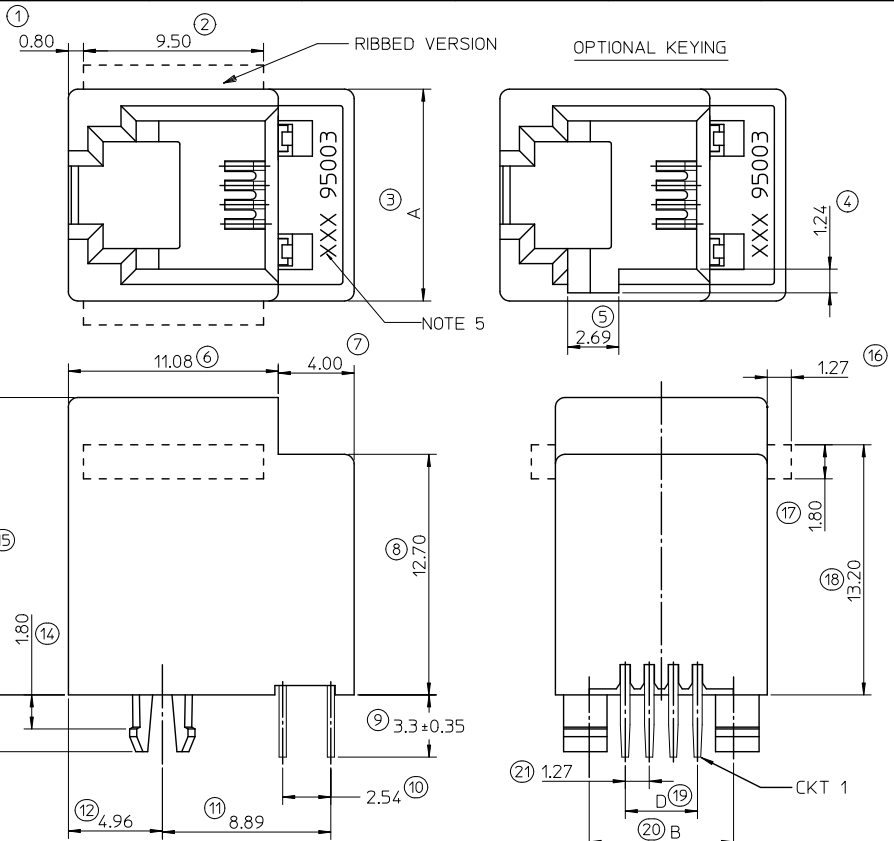
NOTES :

- 1- MATERIAL:
 - HOUSING: LCP FIBER GLASS FILLED UL 94-V0
COLOR BLACK.
 - TERMINAL: COPPER ALLOY
 - BASE FINISH: NICKEL
 - CONTACT SURFACE FINISH
GOLD
OR
GOLD FLASH OVER PALLADIUM NICKEL
EXCEEDS PRODUCT REQUIREMENTS BASED ON PS-95503-001
 - 2- JACK FOR MATING WITH F.C.C. 68 PLUGS
90075 MOLEX SERIES.
 3. P.C.B. THICKNESS: 1.57
 - 4- PRODUCT SPECIFICATION PS-95503-001
 - 5- PACKAGING SPECIFICATION:
 - STANDARD PACKAGING PK-95003 SHEET 1.
 - TUBE PACKAGING FOR SMT VERSION PK-95003 SHEET 2.
 - TUBE PACKAGING FOR THROUGH HOLE VERSION
PK-95003 SHEET 3.
 - TAPE AND REEL PACKAGING FOR THROUGH HOLE PK-95503-001.
 - 6- MANUFACTURING I.D. CAN BE MXF, MG OR MXI.
- INSPECTION NUMBERS USED: 1 - 50
LAST INSPECTION NUMBER: 22

TYPE	POS. 4		POS. 6		POS. 8
	4 CKTS.	4 CKTS.	6 CKTS.	8 CKTS.	8 CKTS.
A	11.18	13.21	13.21	15.24	
B	7.62	10.16	10.16	11.43	
D	3.81	3.81	6.35	8.89	



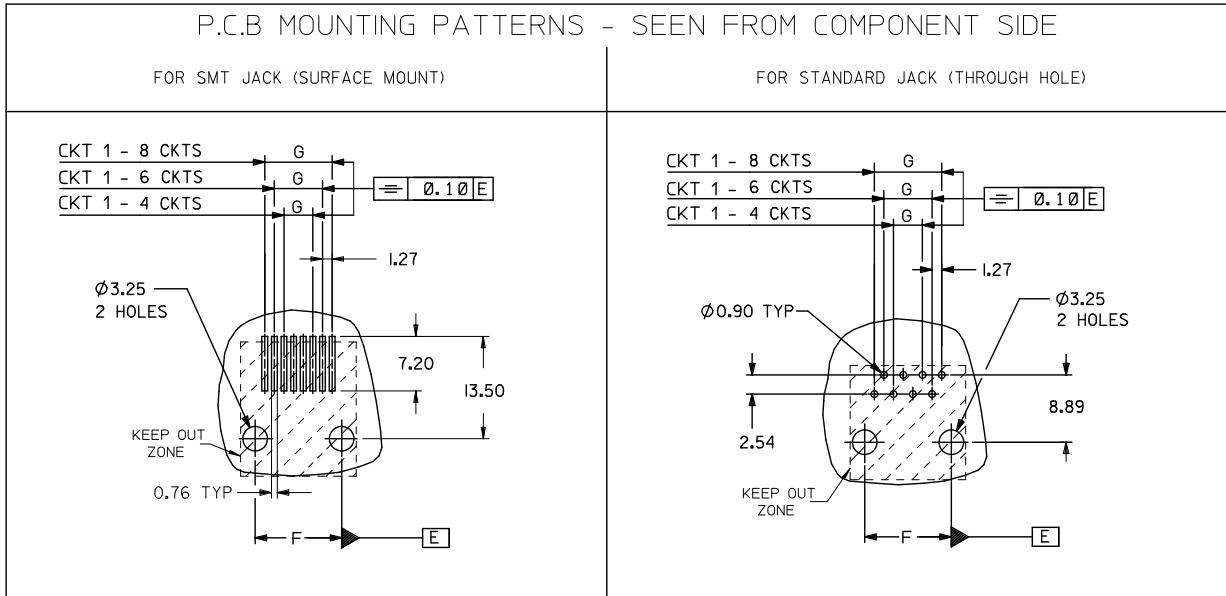
SHORT VERSION



MODIFIED PLATING OPTION EC NO.: IFG2012-0589 DR: RANBYRNES 2012/03/29 CHK: DASHAMHAN 2012/03/30 APPR: EFULAN 2012/06/28	QUALITY SYMBOLS	GENERAL TOLERANCES (UNLESS SPECIFIED)	DIMENSION STYLE	SCALE	DESIGN UNITS	THIRD ANGLE PROJECTION
	▼=0 ▽=0	4 PLACES ± --- ± --- 3 PLACES ± --- ± --- 2 PLACES ± 0.15 ± --- 1 PLACE ± 0.25 ± --- ANGULAR ± 5°	MM ONLY	5:1	METRIC	☉ ☐ THIRD ANGLE PROJECTION
	DRAWN BY: MARTIN CHECKED BY: FCARABETTA APPROVED BY: KNOLLER	DATE: 2005/06/15 DATE: 2005/06/15 DATE: 2005/06/15				TITLE: LOW PROFILE TOP ENTRY JACK (THROUGH HOLE VERSION) MOLEX INCORPORATED
	DRAFT WHERE APPLICABLE MUST REMAIN WITHIN DIMENSIONS	MATERIAL NO.: SEE SHT 4,5 SIZE: A3				DOCUMENT NO.: SD-95503-003 SHEET NO.: 1 OF 5

10 9 8 7 6 5 4 3 2 1

TYPE DIM.	POS. 4	POS. 6		POS. 8
	4 CKTS.	4 CKTS.	6 CKTS.	8 CKTS.
F ±0.05	7.62	10.16	10.16	11.43
G ±0.05	3.81	3.81	6.35	8.89



NOTES:
ALL DIMENSIONS REF DIMENSIONS

REMOVED INCHES EC NO: E2012-0079 DRAWN: JOCUNOR CHKD: APPR: EFO, AN 2011/03/04 2011/09/28	QUALITY SYMBOLS	GENERAL TOLERANCES (UNLESS SPECIFIED) 4 PLACES ± --- ± --- 3 PLACES ± --- ± --- 2 PLACES ± 0.15 ± --- 1 PLACE ± 0.25 ± --- ANGULAR ± .5 °	DIMENSION STYLE	SCALE	DESIGN UNITS	THIRD ANGLE PROJECTION
	▼=0 ▽=0		MM ONLY	1:1	METRIC	
DRAWN BY: MARTIN CHECKED BY: FCARABETTA APPROVED BY: KNOLLER DATE: 2005/06/15 DATE: 2005/06/15 DATE: 2005/06/15		TITLE: LOW PROFILE T/E JACK		MOLEX INCORPORATED		SHEET NO. 3 OF 5
DRAFT WHERE APPLICABLE MUST REMAIN WITHIN DIMENSIONS		MATERIAL NO. SEE SHT. 4, 5		DOCUMENT NO. SD-95503-003		THIS DRAWING CONTAINS INFORMATION THAT IS PROPRIETARY TO MOLEX INCORPORATED AND SHOULD NOT BE USED WITHOUT WRITTEN PERMISSION

9 8 7 6 5 4 3 2 1

10 9 8 7 6 5 4 3 2 1

HOUSING SIZE	LOADED CONTACTS
4	4
6	4
6	6
8	8

PART NO FOR JACK ASSEMBLY THROUGH HOLE STANDARD VERSION					
LCP FIBER GLASS FILLED 94V0 COLOR BLACK					
NO KEY	TOOLED	KEY	TOOLED		TOOLED
NO RIB	TOOLED	NO RIB	TOOLED		TOOLED
95503-2441	X				
95503-2641	X				
95503-2661	X				
95503-2881	X	95503-2882	X		

TRAY PACKAGING
SEE PACKAGING SPEC PK-95003 SHEET 1

PART NO FOR JACK ASSEMBLY THROUGH HOLE SHORT VERSION					
LCP FIBER GLASS FILLED 94V0 COLOR BLACK					
NO KEY	TOOLED	KEY	TOOLED		TOOLED
NO RIB	TOOLED	NO RIB	TOOLED		TOOLED
95503-2884	X				

TRAY PACKAGING
SEE PACKAGING SPEC PK-95003 SHEET 1

TOOLED	<input checked="" type="checkbox"/>
NOT TOOLED	<input type="checkbox"/>

NOTES:
PLATING: SEE SHEET ONE

ADDED PLATING OPTION EC NO: IPG2012-0589 TIDRANBYRNES 2012/03/29 CHIKDASHANAN 2012/03/30 APPR: EFULAN 2012/06/28	QUALITY SYMBOLS	GENERAL TOLERANCES (UNLESS SPECIFIED)	DIMENSION STYLE	SCALE	DESIGN UNITS	THIRD ANGLE PROJECTION																		
	$\nabla=0$ $\nabla=0$	<table border="1"> <tr> <th></th> <th>mm</th> <th>INCH</th> </tr> <tr> <td>4 PLACES</td> <td>±---</td> <td>±---</td> </tr> <tr> <td>3 PLACES</td> <td>±---</td> <td>±---</td> </tr> <tr> <td>2 PLACES</td> <td>±---</td> <td>±---</td> </tr> <tr> <td>1 PLACE</td> <td>±---</td> <td>±---</td> </tr> <tr> <td>ANGULAR</td> <td colspan="2">±---°</td> </tr> </table>		mm	INCH	4 PLACES	±---	±---	3 PLACES	±---	±---	2 PLACES	±---	±---	1 PLACE	±---	±---	ANGULAR	±---°		MM ONLY	---	METRIC	<input checked="" type="checkbox"/>
		mm	INCH																					
	4 PLACES	±---	±---																					
3 PLACES	±---	±---																						
2 PLACES	±---	±---																						
1 PLACE	±---	±---																						
ANGULAR	±---°																							
DRAWN BY: TMARTIN CHECKED BY: FCARABETTA APPROVED BY: KNOLLER DATE: 2005/06/16	DRAFT WHERE APPLICABLE MUST REMAIN WITHIN DIMENSIONS	TITLE: LOW PROFILE T/E JACK THROUGH HOLE VERS. MOLEX INCORPORATED DOCUMENT NO. SD-95503-003 SHEET NO. 4 OF 5																						
REV	DESCRIPTION	SIZE	THIS DRAWING CONTAINS INFORMATION THAT IS PROPRIETARY TO MOLEX INCORPORATED AND SHOULD NOT BE USED WITHOUT WRITTEN PERMISSION																					

9 8 7 6 5 4 3 2 1