

Excellent Integrated System Limited

Stocking Distributor

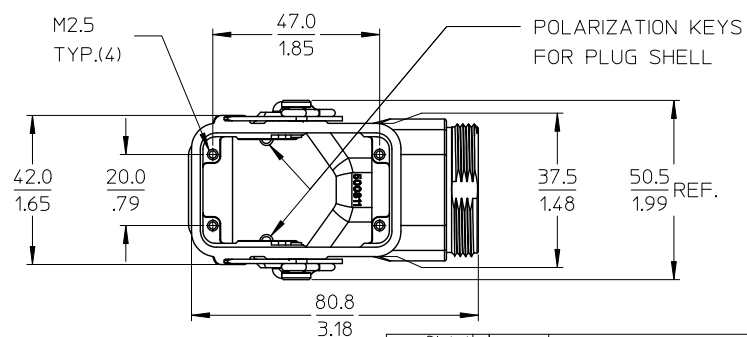
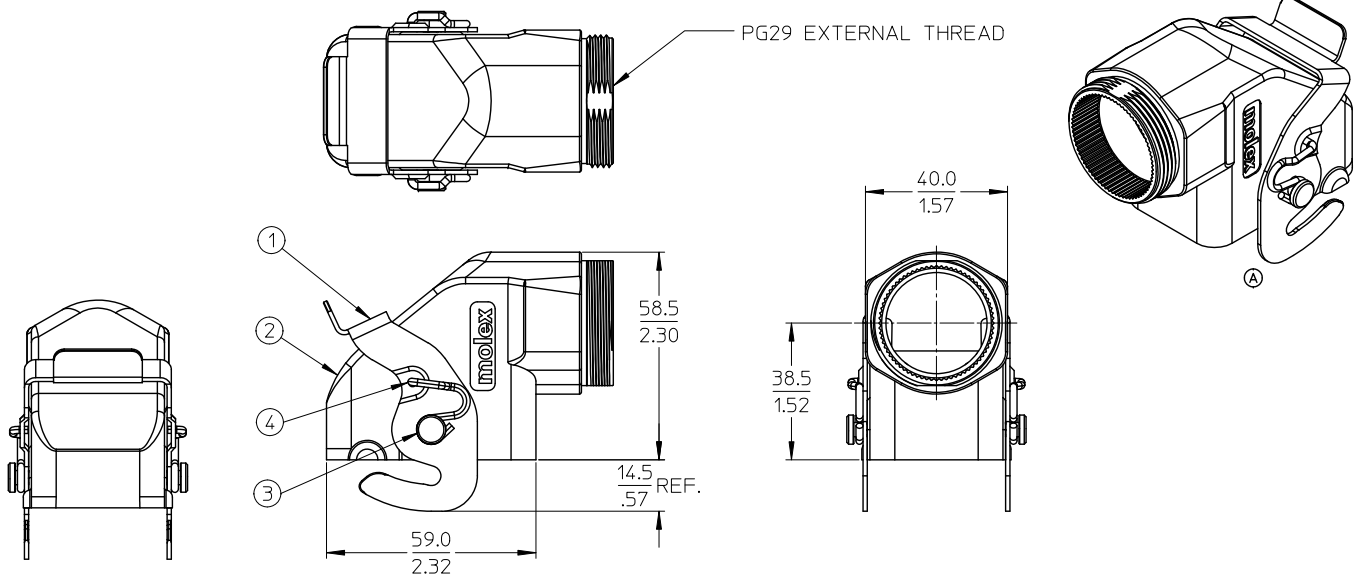
Click to view price, real time Inventory, Delivery & Lifecycle Information:

[Molex Connector Corporation](#)
[5008111010](#)

For any questions, you can email us directly:

sales@integrated-circuit.com

J
I
H
G
F
E
D
C
B
A



NOTES:
 APPLICABLE PLUG SHELL ASS'Y
 1. TYPE A: 500810-0000
 2. TYPE B: 500810-0010
 APPLICABLE END BELL CAP SET
 58550-****

NO.	PART NAME	QTY.	MATERIAL	FINISH
①	LEVER	1	STEEL	PAINT
②	PLUG COVER	1	ALUMINUM ALLOY	---
③	COVER LOCKING PIN	2	STAINLESS STEEL	---
④	LEVER SPRING	2	STAINLESS STEEL	---

UPDATE LOGO POSITION EC NO: WNA2010-05109 DRAWING NO: 200911102 CHKD: JFMURPHY 2010/01/14 APPR: JFMURPHY 2010/01/14 REV A	QUALITY SYMBOLS	GENERAL TOLERANCES (UNLESS SPECIFIED)	DIMENSION STYLE	SCALE	DESIGN UNITS	THIRD ANGLE PROJECTION
	▽=0 ▽=0	mm INCH 4 PLACES ± --- ± --- 3 PLACES ± --- ± --- 2 PLACES ± --- ± 0.012 1 PLACE ± 0.3 ± --- ANGULAR ± 3°	MM/IN	NTS	METRIC	
		DRAFT WHERE APPLICABLE MUST REMAIN WITHIN DIMENSIONS	DRAWN BY: TMOELLER CHECKED BY: RDEROSS APPROVED BY: JFMURPHY MATERIAL NO.: 5008111010 DATE: 2009/04/28 DATE: 2009/04/28 DATE: 2010/01/14	TITLE: 40P MINI HMC ASSEMBLY PLUG COVER RIGHT ANGLE MOLEX INCORPORATED DOCUMENT NO.: SD-500811-002 SHEET NO.: 1 OF 1		
			THIS DRAWING CONTAINS INFORMATION THAT IS PROPRIETARY TO MOLEX INCORPORATED AND SHOULD NOT BE USED WITHOUT WRITTEN PERMISSION			